

M4Q045-BD01-76 ebmpapst Datasheet
 sales@fansco.com
 www.fansco.com

Limited partnership · Headquarters Muldingen
 Amtsgericht (court of registration) Stuttgart · HRA 590344

General partner Elektrobau Muldingen GmbH · Headquarters Muldingen
 Amtsgericht (court of registration) Stuttgart · HRB 590142

Nominal data

| Type | M4Q045-BD01-76 | | |
|-----------------------------|-------------------|------|------|
| Motor | M4Q045-BD | | |
| Phase | | 1~ | 1~ |
| Nominal voltage | VAC | 230 | 230 |
| Frequency | Hz | 50 | 60 |
| Method of obtaining data | | me | me |
| Valid for approval/standard | | CE | CE |
| Speed (rpm) | min ⁻¹ | 1300 | 1550 |
| Power consumption | W | 29 | 26 |
| Power output | W | 5 | 5 |
| Current draw | A | 0.19 | 0.17 |
| Rated torque | Ncm | 3 | 3 |
| Mean starting torque | Ncm | 2.2 | 1.7 |
| Min. ambient temperature | °C | -30 | -30 |
| Max. ambient temperature | °C | 40 | 40 |
| Starting current | A | 0.25 | 0.22 |

ml = Max. load · me = Max. efficiency · fa = Free air · cs = Customer specification · ce = Customer equipment
 Subject to change

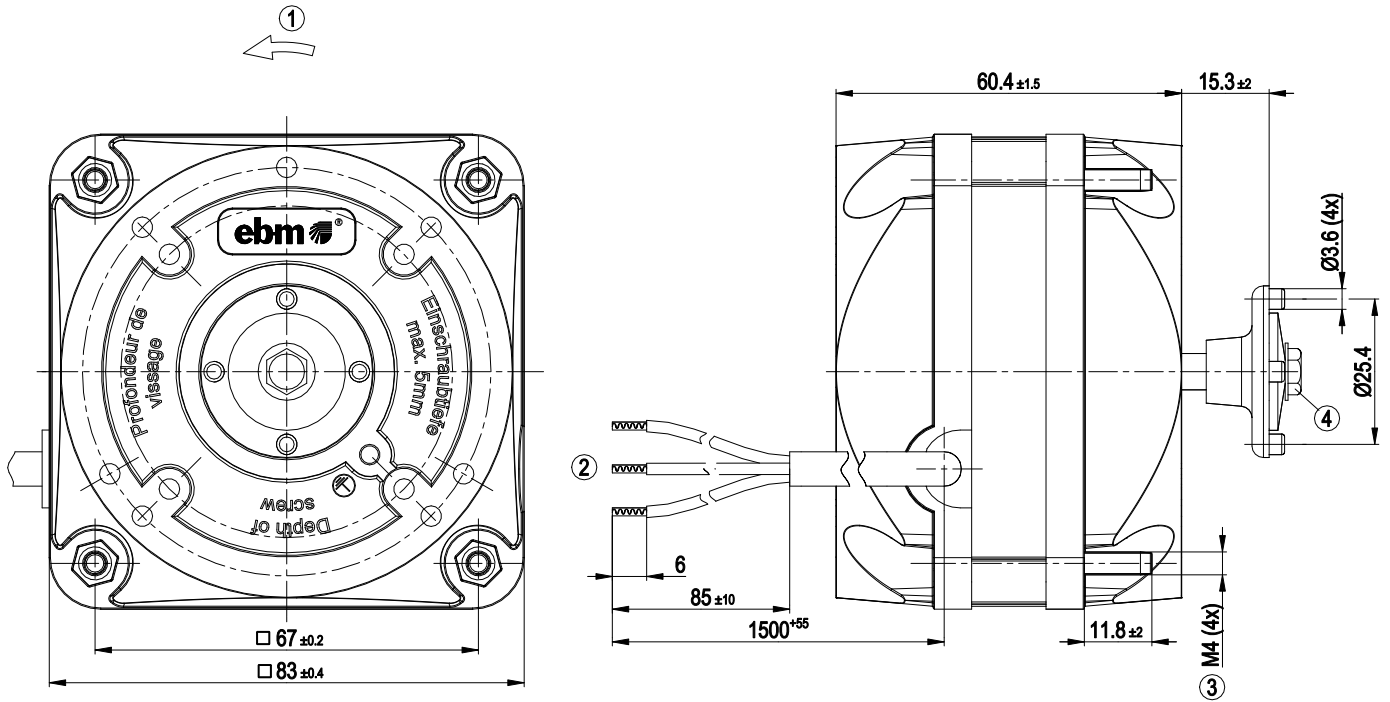


Technical description

| | |
|--|--|
| Weight | 0.9 kg |
| Fan size | 45 mm |
| Bearing shield material | Die-cast aluminum |
| Direction of rotation | Counterclockwise, viewed toward rotor |
| Degree of protection | IP42 |
| Insulation class | "B" |
| Max. permitted ambient temp. for motor (transport/storage) | + 80 °C |
| Min. permitted ambient temp. for motor (transport/storage) | - 40 °C |
| Installation position | Any, preferably horizontal |
| Condensation drainage holes | None |
| Mode | S1 |
| Motor bearing | Calotte bearing |
| Touch current according to IEC 60990 (measuring circuit Fig. 4, TN system) | < 0.75 mA |
| Motor protection | Impedance protection |
| With cable | Lateral |
| Protection class | I (with customer connection of protective earth) |
| Conformity with standards | EN 60335-1; CE |
| Approval | EAC; VDE |

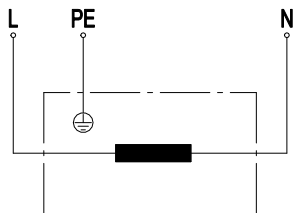


Product drawing



| | |
|---|--|
| 1 | Direction of rotation counterclockwise, viewed toward shaft end |
| 2 | Cable PVC 3G 0.5 mm ² , 3x crimped splices |
| 3 | Tightening torque for nut for fastening fan housing or guard grille 2.3 Nm |
| 4 | Tightening torque for screw for fastening fan impeller 1.4 Nm |

Connection diagram



| | | | | | |
|---|------|----|--------------|---|-------|
| L | blue | PE | green/yellow | N | brown |
|---|------|----|--------------|---|-------|



Curves: Speed (rpm)

