

M4E074-EI15-16 ebmpapst Datasheet

sales@fansco.com

www.fansco.com

Limited partnership · Headquarters Muldingen  
 County court Stuttgart · HRA 590344

General partner Elektrobau Muldingen GmbH · Headquarters Muldingen  
 County court Stuttgart · HRB 590142

## Nominal data

Type	M4E074-EI15-16	
Motor	M4E074-EI	
Phase		1~
Nominal voltage	VAC	230
Frequency	Hz	50
Type of data definition		me
Valid for approval / standard		CE
Speed	min <sup>-1</sup>	1350
Power input	W	153
Power output	W	92
Motor capacitor	µF	5
Capacitor voltage	VDB	400
Min. ambient temperature	°C	-25
Max. ambient temperature	°C	45
Starting current	A	1.45

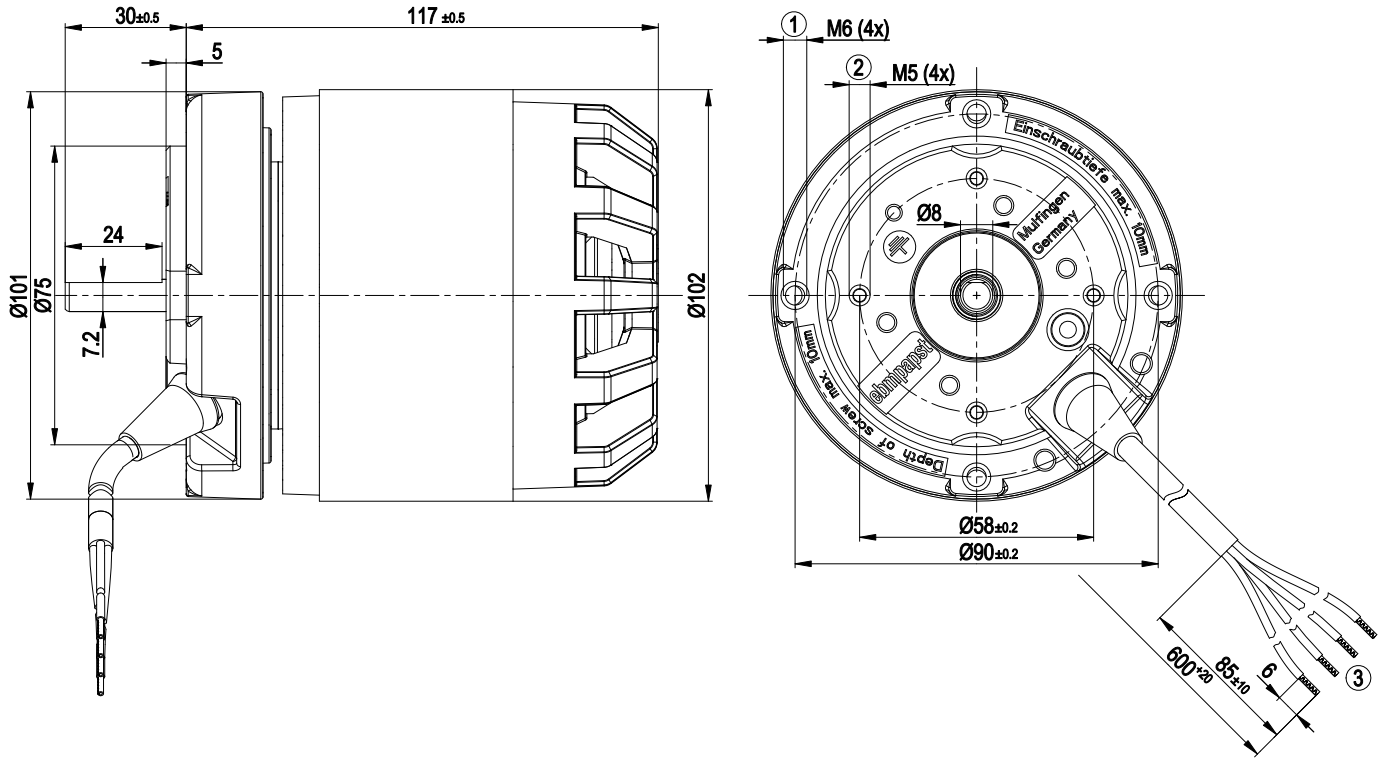
ml = Max. load · me = Max. efficiency · fa = Running at free air · cs = Customer specs · cu = Customer unit  
 Subject to alterations



### Technical features

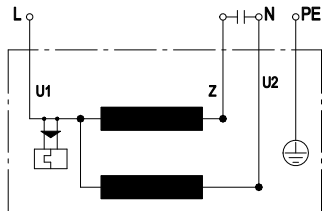
<b>Mass</b>	3.2 kg
<b>Size</b>	74 mm
<b>Surface of rotor</b>	Thick layer passivated
<b>Direction of rotation</b>	Clockwise, seen on rotor
<b>Type of protection</b>	IP 00
<b>Insulation class</b>	"B"
<b>Humidity class</b>	F0
<b>Max. permissible ambient motor temp. (transp./ storage)</b>	+ 80 °C
<b>Min. permissible ambient motor temp. (transp./storage)</b>	- 40 °C
<b>Mounting position</b>	Any
<b>Condensate discharge holes</b>	None, open rotor
<b>Operation mode</b>	S1
<b>Motor bearing</b>	Ball bearing
<b>Touch current acc. IEC 60990 (measuring network Fig. 4, TN system)</b>	< 0.75 mA
<b>Motor protection</b>	Thermal overload protector (TOP) wired internally
<b>Protection class</b>	I (if protective earth is connected by customer)
<b>Product conforming to standard</b>	EN 60335-1; CE

Product drawing



1	Depth of screw max. 10 mm
2	Depth of screw max. 6 mm
3	Connection line PVC 4G 0.5 mm <sup>2</sup> , 4x brass lead tips crimped

Connection screen



U1	blue	Z	brown	U2	black
PE	green/yellow				



## Charts: Speed

