

M4E068-DF01-73 ebmpapst Datasheet  
 sales@fansco.com  
 www.fansco.com

Limited partnership · Headquarters Muldingen  
 County court Stuttgart · HRA 590344

General partner Elektrobau Muldingen GmbH · Headquarters Muldingen  
 County court Stuttgart · HRB 590142

## Nominal data

<b>Type</b>	<b>M4E068-DF01-73</b>	
<b>Motor</b>	<b>M4E068-DF</b>	
Phase		1~
Nominal voltage	VAC	230
Frequency	Hz	50
Type of data definition		ml/cu
Valid for approval / standard		CE
Speed	min <sup>-1</sup>	1295
Power input	W	88
Power output	W	42
Current draw	A	0.4
Motor capacitor	µF	2.5
Capacitor voltage	VDB	450
Capacitor standard		P0 (CE)
Min. back pressure	Pa	100
Min. ambient temperature	°C	-25
Max. ambient temperature	°C	45
Starting current	A	0.7

ml = Max. load · me = Max. efficiency · fa = Running at free air · cs = Customer specs · cu = Customer unit  
 Subject to alterations

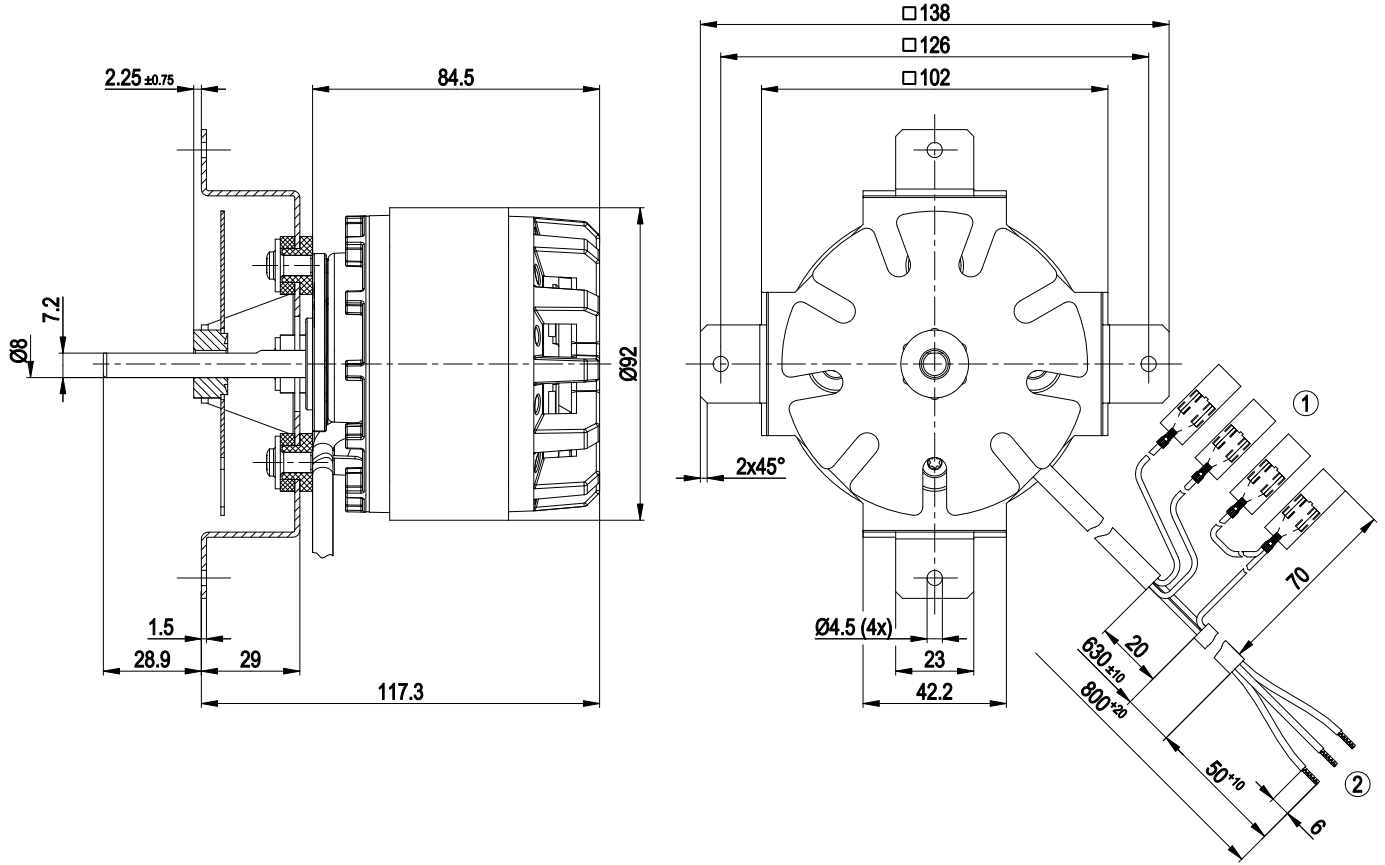


## Technical features

Mass	2 kg
Size	68 mm
Surface of rotor	Coated in black
Direction of rotation	Counter-clockwise, seen on rotor
Type of protection	IP 00
Insulation class	"B"
Humidity class	F0
Max. permissible ambient motor temp. (transp./ storage)	+ 80 °C
Min. permissible ambient motor temp. (transp./storage)	- 40 °C
Mounting position	Any
Condensate discharge holes	None, open rotor
Operation mode	S1
Motor bearing	Ball bearing
Touch current acc. IEC 60990 (measuring network Fig. 4, TN system)	< 0.75 mA
Motor protection	Thermal cut-out, manual reset
Protection class	I (if protective earth is connected by customer)
Product conforming to standard	EN 60335-1



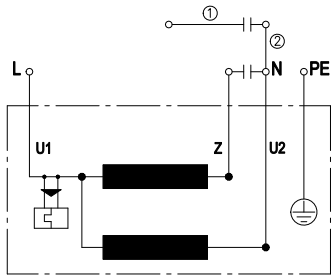
Product drawing



- 1 Connection line PVC AWG20, 4x threaded pin 6.3x0.8 with connector housing
- 2 Connection line PVC AWG20, 3x lead tips crimped



## Connection screen



1	brown (series capacitor)
2	white (series capacitor)
U1	blue
Z	red (operating capacitor)
U2	white (operating capacitor)
PE	green/yellow

## Charts: Speed

