

M4E068-CF01-39 ebmpapst Datasheet
 sales@fansco.com
 www.fansco.com

Limited partnership · Headquarters Muldingen
 County court Stuttgart · HRA 590344

General partner Elektrobau Muldingen GmbH · Headquarters Muldingen
 County court Stuttgart · HRB 590142

Nominal data

Type	M4E068-CF01-39	
Motor	M4E068-CF	
Phase		1~
Nominal voltage	VAC	230
Frequency	Hz	50
Type of data definition		me
Valid for approval / standard		CE
Speed (rpm)	min ⁻¹	1250
Power input	W	68
Power output	W	28
Current draw	A	0.33
Rated torque	Ncm	23
Medium start-up torque	Ncm	19
Motor capacitor	µF	2
Capacitor voltage	VDB	400
Max. ambient temperature	°C	40
Starting current	A	0.45

ml = Max. load · me = Max. efficiency · fa = Running at free air · cs = Customer specs · cu = Customer unit
 Subject to alterations

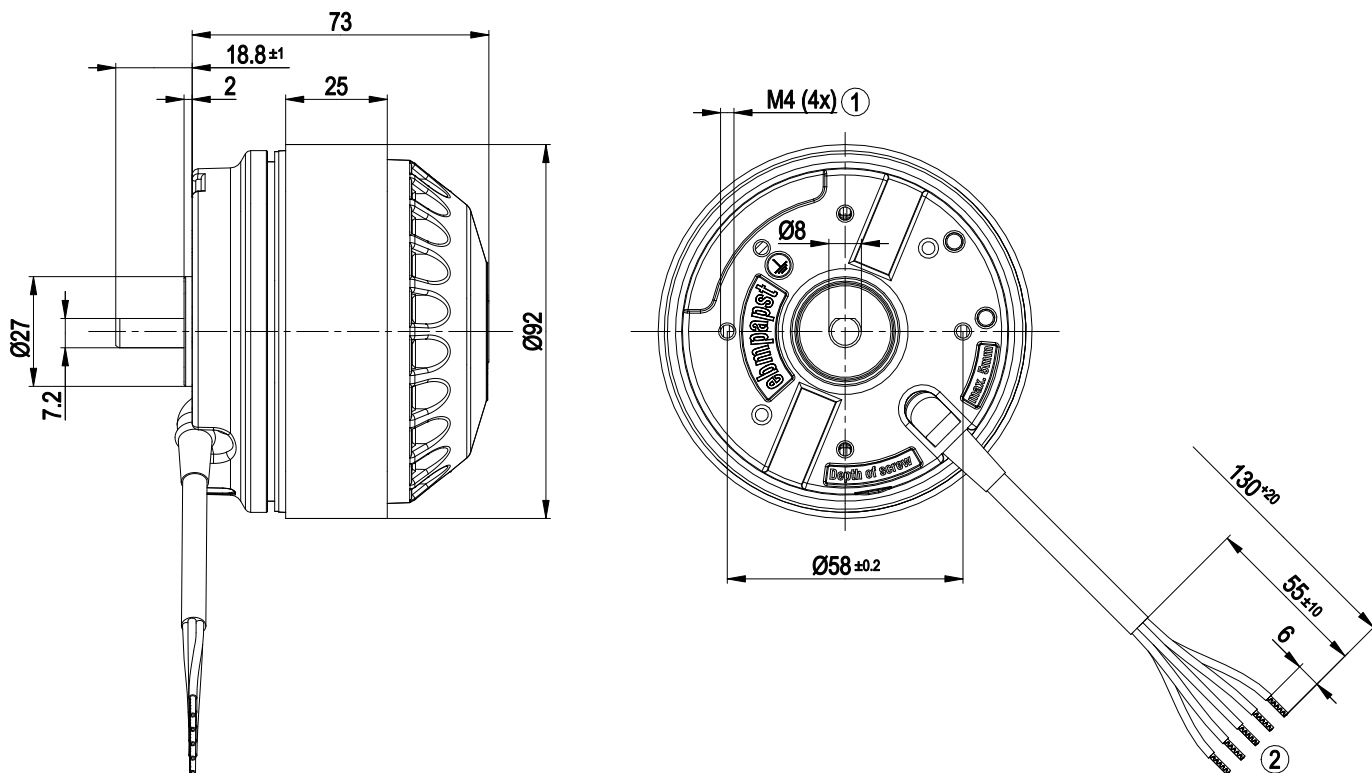


Technical features

Mass	1.5 kg
Size	68 mm
Surface of rotor	Coated in black
Direction of rotation	Right and left
Type of protection	IP 44; Depending on installation and position
Insulation class	"B"
Humidity (F)/environmental protection class (H)	H0+
Max. permissible ambient motor temp. (transp./ storage)	+ 70 °C
Min. permissible ambient motor temp. (transp./storage)	- 40 °C
Mounting position	Any
Condensate discharge holes	None
Operation mode	S1
Motor bearing	Ball bearing with anti-freezing grease
Touch current acc. IEC 60990 (measuring network Fig. 4, TN system)	< 0.75 mA
Cable exit	Variable
Protection class	I (if protective earth is connected by customer)
Product conforming to standard	EN 60335-1, motor does not have factory-installed overheating protection
Approval	EAC

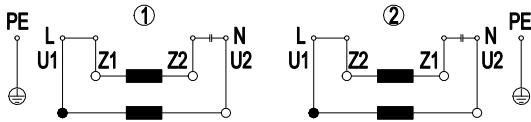


Product drawing



- | | |
|---|---|
| 1 | Connection line PVC 5G x 0.5 mm ² ; 5x brass lead tips crimped |
| 2 | Depth of screw max. 5 mm |

Connection screen



Single-phase AC motor with operating capacitor

1	Clockwise operation
2	Counter-clockwise operation
U1	black
U2	grey
Z1	blue
Z2	brown
PE	green/yellow

Charts: Speed (rpm)

