

M4E068-BF92-60 ebmpapst Datasheet

sales@fansco.com

www.fansco.com

Limited partnership · Headquarters Muldingen  
 County court Stuttgart · HRA 590344

General partner Elektrobau Muldingen GmbH · Headquarters Muldingen  
 County court Stuttgart · HRB 590142

## Nominal data

Type	M4E068-BF92-60	
Motor	M4E068-BF	
Phase		1~
Nominal voltage	VAC	110
Frequency	Hz	60
Type of data definition		ml
Valid for approval / standard		CE
Speed	min <sup>-1</sup>	800
Power input	W	40
Power output	W	8
Current draw	A	0.37
Motor capacitor	µF	5
Capacitor voltage	VDB	250
Capacitor standard		P2 (CE)
Min. ambient temperature	°C	-25
Max. ambient temperature	°C	40
Starting current	A	0.38

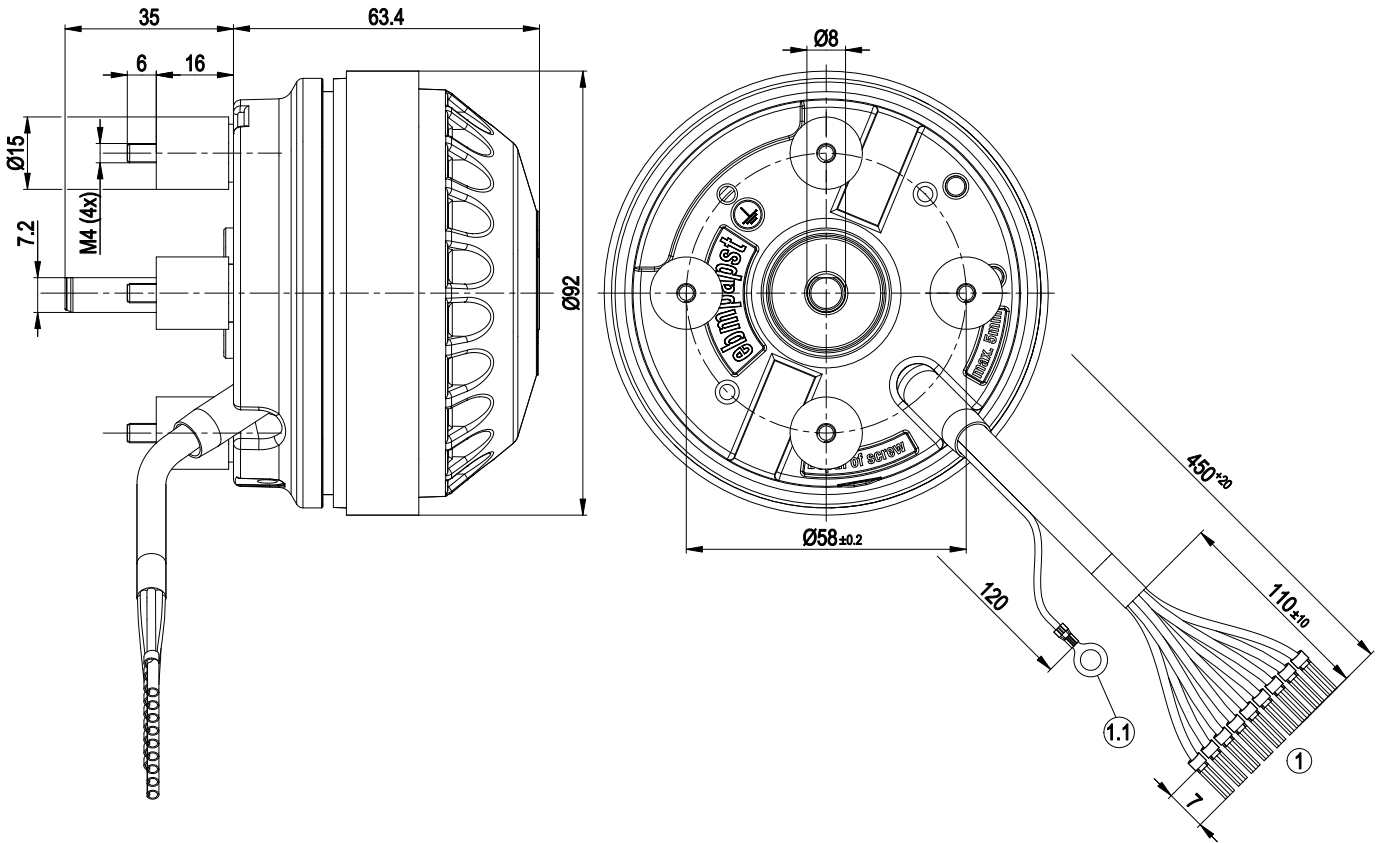
ml = max. load · me = max. efficiency · fa = running at free air · cs = customer specs · cu = customer unit  
 Subject to alterations



### Technical features

<b>Mass</b>	1 kg
<b>Size</b>	68 mm
<b>Surface of rotor</b>	Coated in black
<b>Direction of rotation</b>	Clockwise, seen on rotor
<b>Type of protection</b>	IP 44
<b>Insulation class</b>	"B"
<b>Humidity class</b>	F1-2
<b>Max. permissible ambient motor temp. (transp./ storage)</b>	+ 80 °C
<b>Min. permissible ambient motor temp. (transp./storage)</b>	- 40 °C
<b>Mounting position</b>	Any
<b>Condensate discharge holes</b>	Rotor-side
<b>Operation mode</b>	S1
<b>Motor bearing</b>	Ball bearing
<b>Speed steps</b>	5
<b>Touch current acc. IEC 60990 (measuring network Fig. 4, TN system)</b>	< 0.75 mA
<b>Motor protection</b>	Thermal overload protector (TOP) wired internally
<b>Cable exit</b>	Variable
<b>Protection class</b>	I (if protective earth is connected by customer)
<b>Product conforming to standard</b>	EN 60335-1; CE

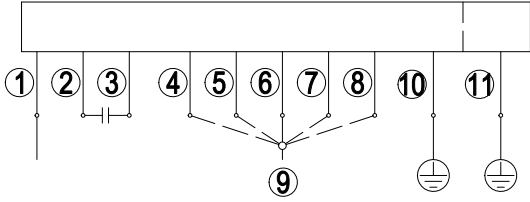
Product drawing



- 1 Connection line PVC AWG 20, 9x crimped core-end sleeve
- 1.1 Connection line PVC AWG20 green/yellow, 1x contact stud crimped



Connection screen



Note: Fast speed (step V); slow speed (step I)

1	blue (N)	2	brown (capacitor)	3	yellow (capacitor)
4	Step I orange	5	Step II grey	6	Step III red
7	Step IV white	8	Step V black	9	L1
10	green/yellow (PE)	11	green/yellow (PE)		

Charts: Speed

