

M3G074-CF04-20 ebmpapst Datasheet

sales@fansco.com

www.fansco.com

Limited partnership · Headquarters Muldingen
County court Stuttgart · HRA 590344General partner Elektrobau Muldingen GmbH · Headquarters Muldingen
County court Stuttgart · HRB 590142**Nominal data**

Type	M3G074-CF04-20	
Motor	M3G074-CF	
Phase		1~
Nominal voltage	VAC	230
Nominal voltage range	VAC	200 .. 240
Frequency	Hz	50/60
Type of data definition		cs
State		prelim.
Speed (rpm)	min ⁻¹	1400
Min. ambient temperature	°C	-25
Max. ambient temperature	°C	40

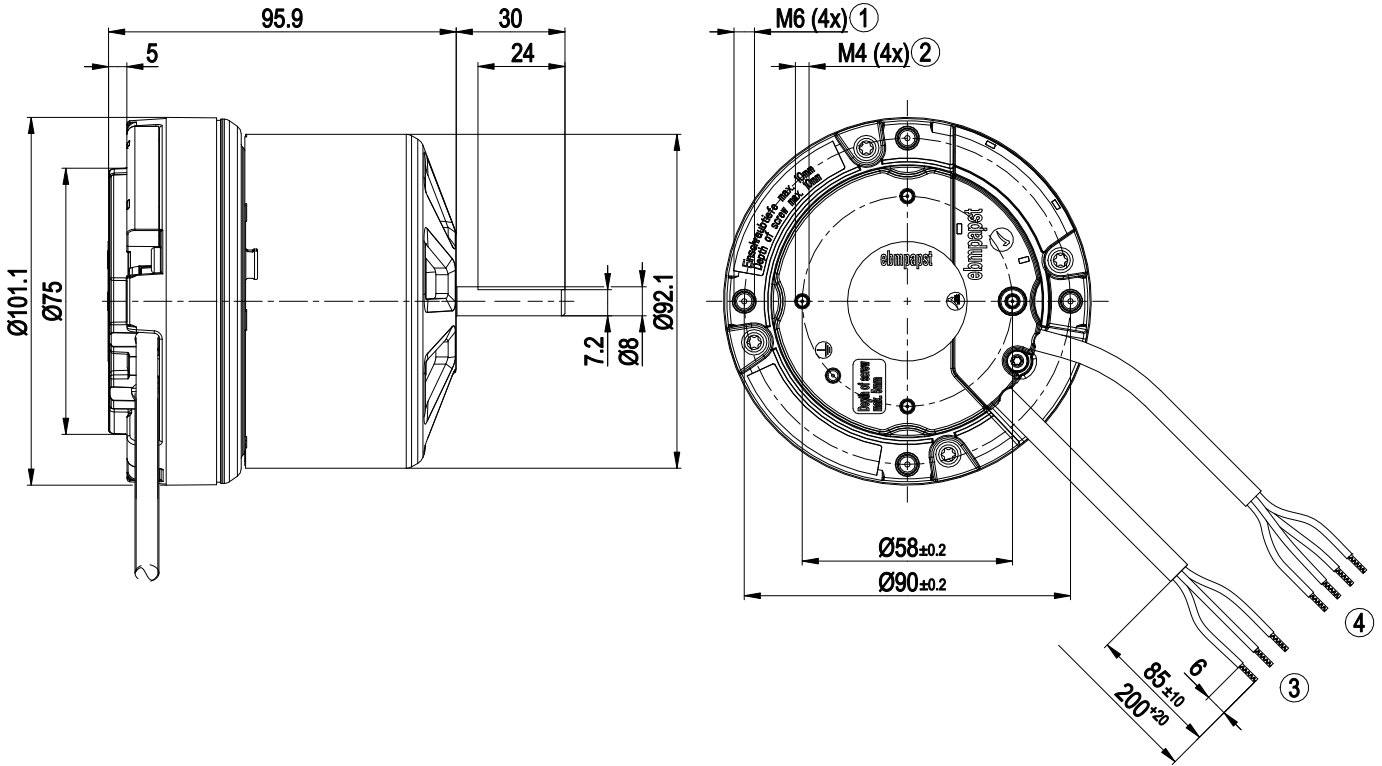
ml = Max. load · me = Max. efficiency · fa = Running at free air · cs = Customer specs · cu = Customer unit
Subject to alterations

Technical features

Mass	1.7 kg
Motor size	74
Surface of rotor	Galvanised
Direction of rotation	Clockwise, seen on rotor
Type of protection	IP54
Insulation class	"B"
Humidity (F) / environmental protection class (H)	H1+
Max. permissible ambient motor temp. (transp./ storage)	+ 80 °C
Min. permissible ambient motor temp. (transp./storage)	- 40 °C
Mounting position	Any
Condensation drainage holes	None, open rotor
Operation mode	S1
Motor bearing	Ball bearing
Technical features	<ul style="list-style-type: none"> - Output 10 VDC, max. 10 mA - Tach output - Output limit - Motor current limit - Soft start - Control input 0-10 VDC / PWM - Control interface with SELV potential safely disconnected from the mains - Overvoltage detection - Over-temperature protected electronics / motor - Line undervoltage detection
Touch current acc. IEC 60990 (measuring network Fig. 4, TN system)	<= 3.5 mA
Motor protection	Electronic motor protection
Cable exit	Variable
Protection class	I (if protective earth is connected by customer)
Product conforming to standard	CE



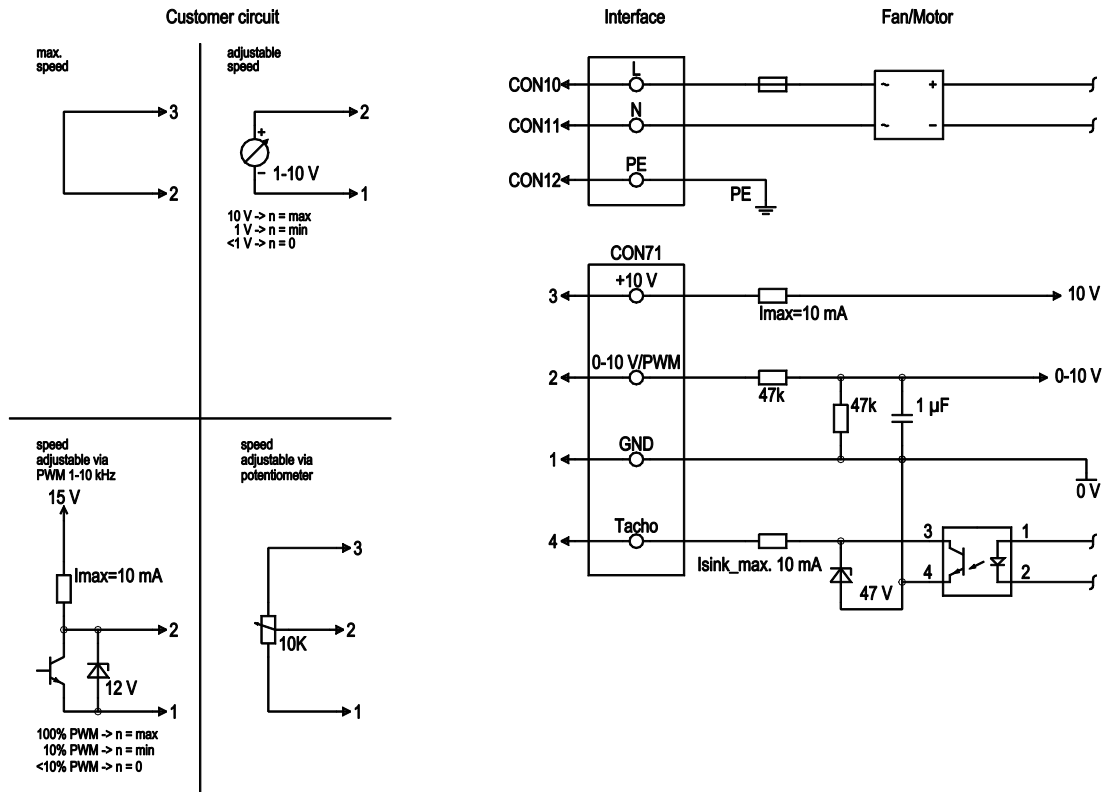
Product drawing



1	Thread reach max. 10 mm
2	Thread reach max. 5 mm
3	Connection line PVC 3G AWG20, 3x lead tips crimped
4	Connection line PVC 4x AWG22, 4x lead tips crimped



Connection screen



No.	Conn.	Designation	Colour	Function / assignment
	CON10	L	black	Power supply, phase, see type plate for voltage range
	CON11	N	blue	Power supply, neutral conductor, see type plate for voltage range
	CON12	PE	green/yellow	Protective earth
	2	0- 10V PWM	yellow	Control input 0-10 V or PWM, impedance 100 kΩ, SELV, parametrisable curve
	4	Tach	white	Tach output: Open collector, 1 pulse/revolution, SELV
	3	+10 V	red	Voltage output, power supply for external devices (e.g. potentiometers), SELV
	1	GND	blue	Signal ground for control interface, SELV



Charts: Speed (rpm)

