

M3G055-CF19-17 ebmpapst Datasheet
 sales@fansco.com
 www.fansco.com

Limited partnership · Headquarters Muldingen
 County court Stuttgart · HRA 590344

General partner Elektrobau Muldingen GmbH · Headquarters Muldingen
 County court Stuttgart · HRB 590142

Nominal data

Type	M3G055-CF19-17	
Motor	M3G055-CF	
Phase		1~
Nominal voltage	VAC	230
Nominal voltage range	VAC	200 .. 240
Frequency	Hz	50/60
Type of data definition		ml
Speed (rpm)	min ⁻¹	2530
Power input	W	94
Power output	W	72
Current draw	A	0.8
Rated torque	Ncm	27
Min. ambient temperature	°C	-25
Max. ambient temperature	°C	45

ml = Max. load · me = Max. efficiency · fa = Running at free air · cs = Customer specs · cu = Customer unit
 Subject to alterations

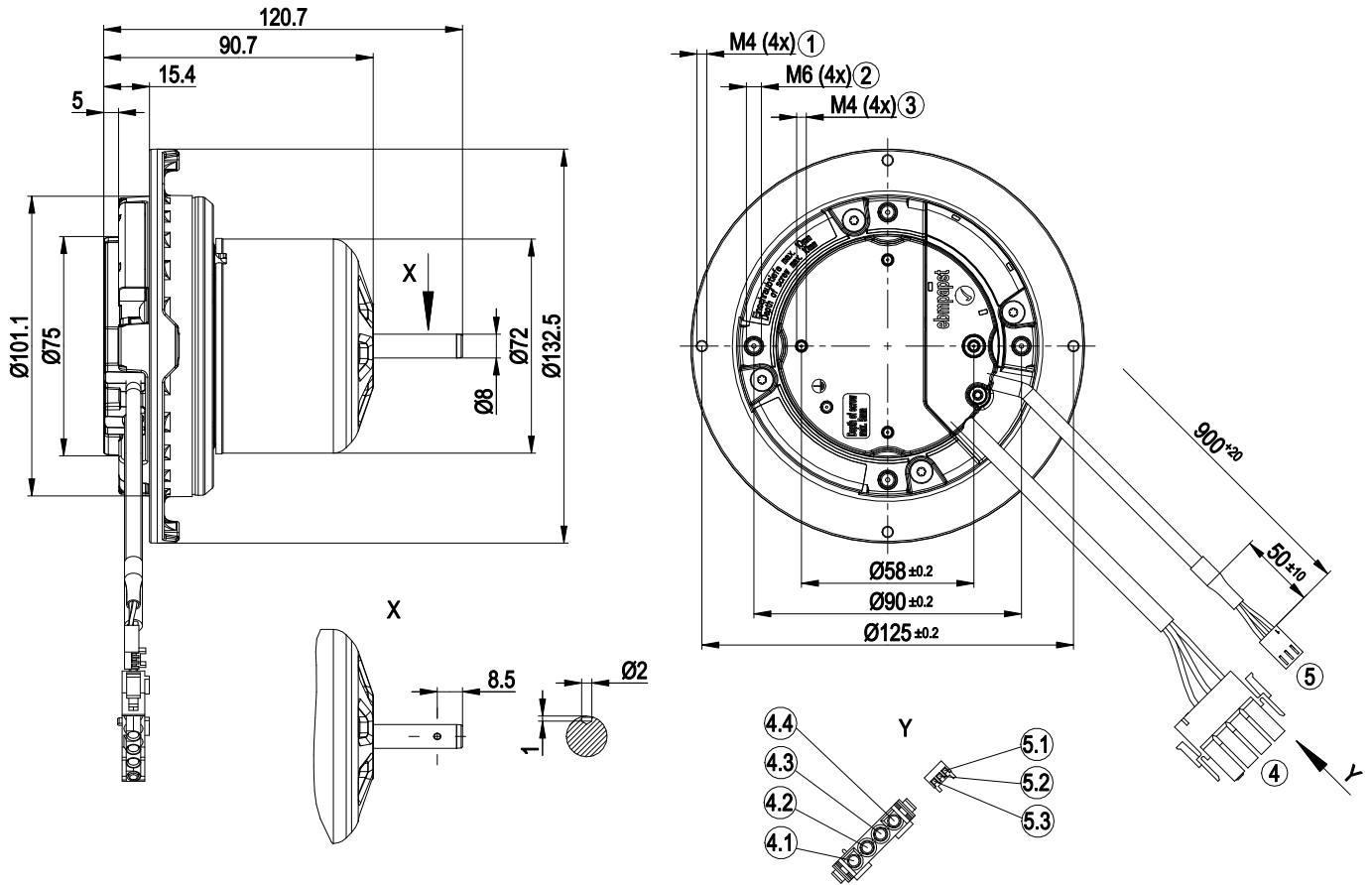


Technical features

Mass	1.3 kg
Motor size	55
Surface of rotor	Thick layer passivated
Direction of rotation	Clockwise, seen on rotor
Protection rating	IP54
Insulation class	"B"
Humidity (F) / environmental protection class (H)	H1
Max. permissible ambient motor temp. (transp./ storage)	+ 80 °C
Min. permissible ambient motor temp. (transp./storage)	- 40 °C
Mounting position	Any
Condensation drainage holes	None, open rotor
Operation mode	S1
Motor bearing	Ball bearing
Technical features	<ul style="list-style-type: none"> - Tach output - Output limit - Motor current limit - Soft start - Control input 0-10 VDC / PWM - Over-temperature protected motor
Touch current acc. IEC 60990 (measuring network Fig. 4, TN system)	<= 0.25 mA
Motor protection	Electronic motor protection
Cable exit	Variable
Protection class	I (if protective earth is connected by customer)
Product conforming to standard	EN 60335-1; CE



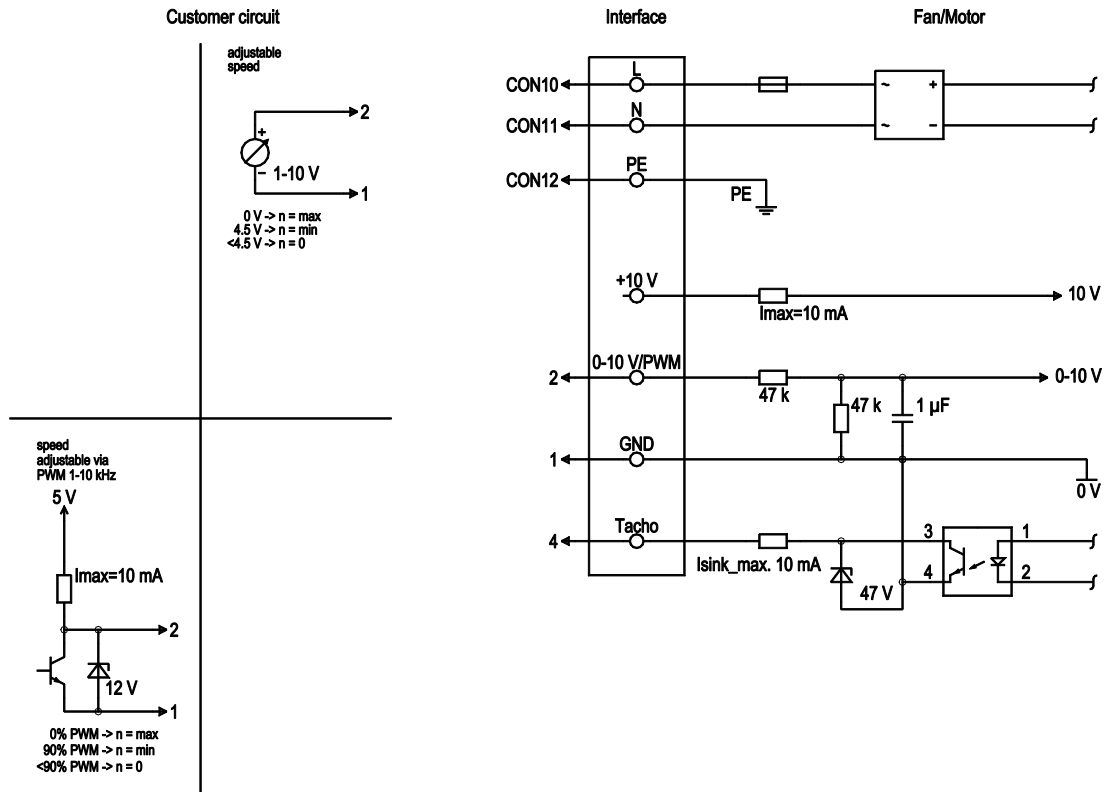
Product drawing



1	Thread reach max. 10 mm
2	Thread reach max. 10 mm
3	Thread reach max. 5 mm
4	Connection line PVC AWG22 4-pole connector housing TE 350779-5, 1x plug pin TE 350654-1, 2x plug pin TE 350218-1
4.1	Coding pin
4.2	PE (green/yellow)
4.3	N (blue)
4.4	L (black)
5	Connection line PVC AWG20 3-pole connector housing Molex 22-01-3037, 3x plug pin Molex 08-50-0031
5.1	0-10 V PWM (yellow)
5.2	GND (blue)
5.3	Tach (white)



Connection screen



No.	Conn.	Designation	Colour	Function / assignment
	CON10	L	black	Mains connection, power supply, phase, see type plate for voltage range
	CON11	N	blue	Mains connection, power supply, neutral conductor, see type plate for voltage range
	CON12	PE	green/yellow	Earth connection
	2	0- 10V PWM	yellow	0-10 V/PWM control input, R _i =100 kΩ, SELV
	4	Tach	white	Speed monitoring output, open collector, 1 pulse per revolution, I _{sink max} = 10 mA, SELV
	1	GND	blue	Signal ground for control interface, SELV



Charts: Speed (rpm)

