

M3G055-CF17-41 ebmpapst Datasheet  
 sales@fansco.com  
 www.fansco.com

Limited partnership · Headquarters Muldingen  
 County court Stuttgart · HRA 590344

General partner Elektrobau Muldingen GmbH · Headquarters Muldingen  
 County court Stuttgart · HRB 590142

## Nominal data

|                          |                       |           |
|--------------------------|-----------------------|-----------|
| <b>Type</b>              | <b>M3G055-CF17-41</b> |           |
| <b>Motor</b>             | <b>M3G055-CF</b>      |           |
| Phase                    |                       | 1~        |
| Nominal voltage          | VAC                   | 115       |
| Nominal voltage range    | VAC                   | 90 .. 143 |
| Frequency                | Hz                    | 50/60     |
| Type of data definition  |                       | ml        |
| Speed (rpm)              | min <sup>-1</sup>     | 1540      |
| Power input              | W                     | 26        |
| Power output             | W                     | 18        |
| Current draw             | A                     | 0.46      |
| Rated torque             | Ncm                   | 11.2      |
| Min. ambient temperature | °C                    | -25       |
| Max. ambient temperature | °C                    | 60        |

ml = Max. load · me = Max. efficiency · fa = Running at free air · cs = Customer specs · cu = Customer unit  
 Subject to alterations

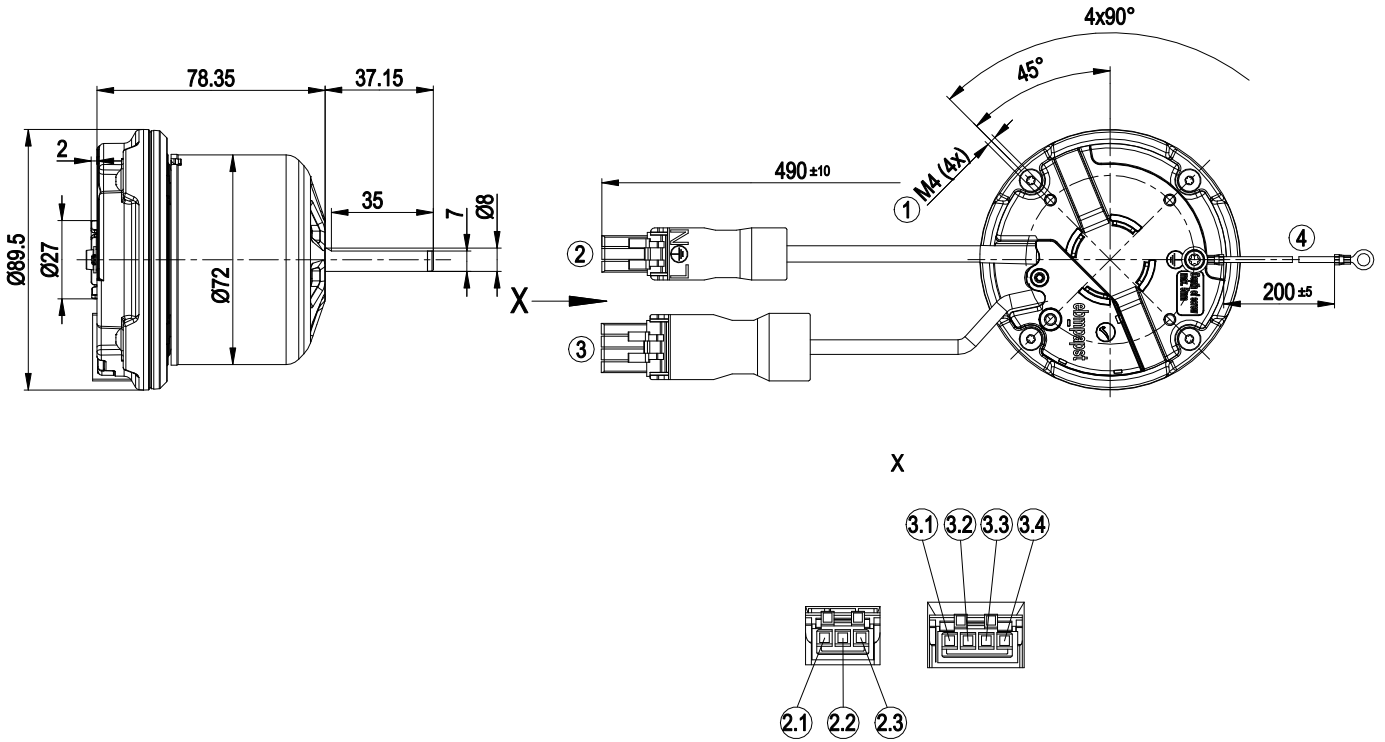


## Technical features

|  |  |
|--|--|
| Mass   | 1 kg   |
| Motor size   | 55   |
| Surface of rotor   | Thick layer passivated   |
| Material of electronics housing                                    | Die-cast aluminium   |
| Direction of rotation  | Counter-clockwise, seen on rotor   |
| Type of protection   | IP54   |
| Insulation class   | "B"  |
| Humidity (F) / environmental protection class (H)                  | H1   |
| Max. permissible ambient motor temp. (transp./ storage)            | + 80 °C  |
| Min. permissible ambient motor temp. (transp./storage)             | - 40 °C  |
| Mounting position  | Any  |
| Condensation drainage holes  | None, open rotor   |
| Operation mode   | S1   |
| Motor bearing  | Ball bearing   |
| Technical features   | <ul style="list-style-type: none"> <li>- Output 10 VDC, max. 1.1 mA</li> <li>- Tach output</li> <li>- Output limit</li> <li>- Motor current limit</li> <li>- Soft start</li> <li>- Control input 0-10 VDC / PWM</li> <li>- Control interface with SELV potential safely disconnected from the mains</li> <li>- Over-temperature protected electronics / motor</li> </ul> |
| Touch current acc. IEC 60990 (measuring network Fig. 4, TN system) | <= 3.5 mA  |
| Motor protection   | Electronic motor protection  |
| Cable exit   | Variable   |
| Protection class   | I (if protective earth is connected by customer)   |
| Product conforming to standard                                     | EN 60335-1; CE   |
| Approval   | CSA C22.2 no. 77 + CAN/CSA-E60730-1; UL 1004-7 + 60730   |



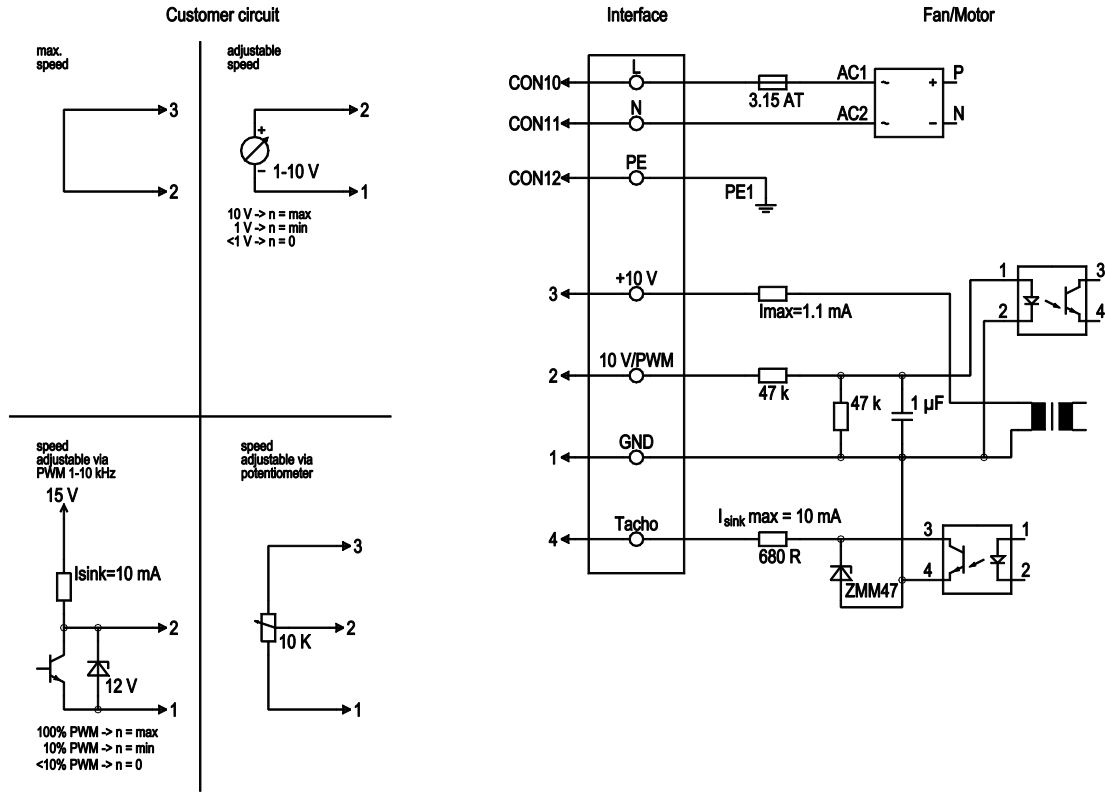
Product drawing



|     |  |
|-----|--|
| 1   | Thread reach max. 5 mm   |
| 2   | Connection line PVC AWG20, connector housing 3-pole WAGO 890-103 |
| 2.1 | L (black)  |
| 2.2 | PE (green/yellow)  |
| 2.3 | N (blue)   |
| 3   | Connection line PVC AWG22, connector housing 4-pole WAGO 890-244 |
| 3.1 | 0-10 V PWM (yellow)  |
| 3.2 | GND (blue)   |
| 3.3 | Tach (white)   |
| 3.4 | +10 V (red)  |
| 4   | Connection line AWG20, contact stud Ø4.3 crimped                 |



## Connection screen



| No. | Conn. | Designation    | Colour       | Function / assignment   |
|-----|-------|----------------|--------------|---|
|     | CON10 | L              | black        | Power supply 115 VAC, 50-60 Hz, see type plate for voltage range                              |
|     | CON11 | N              | blue         | Neutral conductor   |
|     | CON12 | PE             | green/yellow | Protective earth  |
|     | 1     | GND            | blue         | GND connection for control interface  |
|     | 2     | 0- 10V PWM     | yellow       | Control input 0-10 V or PWM, electrically isolated  |
|     | 3     | 10V/ max 1.1mA | red          | Voltage output 10 VDC 1.1 mA, electrically isolated, short-circuit-proof                      |
|     | 4     | Tach           | white        | Tach output: Open collector, 1 pulse per revolution, electrically isolated, Isink max = 10 mA |



Charts: Speed (rpm)

