

M3G055-CF01-39 ebmpapst Datasheet FansCo

sales@fansco.com

www.fansco.com

## Nominal data

Type	M3G055-CF01-39	
Motor	M3G055-CF	
Phase		1~
Nominal voltage	VAC	230
Frequency	Hz	50/60
Type of data definition		ml
Speed	min <sup>-1</sup>	2800
Power input	W	110
Power output	W	86
Current draw	A	0.88
Rated torque	Ncm	29
Min. ambient temperature	°C	-25
Max. ambient temperature	°C	40

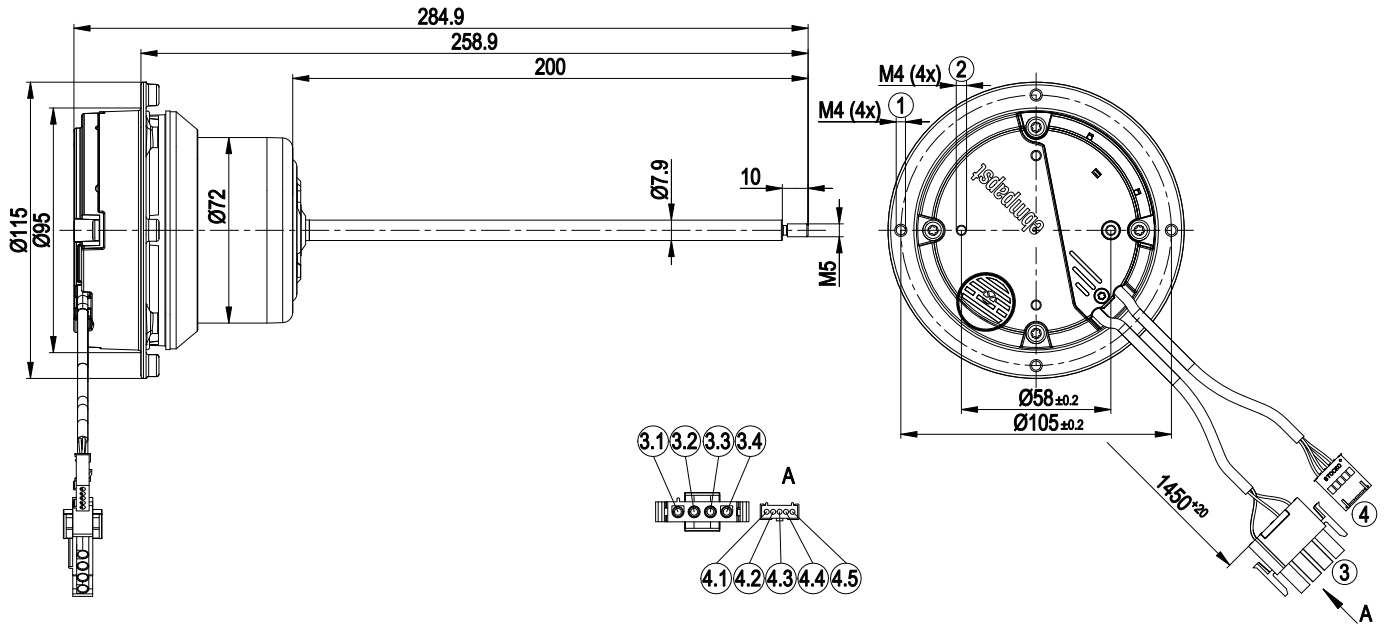
ml = Max. load · me = Max. efficiency · fa = Running at free air · cs = Customer specs · cu = Customer unit  
Subject to alterations



## Technical features

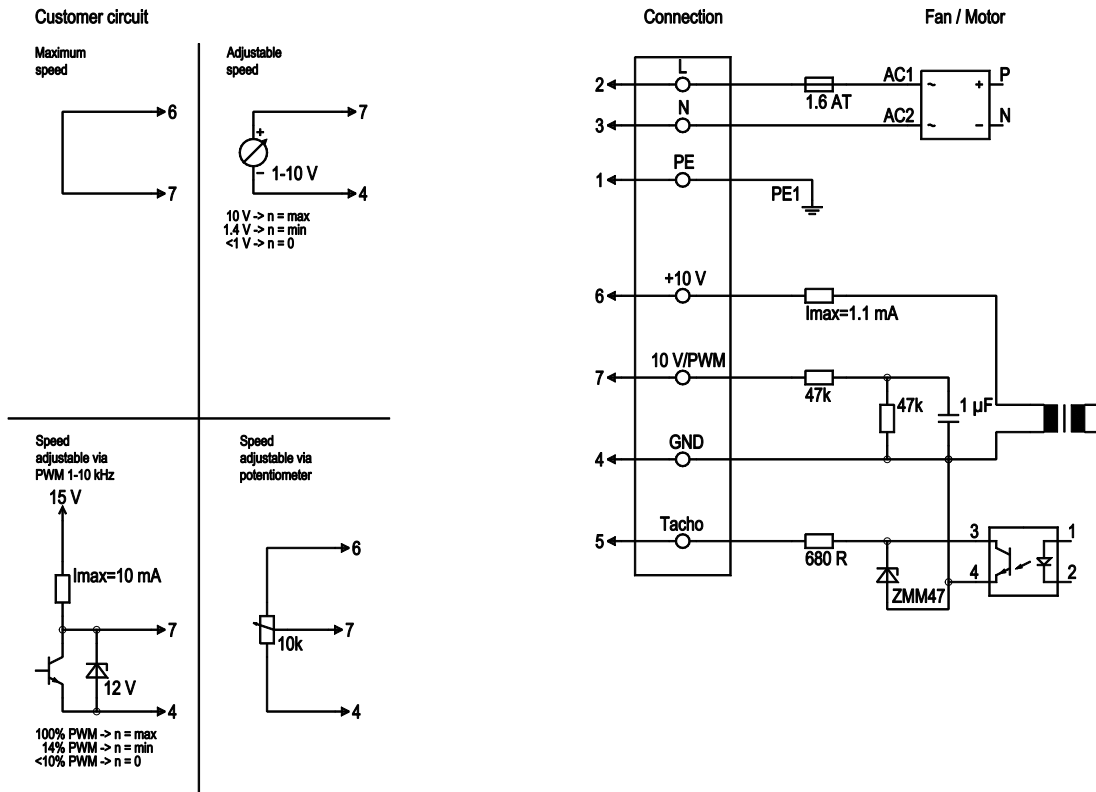
<b>Mass</b>	1.45 kg
<b>Size</b>	55 mm
<b>Material of electronics housing</b>	Die-cast aluminium
<b>Direction of rotation</b>	Counter-clockwise, seen on rotor
<b>Type of protection</b>	IP 44
<b>Insulation class</b>	"B"
<b>Humidity class</b>	F3-1
<b>Max. permissible ambient motor temp. (transp./ storage)</b>	+ 80 °C
<b>Min. permissible ambient motor temp. (transp./storage)</b>	- 40 °C
<b>Mounting position</b>	Any
<b>Condensate discharge holes</b>	Rotor-side
<b>Cooling bore / aperture</b>	Rotor-side
<b>Operation mode</b>	S1
<b>Motor bearing</b>	Ball bearing
<b>Technical features</b>	<ul style="list-style-type: none"> <li>- Output 10 VDC, max. 1.1 mA</li> <li>- Tach output</li> <li>- Motor current limit</li> <li>- Soft start</li> <li>- Control input 0-10 VDC / PWM</li> <li>- Control interface with SELV potential safely disconnected from the mains</li> </ul>
<b>EMC interference immunity</b>	Acc. to EN 61000-6-2 (industrial environment)
<b>EMC harmonics</b>	Acc. to EN 61000-3-2/3
<b>EMC interference emission</b>	Acc. to EN 61000-6-3 (household environment)
<b>Touch current acc. IEC 60990 (measuring network Fig. 4, TN system)</b>	<= 3.5 mA
<b>Electrical leads</b>	With plug
<b>Motor protection</b>	Thermal overload protector (TOP) wired internally
<b>Cable exit</b>	Variable
<b>Protection class</b>	I (if protective earth is connected by customer)
<b>Approval</b>	UL 2111; CSA C22.2 Nr.77

Product drawing



1	Depth of screw max. 5 mm
2	Depth of screw max. 5 mm
3	Connection line PVC 3G AWG20, AMP connector shell 350779-4 with 3x plug pin 926885-1
3.1	PE (green/yellow)
3.2	Not assigned
3.3	N (blue)
3.4	L (black)
4	Connection line PVC 4X AWG22, 1x connector shell Stocko MKH 5135-1-0-500
4.1	Not assigned
4.2	Tach (white)
4.3	GND (blue)
4.4	0-10V / PWM (yellow)
4.5	+10V (red)

Connection screen



No.	Conn.	Designation	Colour	Function / assignment
1	1	PE	green/yellow	Protective earth
1	2	L	brown	Power supply 230 VAC, 50/60 Hz
1	3	N	blue	Neutral conductor
2	4	GND	blue	GND - connection of the control interface
2	5	Tach	white	Tach output: Open Collector, 1pulse per revolution, galvanically isolated
2	6	10 V	red	Voltage output 10 V / 1 mA, galvanically isolated
2	7	0-10 V PWM	yellow	Control input 0-10 V or PWM, galvanically isolated



Charts: Speed

