

M3G055-BI45-11 ebmpapst Datasheet

sales@fansco.com

www.fansco.com

Limited partnership · Headquarters Mulfingen
 County court Stuttgart · HRA 590344

General partner Elektrobau Mulfingen GmbH · Headquarters Mulfingen
 County court Stuttgart · HRB 590142

Nominal data

Type	M3G055-BI45-11	
Motor	M3G055-BI	
Nominal voltage	VDC	24
Nominal voltage range	VDC	16 .. 28
Type of data definition		ml
State		prelim.
Speed	min ⁻¹	230
Power input	W	38
Power output	W	23
Current draw	A	1.6
Rated torque	Ncm	9.5
Min. ambient temperature	°C	-25
Max. ambient temperature	°C	40

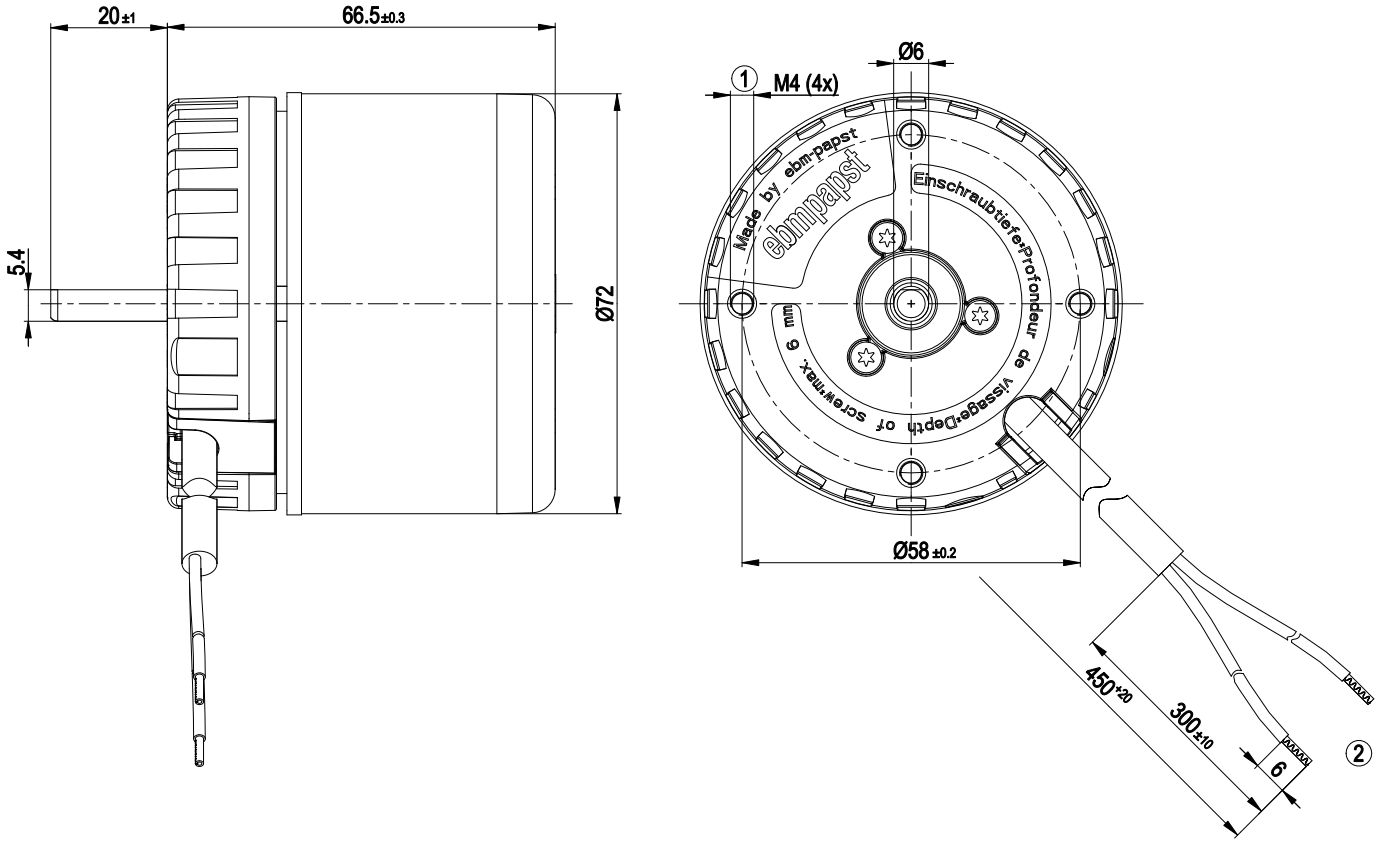
ml = Max. load · me = Max. efficiency · fa = Running at free air · cs = Customer specs · cu = Customer unit
 Subject to alterations



Technical features

Mass	0.8 kg
Size	55 mm
Surface of rotor	Coated in black
Direction of rotation	Counter-clockwise, seen on rotor
Type of protection	IP 22; Depending on installation and position
Insulation class	"B"
Max. permissible ambient motor temp. (transp./ storage)	+ 80 °C
Min. permissible ambient motor temp. (transp./storage)	- 40 °C
Mounting position	Any
Condensate discharge holes	Rotor-side
Operation mode	S1
Motor bearing	Ball bearing
Motor protection	Reverse polarity and locked-rotor protection
Cable exit	Variable
Protection class	I (if protective earth is connected by customer at the connection point of the housing)

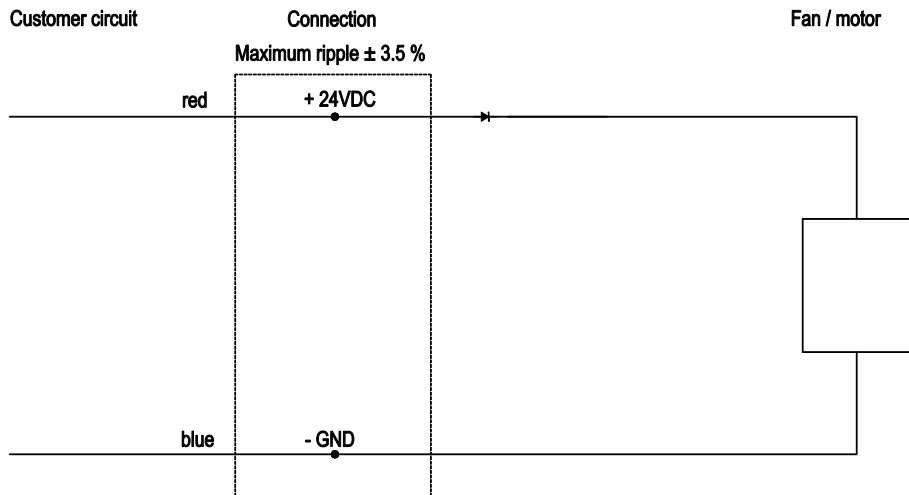
Product drawing



1	Depth of screw max. 6 mm
2	Connection line AWG20, 2x brass lead tips crimped



Connection screen



Charts: Air flow

