

M2E068-DF65-C2 ebmpapst Datasheet
 sales@fansco.com
 www.fansco.com

Nominal data

Type	M2E068-DF65-C2		
Motor	M2E068-DF		
Phase		1~	1~
Nominal voltage	VAC	230	230
Frequency	Hz	50	60
Method of obtaining data		cs	ml
Valid for approval/standard		CE	CE
Speed (rpm)	min ⁻¹	-	-
Power consumption	W	150	190
Power output	W	-	-
Current draw	A	0.66	0.85
Rated torque	Ncm	35	34
Mean starting torque	Ncm	25	25
Capacitor	µF	4	4
Capacitor voltage	VDB	400	400
Min. ambient temperature	°C	-25	-25
Max. ambient temperature	°C	-	-
Starting current	A	0.9	0.9

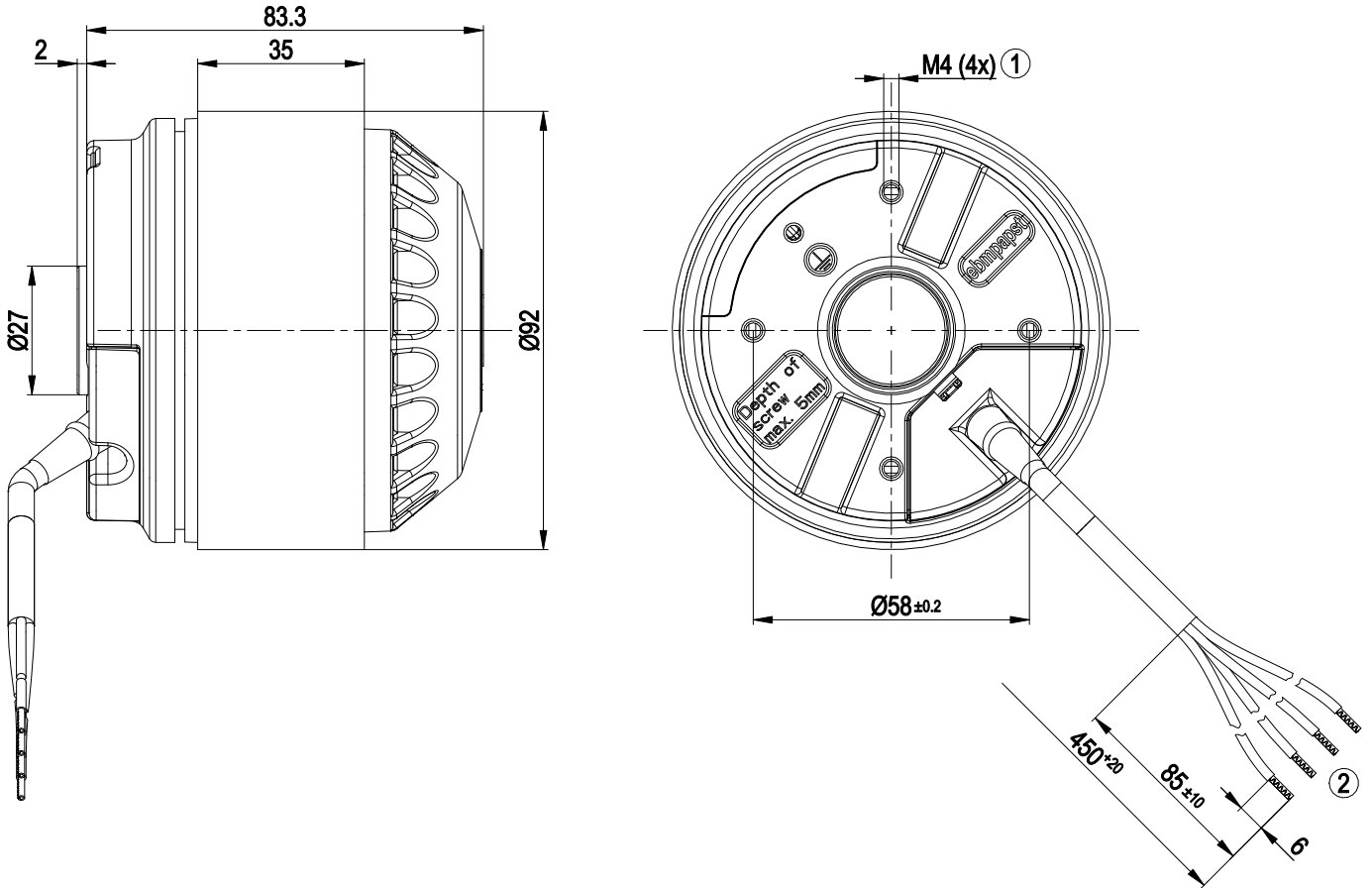
ml = Max. load · me = Max. efficiency · fa = Free air · cs = Customer specification · ce = Customer equipment
 Subject to change



Technical description

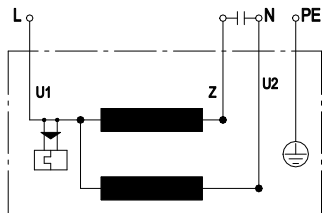
Weight	2 kg
Fan size	68 mm
Rotor surface	Unpainted
Direction of rotation	Clockwise, viewed toward rotor
Degree of protection	IP44; installation- and position-dependent as per EN 60034-5
Insulation class	"F"
Moisture (F) / Environmental (H) protection class	F1-1
Max. permitted ambient temp. for motor (transport/storage)	+ 80 °C
Min. permitted ambient temp. for motor (transport/storage)	- 40 °C
Installation position	Shaft horizontal or rotor on bottom; rotor on top on request
Condensation drainage holes	On rotor side
Mode	S1
Motor bearing	Ball bearing
Touch current according to IEC 60990 (measuring circuit Fig. 4, TN system)	< 0.75 mA
Motor protection	Temperature limiter manual reset
With cable	Variable
Protection class	I (with customer connection of protective earth)
Conformity with standards	EN 60335-1; CE

Product drawing



1	Max. clearance for screw 5 mm
2	Cable silicone 4G 0.5 mm ² , 4x crimped splices

Connection diagram



U1	blue	Z	brown	U2	black
PE	green/yellow				



Curves: Speed (rpm)

