

M2E068-DF60-B9 ebmpapst Datasheet
 sales@fansco.com
 www.fansco.com

Limited partnership · Headquarters Muldingen
 County court Stuttgart · HRA 590344

General partner Elektrobau Muldingen GmbH · Headquarters Muldingen
 County court Stuttgart · HRB 590142

Nominal data

Type	M2E068-DF60-B9		
Motor	M2E068-DF		
Phase		1~	1~
Nominal voltage	VAC	230	230
Frequency	Hz	50	60
Type of data definition		me	me
Valid for approval / standard		CE	CE
Speed	min ⁻¹	2600	3200
Power input	W	220	210
Power output	W	125	130
Current draw	A	0.97	0.92
Rated torque	Ncm	46	39
Medium start-up torque	Ncm	27	27
Motor capacitor	µF	6	6
Capacitor voltage	VDB	400	400
Capacitor standard		P0 (CE)	P0 (CE)
Min. ambient temperature	°C	-25	-25
Max. ambient temperature	°C	40	40
Starting current	A	1.7	1.7

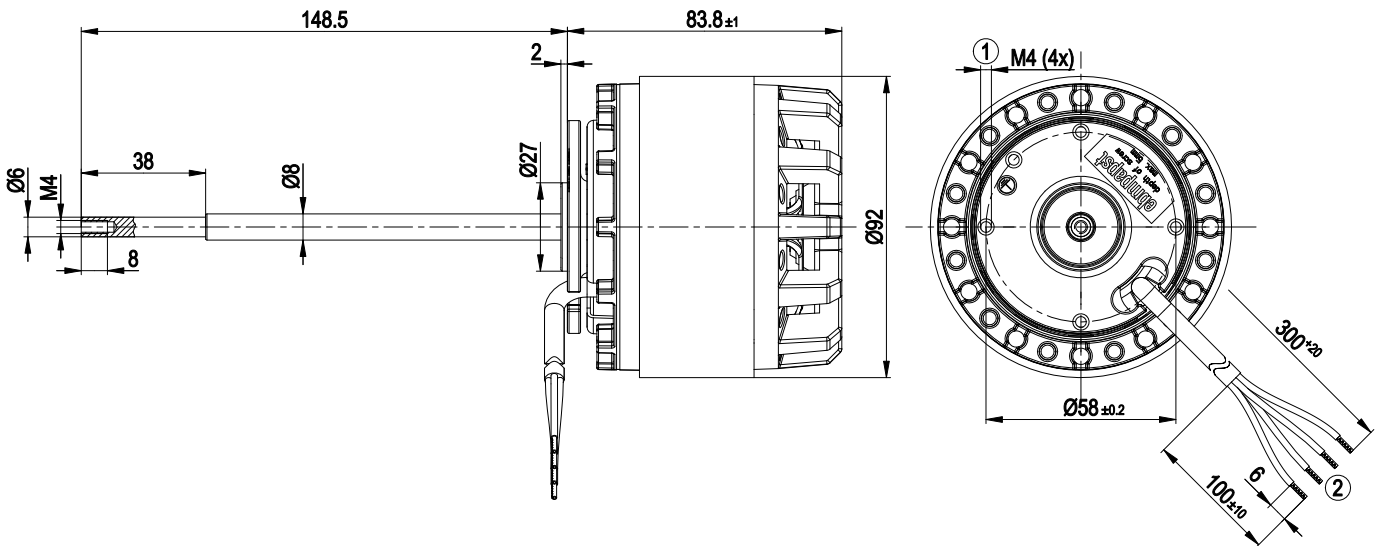
ml = Max. load · me = Max. efficiency · fa = Running at free air · cs = Customer specs · cu = Customer unit
 Subject to alterations



Technical features

Mass	1.9 kg
Size	68 mm
Surface of rotor	Rotor open, coated in black
Direction of rotation	Clockwise, seen on rotor
Type of protection	IP 00
Insulation class	"B"
Humidity class	F0
Max. permissible ambient motor temp. (transp./ storage)	- 40 °C
Min. permissible ambient motor temp. (transp./storage)	+ 80 °C
Mounting position	Any
Condensate discharge holes	None, open rotor
Operation mode	S1
Motor bearing	Ball bearing
Touch current acc. IEC 60990 (measuring network Fig. 4, TN system)	< 0.75 mA
Motor protection	Thermal overload protector (TOP) wired internally
Cable exit	Variable
Protection class	I (if protective earth is connected by customer)
Product conforming to standard	EN 60335-1; CE

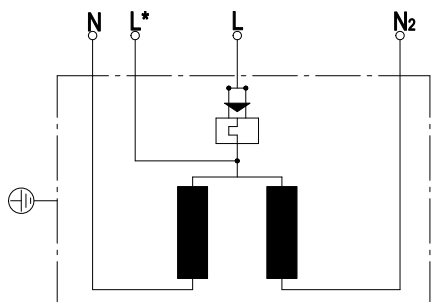
Product drawing



1	Depth of screw max. 5 mm
2	Connection line AWG20, 4x lead tips crimped



Connection screen



N	black	L*	grey (signal output)	L	blue
N2	brown				



Charts: Speed

