

M2E068-BF83-12 ebmpapst Datasheet
 sales@fansco.com
 www.fansco.com

Nominal data

Type	M2E068-BF83-12		
Motor	M2E068-BF		
Phase		1~	1~
Nominal voltage	VAC	240	240
Nominal voltage range	VAC	220 .. 240	220 .. 240
Frequency	Hz	50	60
Method of obtaining data		me	me
Valid for approval/standard		CE	CE
Speed (rpm)	min ⁻¹	2400	2600
Power consumption	W	51	62
Power output	W	20	23
Current draw	A	0.22	0.26
Capacitor	μF	1	1
Capacitor voltage	VDB	450	450
Capacitor standard		S0 (CE)	S0 (CE)
Min. ambient temperature	°C	-25	-25
Max. ambient temperature	°C	50	50
Starting current	A	0.3	0.3

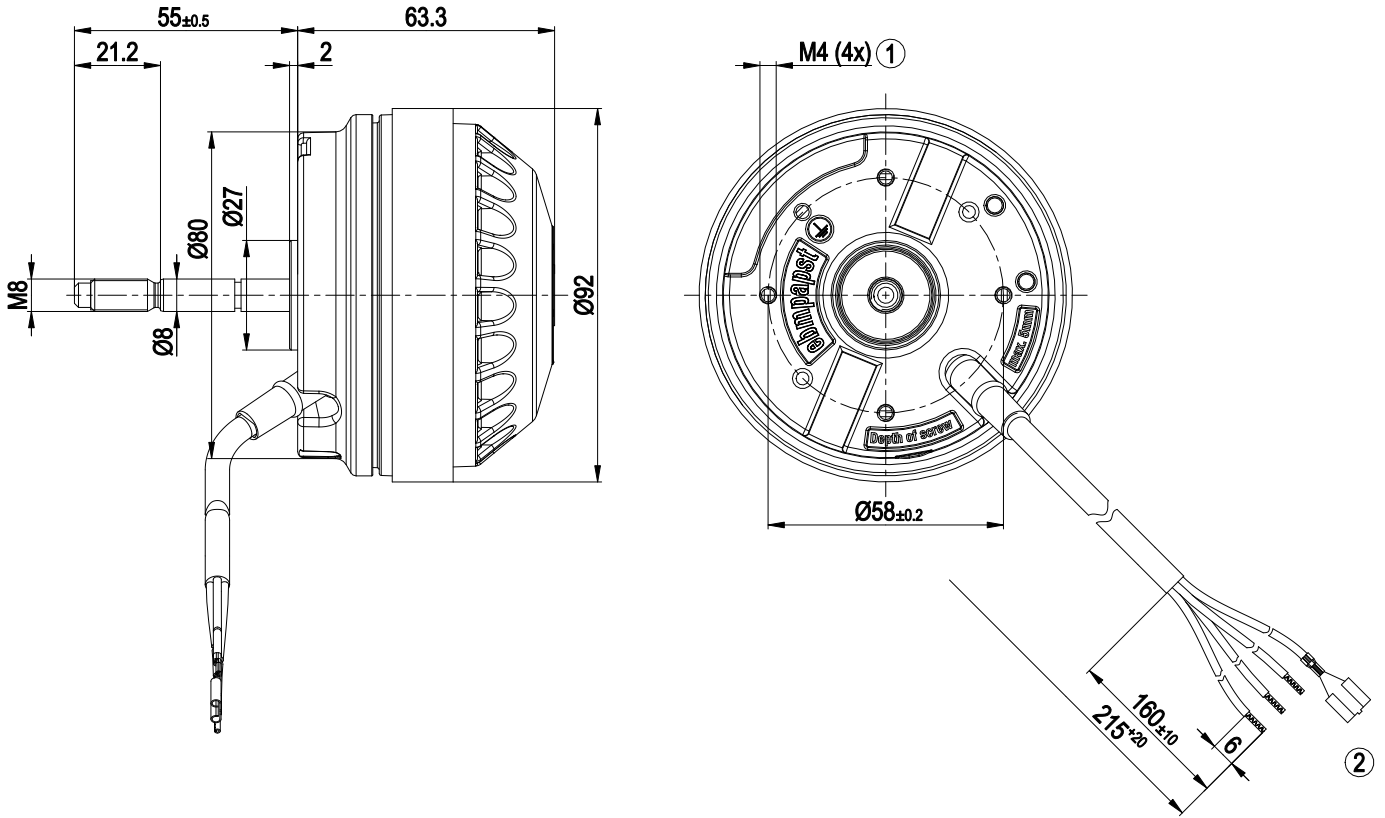
ml = Max. load · me = Max. efficiency · fa = Free air · cs = Customer specification · ce = Customer equipment
 Subject to change



Technical description

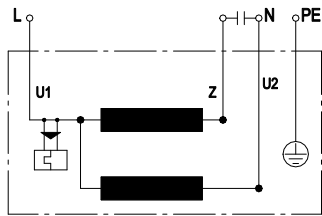
Weight	1 kg
Motor size	68
Rotor surface	Painted black
Direction of rotation	Clockwise, viewed toward rotor
Degree of protection	IP44; installation- and position-dependent
Insulation class	"B"
Moisture (F) / Environmental (H) protection class	H0 - dry environment
Max. permitted ambient temp. for motor (transport/storage)	- 40 °C
Min. permitted ambient temp. for motor (transport/storage)	+ 80 °C
Installation position	Any
Condensation drainage holes	None
Mode	S1
Motor mounting	Ball bearing
Touch current according to IEC 60990 (measuring circuit Fig. 4, TN system)	< 0.75 mA
Motor protection	Thermal overload protector (TOP) internally connected
With cable	Variable
Protection class	I (with customer connection of protective earth)
Conformity with standards	EN 60335-1; CE
Approval	CCC

Product drawing



- 1 Max. clearance for screw 5 mm
- 2 Cable PVC 4G 0.5 mm², 3x wire-end splice, 1x crimped flat push-on receptacle 6.3 x 0.8

Connection diagram



U1	blue	Z	brown	U2	black
PE	green/yellow				



Curves: Speed (rpm)

