

M2E052-CA52-23 ebmpapst Datasheet FansCo

sales@fansco.com

www.fansco.com

## Nominal data

Type	M2E052-CA52-23		
Motor	M2E052-CA		
Phase		1~	1~
Nominal voltage	VAC	230	230
Frequency	Hz	50	60
Method of obtaining data		me	me
Valid for approval/standard		CE	UL
Speed (rpm)	min <sup>-1</sup>	2500	2800
Power consumption	W	46	60
Power output	W	19	25
Current draw	A	0.21	
Rated torque	Ncm	7.25	8.5
Mean starting torque	Ncm	6.7	6.2
Capacitor	µF	1.5	1.5
Capacitor voltage	VDB	400	400
Max. ambient temperature	°C	35	50
Starting current	A	0.31	0.31

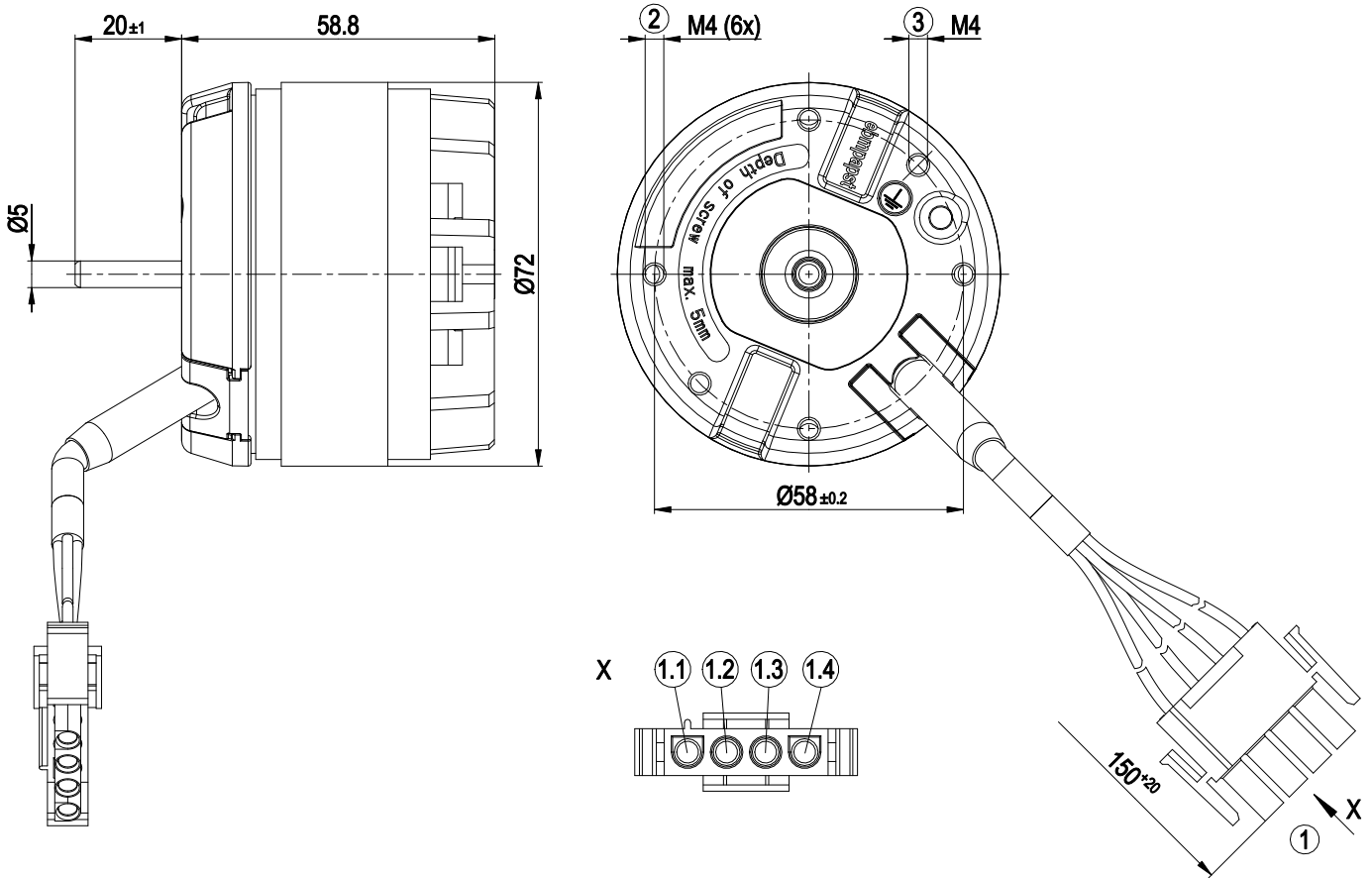
ml = Max. load · me = Max. efficiency · fa = Free air · cs = Customer specification · ce = Customer equipment  
Subject to change



### Technical description

Weight	0.7 kg
Motor size	52
Rotor surface	Rotor open, painted black
Direction of rotation	Right and left
Degree of protection	IP20
Insulation class	"B"
Max. permitted ambient temp. for motor (transport/storage)	+ 80 °C
Min. permitted ambient temp. for motor (transport/storage)	- 40 °C
Installation position	Any
Condensation drainage holes	None, open rotor
Mode	S1
Motor mounting	Ball bearing
Touch current according to IEC 60990 (measuring circuit Fig. 4, TN system)	< 0.75 mA
With cable	Variable
Protection class	I (if protective earth is connected by customer to the housing's connection point)
Conformity with standards	EN 60335-1, motor does not have factory-installed overheating protection
Approval	CSA C22.2 No. 100; UL 1004-1

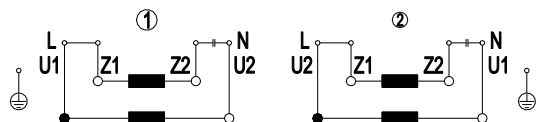
Product drawing



1	Cable PVC AWG20, 4-pole connector housing tyco 350779-5, 4x plug pin tyco 926886-1
1.1	Z1 (blue)
1.2	N (gray)
1.3	Z2 (brown)
1.4	L (black)
2	Max. clearance for screw 5 mm
3	Max. clearance for screw 5 mm



### Connection diagram



Single-phase AC motor with motor run capacitor

1	Clockwise operation
2	Counterclockwise operation
U1	black
U2	gray
Z1	blue
Z2	brown

## Curves: Speed (rpm)

