

M2E042-CA08-31 ebmpapst Datasheet  
 sales@fansco.com  
 www.fansco.com

Limited partnership · Headquarters Muldingen  
 County court Stuttgart · HRA 590344

General partner Elektrobau Muldingen GmbH · Headquarters Muldingen  
 County court Stuttgart · HRB 590142

## Nominal data

Type	M2E042-CA08-31		
Motor	M2E042-CA		
Phase		1~	1~
Nominal voltage	VAC	115	115
Frequency	Hz	50	60
Type of data definition		me	me
Valid for approval / standard		CE	CE
Speed (rpm)	min <sup>-1</sup>	2500	2500
Power input	W	38	38
Power output	W	11	11
Current draw	A	0.34	0.34
Rated torque	Ncm	4.2	4.2
Medium start-up torque	Ncm	4.2	4.2
Motor capacitor	µF	6	6
Capacitor voltage	VDB	220	220
Capacitor standard		S2 (CE)	S2 (CE)
Min. ambient temperature	°C	-25	-25
Max. ambient temperature	°C	-	-

ml = Max. load · me = Max. efficiency · fa = Running at free air · cs = Customer specs · cu = Customer unit  
 Subject to alterations

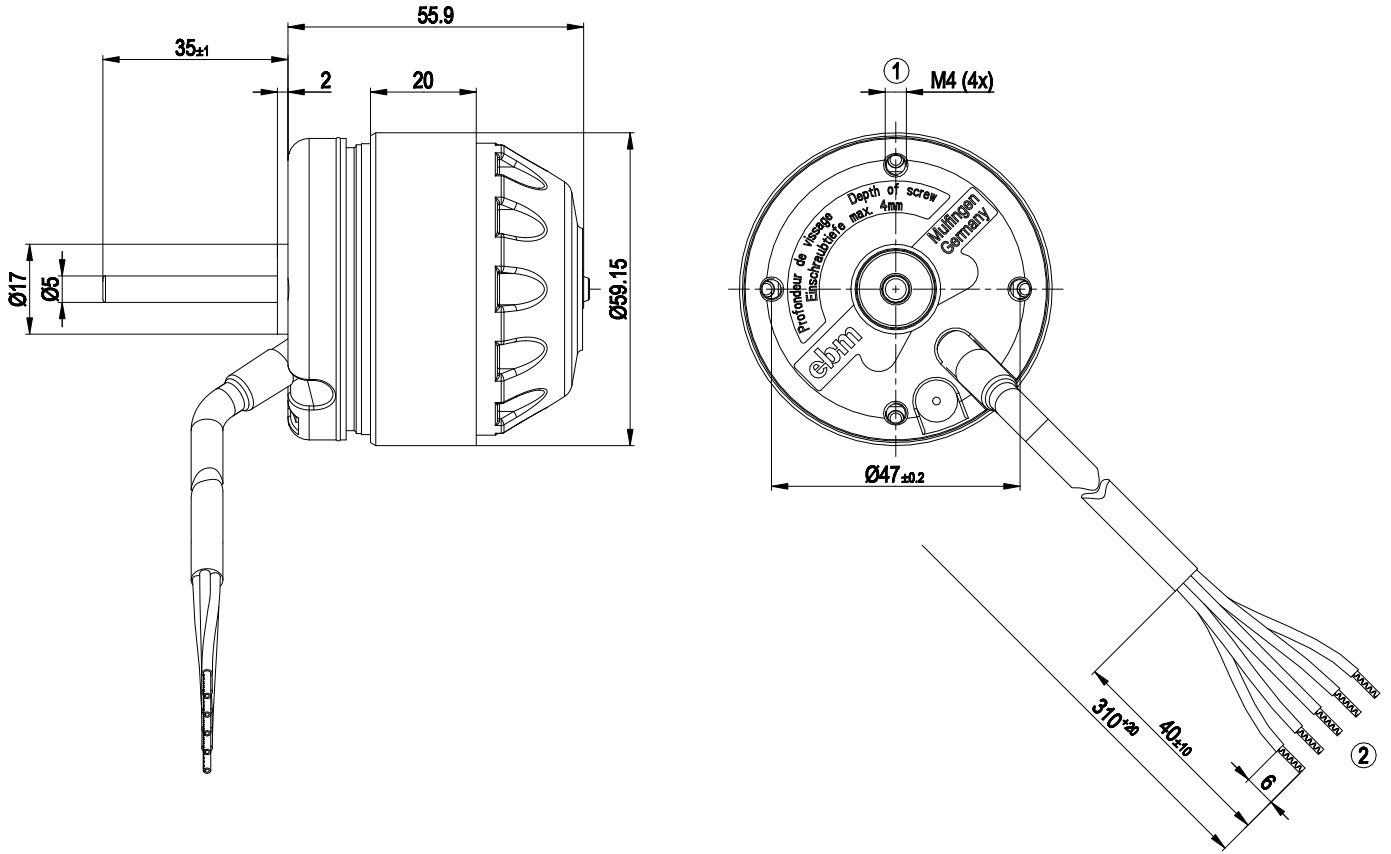


### Technical features

<b>Mass</b>	0.5 kg
<b>Size</b>	42 mm
<b>Surface of rotor</b>	Coated in black
<b>Direction of rotation</b>	Right and left
<b>Type of protection</b>	IP 44; Depending on installation and position
<b>Insulation class</b>	"B"
<b>Max. permissible ambient motor temp. (transp./ storage)</b>	+ 80 °C
<b>Min. permissible ambient motor temp. (transp./storage)</b>	- 40 °C
<b>Mounting position</b>	Any
<b>Condensate discharge holes</b>	None
<b>Operation mode</b>	S1
<b>Motor bearing</b>	Ball bearing
<b>Touch current acc. IEC 60990 (measuring network Fig. 4, TN system)</b>	< 0.75 mA
<b>Cable exit</b>	Variable
<b>Protection class</b>	I (if protective earth is connected by customer)
<b>Product conforming to standard</b>	EN 60335-1, motor does not have factory-installed overheating protection
<b>Approval</b>	CSA C22.2 No.100; UL 1004-1



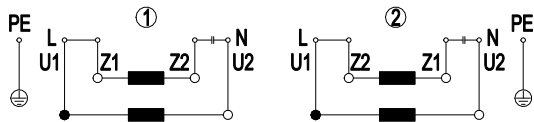
Product drawing



1	Thread reach max. 4 mm
2	Connection line PVC AWG20, 4x lead tips crimped, connection line ETFE AWG20, 1x lead tip crimped



### Connection screen



Single-phase AC motor with operating capacitor

1	Clockwise operation
2	Counter-clockwise operation
U1	black
U2	grey
Z1	blue
Z2	brown
PE	green/yellow

Charts: Speed (rpm)

