

M1G055-BD95-56 ebmpapst Datasheet
 sales@fansco.com
 www.fansco.com

Limited partnership · Headquarters Mulfingen
 County court Stuttgart · HRA 590344

General partner: Elektrobau Mulfingen GmbH · Headquarters Mulfingen
 County court Stuttgart · HRB 590142

Nominal data

Type	M1G055-BD95-56		
Motor	M1G055-BD		
Phase		1~	1~
Nominal voltage	VAC	115	115
Nominal voltage range	VAC		115 .. 127
Frequency	Hz		50/60
Type of data definition		-	ml
Speed	min ⁻¹	2000	2000
Power input	W	-	25
Power output	W	-	16.5
Current draw	A		0.4
Rated torque	Ncm		8
Min. ambient temperature	°C	-30	-30
Max. ambient temperature	°C	50	50

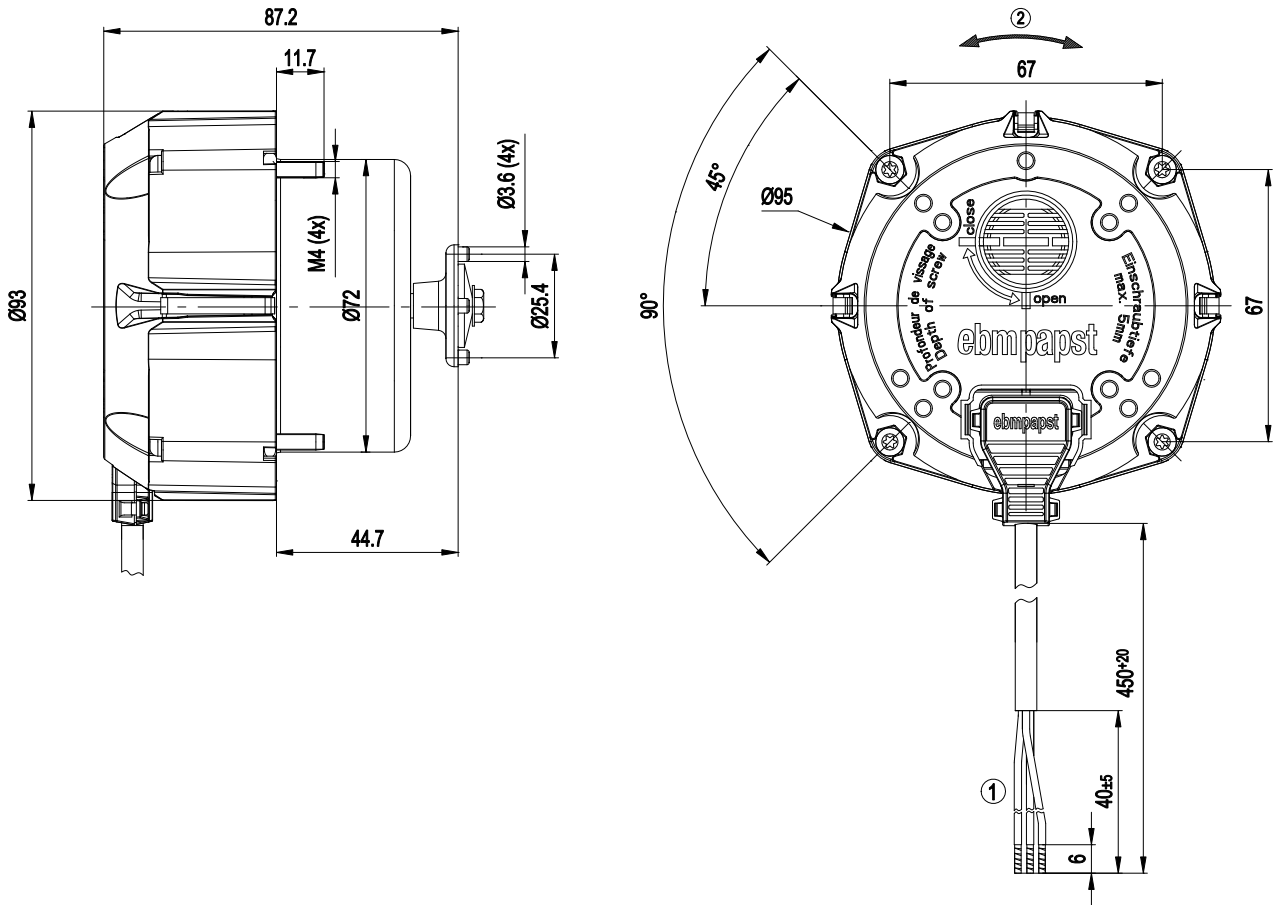
ml = max. load · me = max. efficiency · fa = running at free air · cs = customer specs · cu = customer unit
 Subject to alterations



Technical features

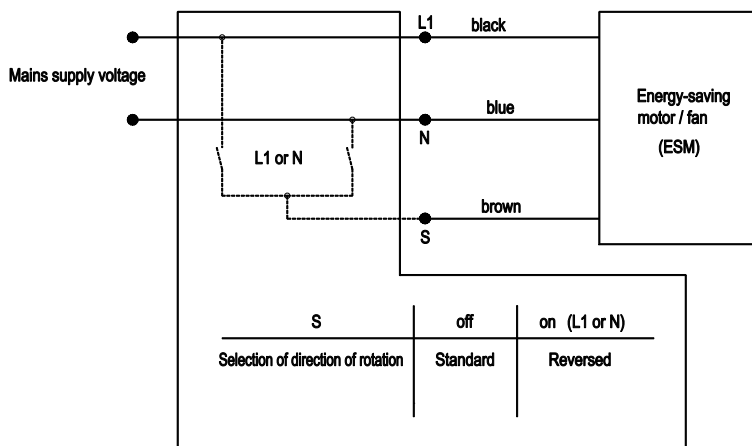
Size	55 mm
Surface of rotor	Coated in black
Material of electronics housing	Die-cast aluminium
Direction of rotation	Right and left
Type of protection	IP 54
Insulation class	"B"
Humidity class	F3-1
Max. permissible ambient motor temp. (transp./ storage)	+ 80 °C
Min. permissible ambient motor temp. (transp./storage)	- 40 °C
Mounting position	Any
Condensate discharge holes	None
Operation mode	S1
Motor bearing	Ball bearing
Technical features	- Over-temperature protected motor - Soft start - Direction of rotation selection counter-clockwise / clockwise
EMC interference immunity	Acc. to EN 61000-6-2 (industrial environment)
EMC interference emission	Acc. to EN 61000-6-3 (household environment)
EMC harmonics	Acc. to EN 61000-3-2/3
Motor protection	Thermal overload protector (TOP) wired internally
Cable exit	Lateral
Protection class	II
Product conforming to standard	EN 60335-1; CE
Approval	VDE; UL 2111; CSA C22.2 Nr.77

Product drawing



- 1 Connection line AWG20, 3x brass lead tips crimped
- 2 Direction of rotation counter-clockwise, seen on rotor, speed 2000 rpm
- Direction of rotation clockwise, seen on rotor, speed 2000 rpm

Connection screen



Charts: Speed

