

M1G055-BD91-60 ebmpapst Datasheet
 sales@fansco.com
 www.fansco.com

Limited partnership · Headquarters Muldingen
 County court Stuttgart · HRA 590344

General partner Elektrobau Muldingen GmbH · Headquarters Muldingen
 County court Stuttgart · HRB 590142

Nominal data

Type	M1G055-BD91-60		
Motor	M1G055-BD		
Phase		1~	1~
Nominal voltage	VAC	230	230
Frequency	Hz	50/60	50/60
Type of data definition		ml	ml
Speed	min ⁻¹	1000	1400
Power input	W	-	27
Power output	W	-	12
Current draw	A		0.24
Rated torque	Ncm	8	8
Min. ambient temperature	°C	-30	-30
Max. ambient temperature	°C	40	40

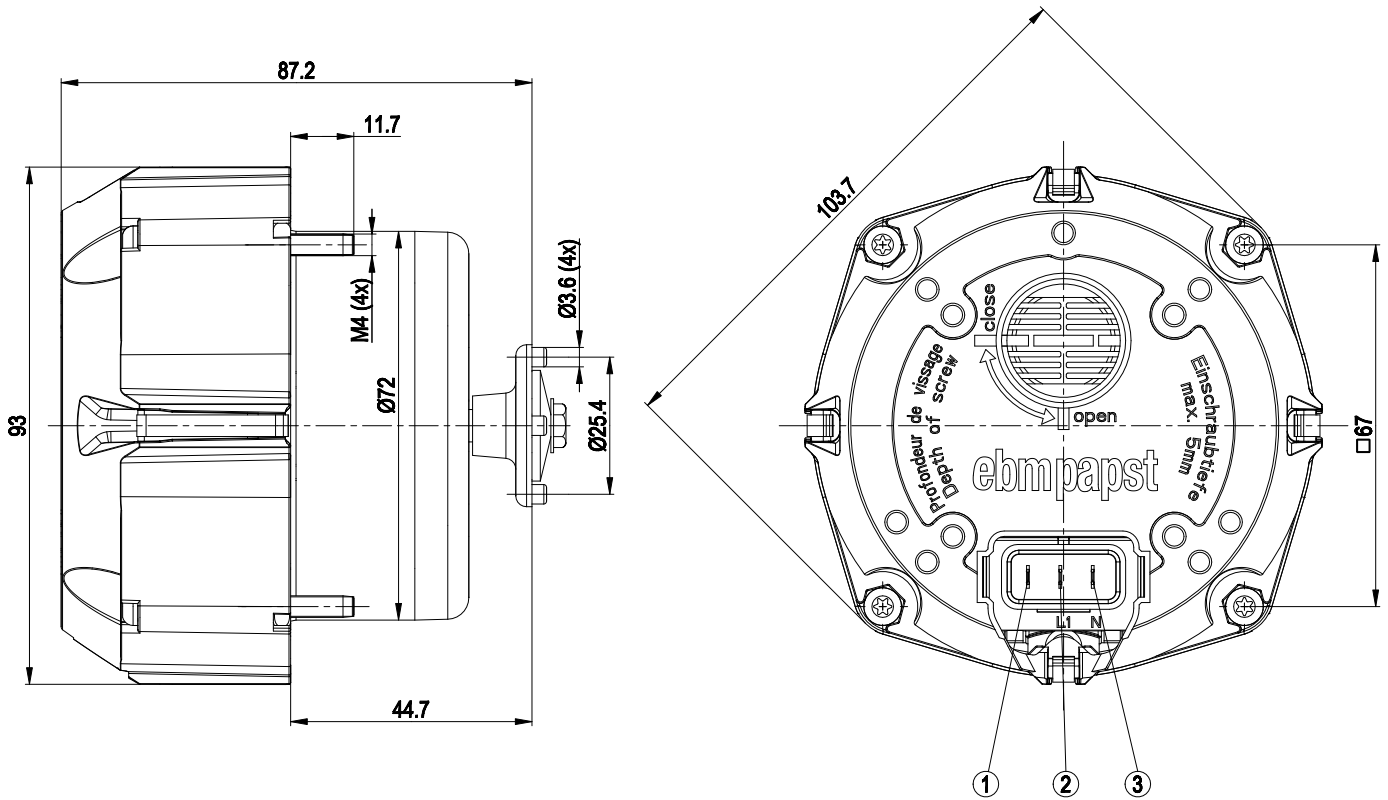
ml = Max. load · me = Max. efficiency · fa = Running at free air · cs = Customer specs · cu = Customer unit
 Subject to alterations



Technical features

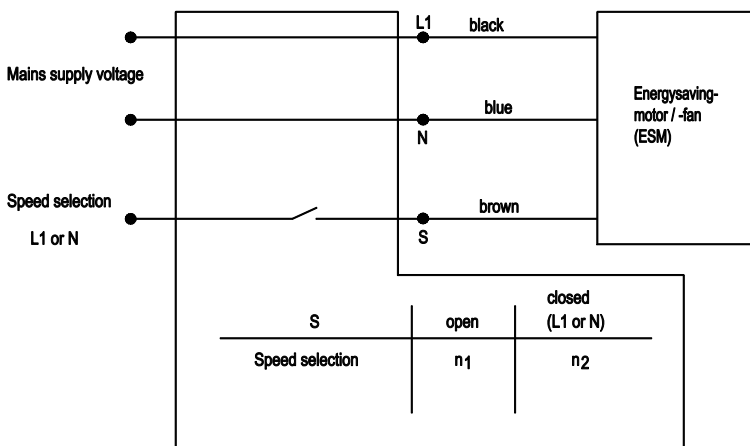
Mass	0.8 kg
Size	55 mm
Surface of rotor	Coated in black
Material of electronics housing	Die-cast aluminium
Direction of rotation	Counter-clockwise, seen on rotor
Type of protection	IP 54
Insulation class	"B"
Humidity class	F3-1
Max. permissible ambient motor temp. (transp./ storage)	+ 80 °C
Min. permissible ambient motor temp. (transp./storage)	- 40 °C
Mounting position	Any
Condensate discharge holes	None
Operation mode	S1
Motor bearing	Ball bearing
Technical features	- Over-temperature protected motor - Speed selection max/min - Soft start
Speed steps	2
EMC interference immunity	Acc. to EN 61000-6-2 (industrial environment)
EMC harmonics	Acc. to EN 61000-3-2/3
EMC interference emission	Acc. to EN 61000-6-3 (household environment)
Motor protection	Thermal overload protector (TOP) wired internally
Protection class	II
Product conforming to standard	EN 60335-1; CE
Approval	CCC; VDE; UL 2111; CSA C22.2 Nr.77

Product drawing



- 1 PIN S, speed selection (flat plug 2.8 x 0.5)
- 2 PIN L1, phase (flat plug 2.8 x 0.5)
- 3 PIN N, neutral conductor (flat plug 2.8 X 0.5)

Connection screen



Charts: Speed

