

M1G055-BD91-15 ebmpapst Datasheet

sales@fansco.com

www.fansco.com

Limited partnership · Headquarters Mulfingen
 County court Stuttgart · HRA 590344

General partner: Elektrobau Mulfingen GmbH · Headquarters Mulfingen
 County court Stuttgart · HRB 590142

Nominal data

Type	M1G055-BD91-15		
Motor	M1G055-BD		
Phase		1~	1~
Nominal voltage	VAC	230	230
Nominal voltage range	VAC	195 .. 253	195 .. 253
Frequency	Hz	50/60	50/60
Type of data definition		ml	ml
Speed	min ⁻¹	1600	1000
Power input	W	19	-
Power output	W	10.5	-
Current draw	A	0.15	
Rated torque	Ncm	6	
Min. ambient temperature	°C	-30	-30
Max. ambient temperature	°C	40	40

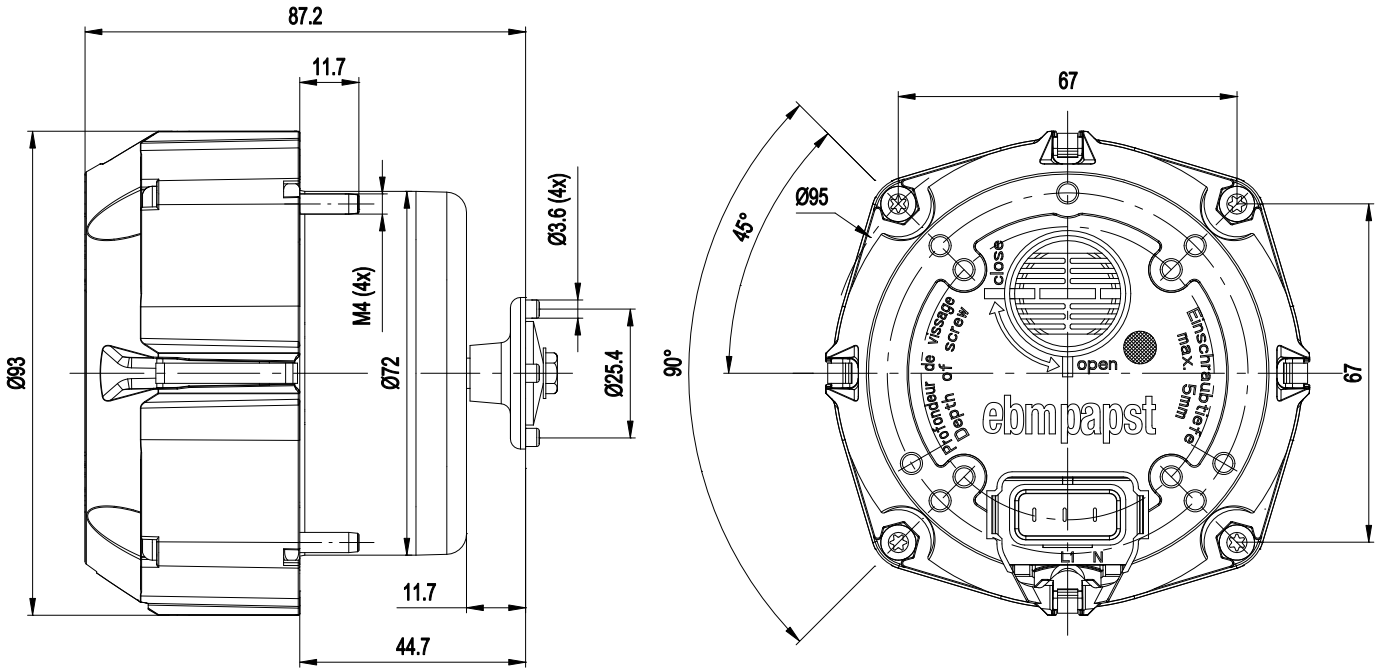
ml = max. load · me = max. efficiency · fa = running at free air · cs = customer specs · cu = customer unit
 Subject to alterations



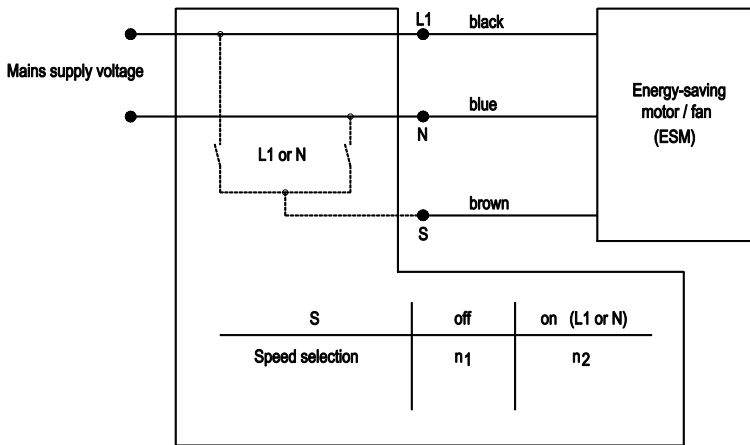
Technical features

Mass	0.8 kg
Size	55 mm
Surface of rotor	Coated in black
Material of electronics housing	Die-cast aluminium
Direction of rotation	Counter-clockwise, seen on rotor
Type of protection	IP 54
Insulation class	"B"
Humidity class	F3-1
Max. permissible ambient motor temp. (transp./ storage)	+ 80 °C
Min. permissible ambient motor temp. (transp./storage)	- 40 °C
Mounting position	Any
Condensate discharge holes	None
Operation mode	S1
Motor bearing	Ball bearing
Technical features	- Over-temperature protected motor - Speed selection max/min - Soft start
Speed steps	2
EMC interference immunity	Acc. to EN 61000-6-2 (industrial environment)
EMC interference emission	Acc. to EN 61000-6-3 (household environment)
EMC harmonics	Acc. to EN 61000-3-2/3
Motor protection	Thermal overload protector (TOP) wired internally
Protection class	II
Product conforming to standard	EN 60335-1; CE
Approval	VDE; UL 2111; CSA C22.2 Nr.77

Product drawing



Connection screen



Charts: Speed

