

AC dual centrifugal fan

forward curved, dual inlet
with housing

K4E146-AB79-22 ebmpapst Datasheet
sales@fansco.com
www.fansco.com

Nominal data

Type	K4E146-AB79-22	
Motor	M4E068-DF	
Phase		1~
Nominal voltage	VAC	230
Frequency	Hz	50
Type of data definition		ml
Valid for approval / standard		CE
Speed	min ⁻¹	1140
Power input	W	86
Current draw	A	0.38
Motor capacitor	μF	3
Capacitor voltage	VDB	450
Capacitor standard		P2 (CE)
Min. back pressure	Pa	67
Min. ambient temperature	°C	-25
Max. ambient temperature	°C	30

ml = max. load · me = max. efficiency · fa = running at free air · cs = customer specs · cu = customer unit
Subject to alterations



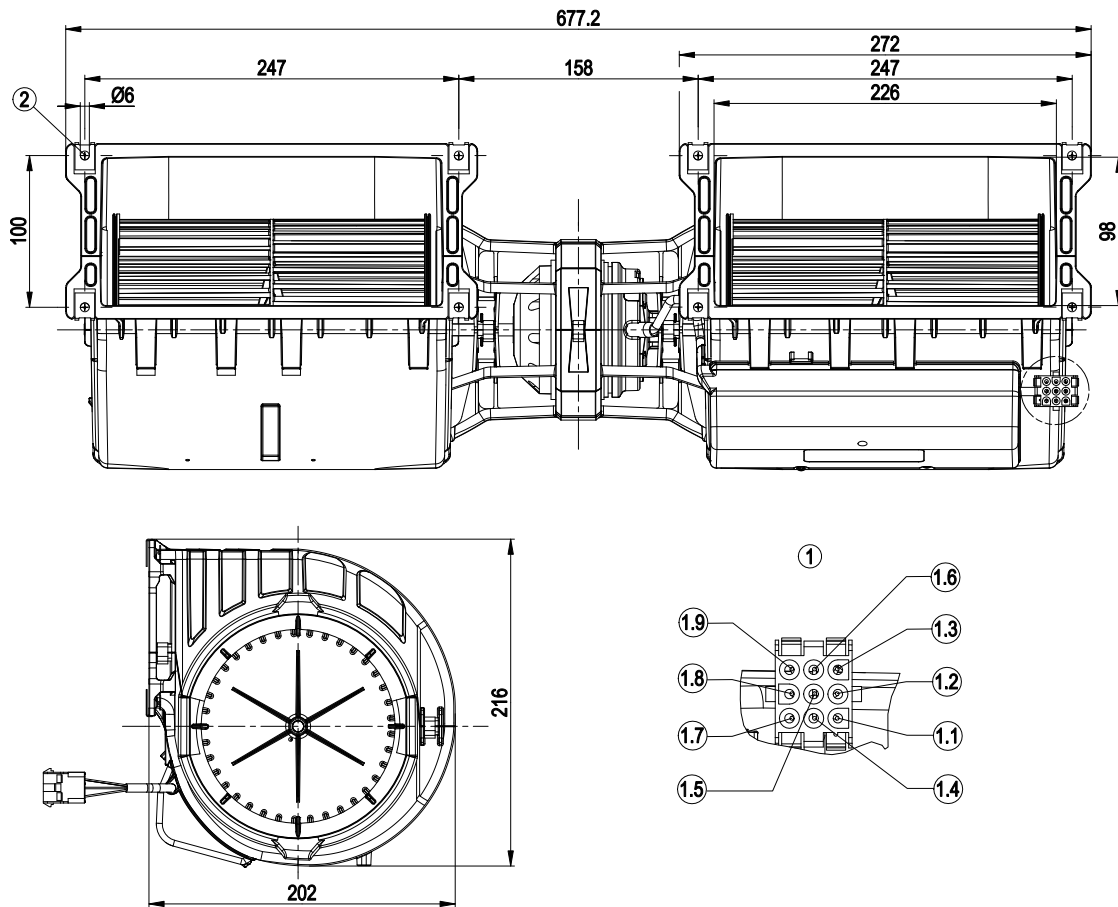
Technical features

Mass	4.2 kg
Size	146 mm
Surface of rotor	Partially cast in aluminium
Material of terminal box	PP plastic, black
Material of blades	PA plastic, black
Housing material	PP plastic, black
Motor suspension	Motor anti-vibration mounted on both sides
Direction of rotation	Clockwise, seen on rotor
Type of protection	IP 44; Depending on installation and position
Insulation class	"F"
Humidity class	F0
Max. permissible ambient motor temp. (transp./ storage)	+ 80 °C
Min. permissible ambient motor temp. (transp./storage)	- 40 °C
Mounting position	Any
Condensate discharge holes	None
Operation mode	S1
Motor bearing	Ball bearing
Speed steps	5
Leakage current	< 0.75 mA
Motor protection	Thermal overload protector (TOP) wired internally
Cable exit	Variable
Protection class	I
Product conforming to standard	EN 60335-1; CE

AC dual centrifugal fan

forward curved, dual inlet
with housing

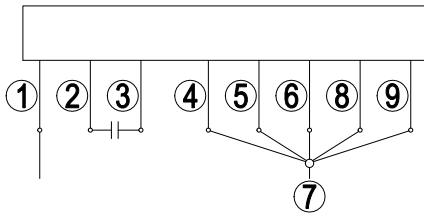
Product drawing



1	AMP Universal Mate-N-Lok coded plug system; connector shell: AMP 927 231-3; 7x plug pin: AMP 926 866-1
1.1	Step 1 (min.)
1.2	Step 2
1.3	Step 3
1.4	Step 4
1.5	Step 5 (max.)
1.6	-
1.7	-
1.8	N
1.9	Protective earth
2	8x sheet metal nut for thread EN ISO 1478-ST4.8 (min. screw length 14.5 mm plus thickness of mounting material)



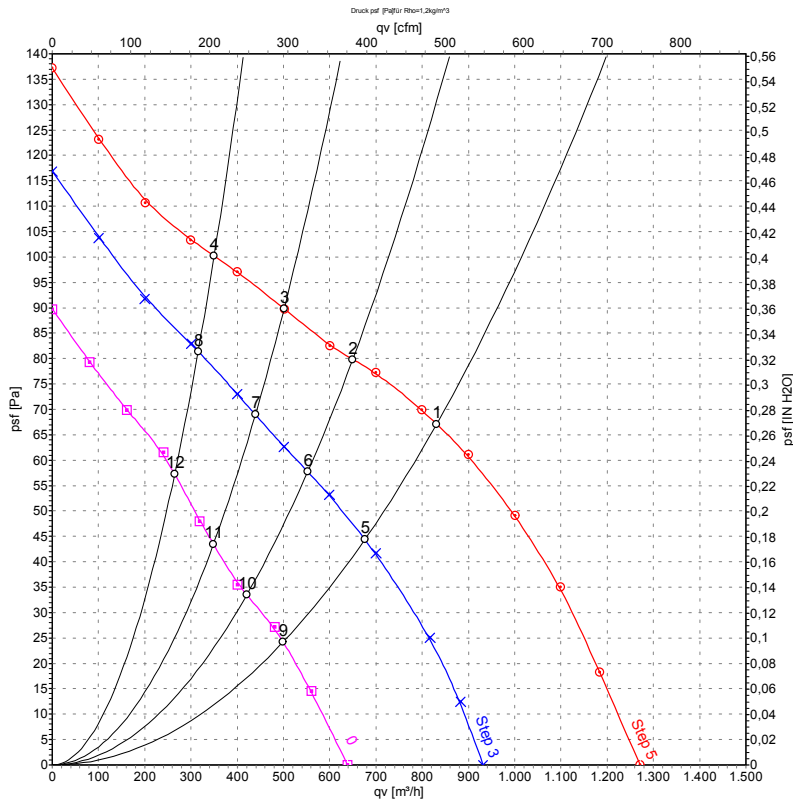
Connection screen



Note: Fast speed (step V); slow speed (step I)

1	= N = blue	2	brown	3	yellow
4	Step I white	5	Step II red	6	Step III grey
7	L1	8	Step IV orange	9	Step V black

Charts: Air flow 50 Hz



Measurement: LU-69557
 Measurement: LU-69558
 Measurement: LU-69559

Air performance measured as per ISO 5801 Installation category A. For detailed information on the measuring set-up, please contact ebm-papst. Suction-side noise levels: LwA measured as per ISO 13347 / LpA measured with 1m distance to fan axis. The values given are valid under the measuring conditions mentioned above and may vary according to the actual installation situation. With any deviation from the standard set-up, the specific values have to be checked and reviewed with the unit installed.

Measured values

	Stage	U	f	n	P _e	I	qv	P _{sf}
		V	Hz	min ⁻¹	W	A	m ³ /h	Pa
1	3	230	50	1140	86	0.38	830	67
2	3	230	50	1200	82	0.36	650	80
3	3	230	50	1260	78	0.34	500	90
4	3	230	50	1305	74	0.33	350	100
5	2	230	50	920	68	0.31	675	44
6	2	230	50	1020	65	0.30	550	58
7	2	230	50	1095	61	0.28	440	69
8	2	230	50	1185	57	0.26	315	82
9	1	230	50	675	55	0.26	500	24
10	1	230	50	780	53	0.25	420	33
11	1	230	50	870	51	0.25	350	43
12	1	230	50	990	47	0.23	265	57

