

AC dual centrifugal fan

forward curved, dual inlet

with housing

K4E133-AA01-02 ebmpapst Datasheet

sales@fansco.com

www.fansco.com

Limited partnership · Headquarters Muldingen
County court Stuttgart · HRA 590344

General partner Elektrobau Muldingen GmbH · Headquarters Muldingen
County court Stuttgart · HRB 590142

Nominal data

Type	K4E133-AA01-02	
Motor	M4E068-BF	
Phase		1~
Nominal voltage	VAC	220
Frequency	Hz	50
Type of data definition		-
Valid for approval / standard		CE
Speed	min ⁻¹	1150
Power input	W	130
Current draw	A	0.6
Motor capacitor	µF	4
Capacitor voltage	VDB	400
Capacitor standard		P0 (CE)
Max. ambient temperature	°C	-

ml = Max. load · me = Max. efficiency · fa = Running at free air · cs = Customer specs · cu = Customer unit
Subject to alterations



K4E133-AA01-02

AC dual centrifugal fan

forward curved, dual inlet
with housing

Technical features

Mass	6.1 kg
Size	133 mm
Surface of rotor	Partially cast in aluminium
Material of impeller	Sheet steel, hot-galvanised
Housing material	Sheet steel, hot-galvanised
Type of protection	IP 44; Depending on installation and position
Insulation class	"B"
Humidity class	F0
Max. permissible ambient motor temp. (transp./ storage)	+ 80 °C
Min. permissible ambient motor temp. (transp./storage)	- 40 °C
Mounting position	Any
Condensate discharge holes	None
Operation mode	S1
Motor bearing	Calotte bearing
Touch current acc. IEC 60990 (measuring network Fig. 4, TN system)	< 0.75 mA
Electrical leads	Via terminals, capacitor connected via terminals
Motor protection	Thermal overload protector (TOP) wired internally
Cable exit	Axial
Protection class	I (if protective earth is connected by customer)
Product conforming to standard	EN 60335-1; CE

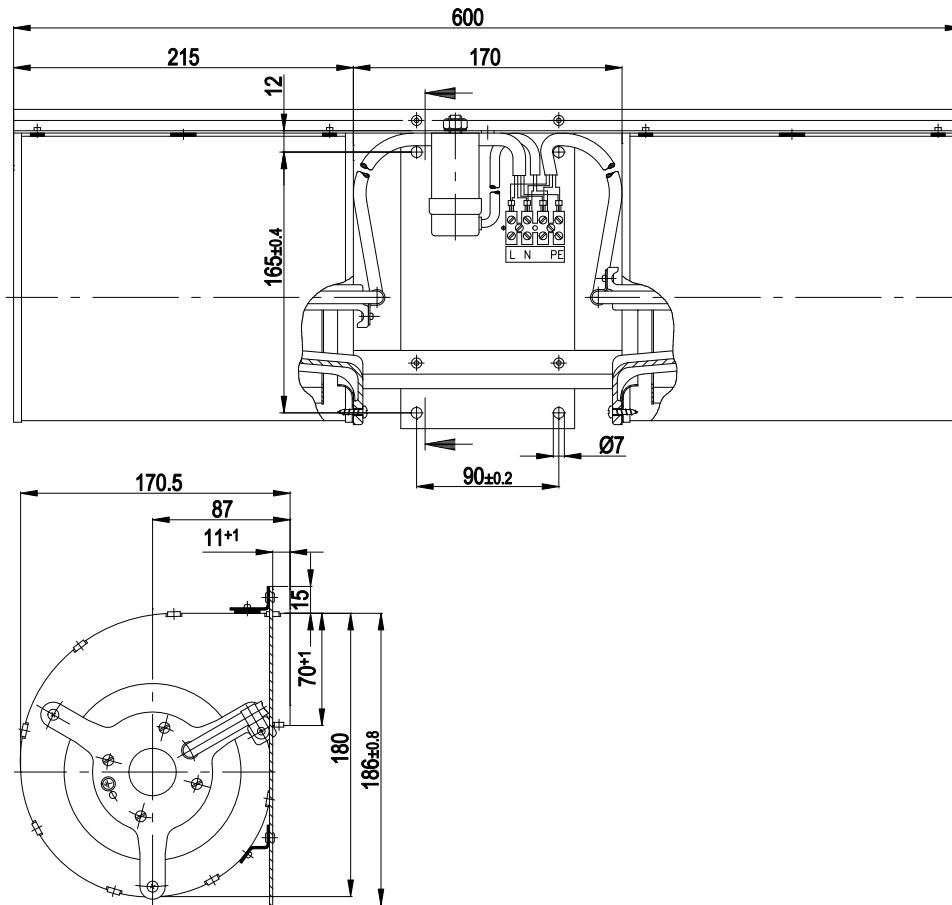


K4E133-AA01-02

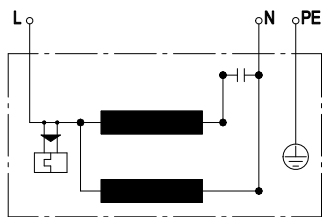
AC dual centrifugal fan

forward curved, dual inlet
with housing

Product drawing



Connection screen



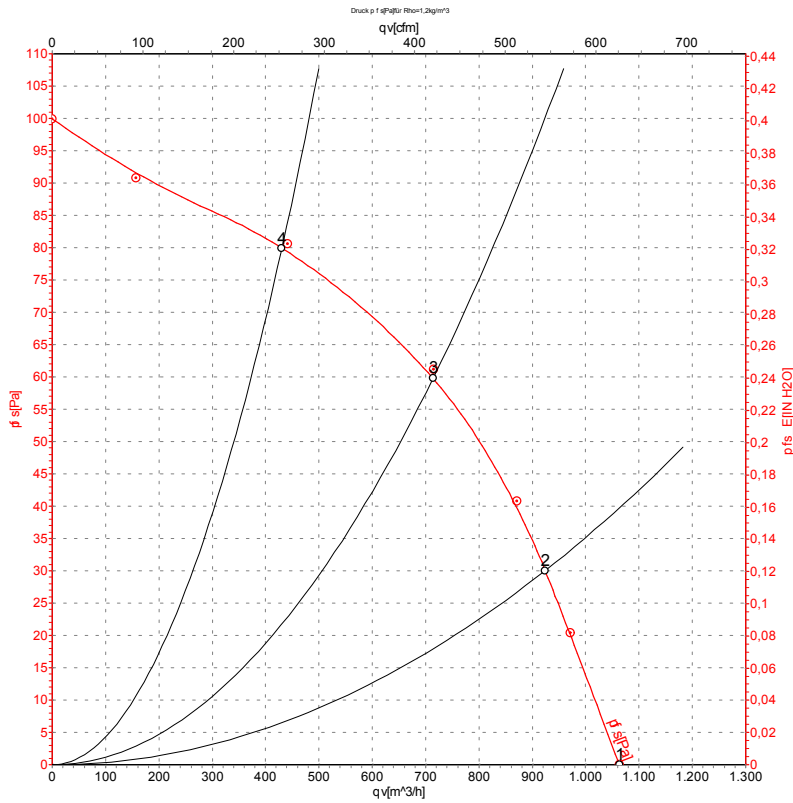
L	blue	N	black	PE	green/yellow
---	------	---	-------	----	--------------



AC dual centrifugal fan

forward curved, dual inlet
with housing

Charts: Air flow 50 Hz



Measurement: LU-8886

Air performance measured as per ISO 5801 Installation category A. For detailed information on the measuring set-up, please contact ebm-papst. Suction-side noise levels: LwA measured as per ISO 13347 / LpA measured with 1m distance to fan axis. The values given are valid under the measuring conditions mentioned above and may vary according to the actual installation situation. With any deviation from the standard set-up, the specific values have to be checked and reviewed with the unit installed.

Measured values

	U	f	n	P _e	I	qv	P _{fs}
	V	Hz	min ⁻¹	W	A	m ³ /h	Pa
1	220	50	1150	130	0.60	1065	0
2	220	50	1225	120	0.52	925	30
3	220	50	1300	115	0.50	715	60
4	220	50	1370	110	0.48	430	80

U = Supply voltage · f = Frequency · n = Speed · P_e = Power input · I = Current draw · qv = Air flow · P_{fs} = Pressure increase

