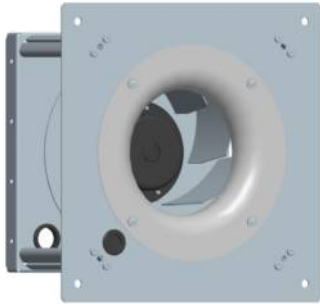


K3G630-AC05-04

EC centrifugal module

backward curved, single inlet

with support plate



K3G630-AC05-04 ebmpapst Datasheet

sales@fansco.com

www.fansco.com

Limited partnership · Headquarters Muldingen
County court Stuttgart · HRA 590344

General partner Elektrobau Muldingen GmbH · Headquarters Muldingen
County court Stuttgart · HRB 590142



Nominal data

Type	K3G630-AC05-04	
Motor	M3G150-NA	
Phase		3~
Nominal voltage	VAC	400
Nominal voltage range	VAC	380 .. 480
Frequency	Hz	50/60
Type of data definition		ml
Speed	min ⁻¹	1370
Power input	W	4000
Current draw	A	6.2
Min. ambient temperature	°C	-25
Max. ambient temperature	°C	50

ml = max. load · me = max. efficiency · fa = running at free air · cs = customer specs · cu = customer unit
Subject to alterations

Data according to ErP directive

Installation category	A
Efficiency category	Static
Variable speed drive	Yes
Specific ratio*	1.01

* Specific ratio = $1 + p_{fs} / 100\,000\text{ Pa}$

	Actual	Request 2013	Request 2015
Overall efficiency η_{es}	57.9	53.9	57.9
Efficiency grade N	62	58	62
Power input P_{ed}	kW	4.03	
Air flow q_v	m ³ /h	11520	
Pressure increase p_{fs}	Pa	681	
Speed n	min ⁻¹	1380	

Data established at point of optimum efficiency



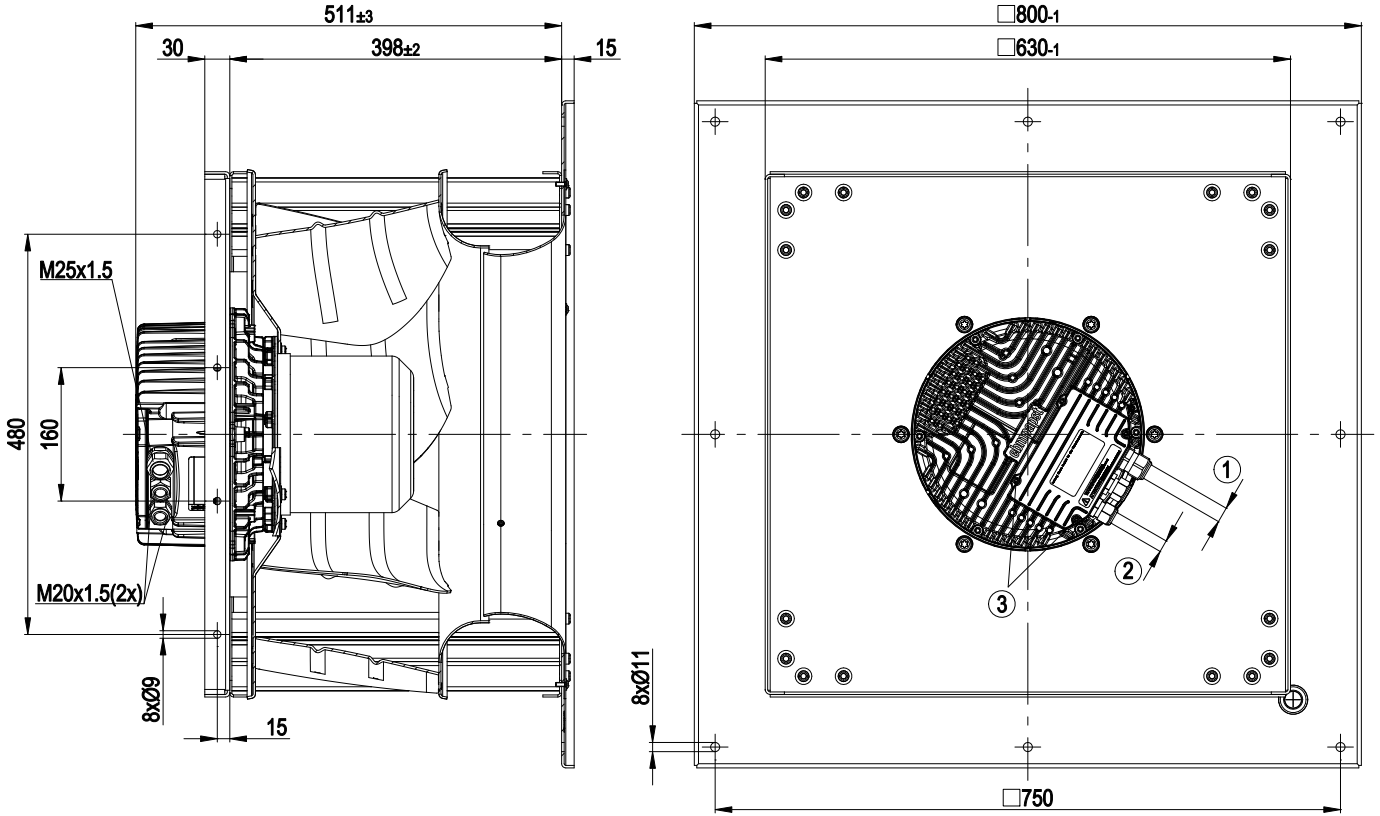
Technical features

Mass	70 kg
Size	630 mm
Surface of rotor	Coated in black
Material of electronics housing	Die-cast aluminium
Material of impeller	Sheet aluminium, laser-welded
Material of mounting plate	Sheet steel, hot-dip galvanised
Material of distancing profiles	Aluminium
Material of inlet nozzle	Sheet steel, hot-dip galvanised
Number of blades	6
Direction of rotation	Clockwise, seen on rotor
Type of protection	IP 54
Insulation class	"F"
Humidity class	F4-1
Max. permissible ambient motor temp. (transp./ storage)	+80 °C
Min. permissible ambient motor temp. (transp./storage)	-40 °C
Mounting position	Shaft horizontal or rotor on bottom
Condensate discharge holes	Rotor-side
Operation mode	S1
Motor bearing	Ball bearing
Technical features	<ul style="list-style-type: none"> - PFC, passive - Control input 0-10 VDC / PWM - Output 10 VDC, max. 10 mA - Over-temperature protected electronics / motor - Alarm relay - Integrated PID controller - Input for sensor 0-10 V or 4-20 mA - Output for slave 0-10 V - Output 20 VDC, max. 50 mA - RS485 ebmBUS - Motor current limit - Soft start - Line undervoltage / phase failure detection
EMC interference immunity	Acc. to EN 61000-6-2
EMC interference emission	Acc. to EN 61000-6-3
Touch current acc. IEC 60990 (measuring network Fig. 4, TN system)	<= 3.5 mA
Electrical leads	Via terminal box
Motor protection	Reverse polarity and locked-rotor protection
Protection class	I (if protective earth is connected by customer)
Product conforming to standard	EN 61800-5-1, CE; CE

EC centrifugal module

backward curved, single inlet
with support plate

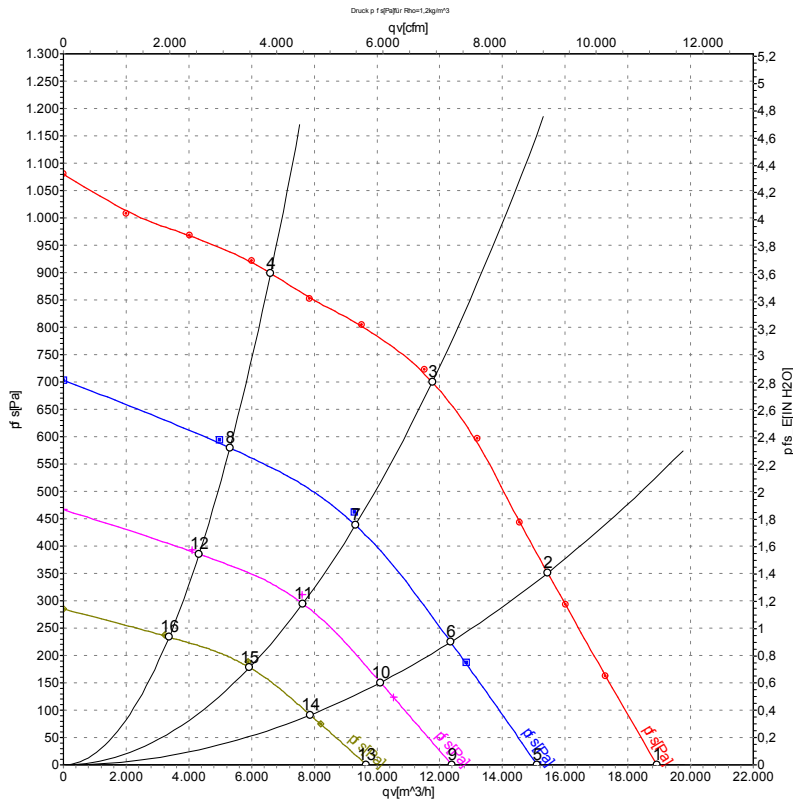
Product drawing



- | | |
|---|--|
| 1 | Cable diameter: min. 9 mm, max. 16 mm; tightening torque: 6 ± 0.6 Nm |
| 2 | Cable diameter: min. 4 mm, max. 10 mm; tightening torque: 4 ± 0.4 Nm |
| 3 | Tightening torque 3.5 ± 0.5 Nm |



Charts: Air flow 50 Hz



Measurement: LU-112140
 Measurement: LU-114038
 Measurement: LU-114039
 Measurement: LU-114040

Air performance measured as per ISO 5801 Installation category A. For detailed information on the measuring set-up, please contact ebmpapst. Suction-side noise levels: LwA measured as per ISO 13347 / LpA measured with 1m distance to fan axis. The values given are valid under the measuring conditions mentioned above and may vary according to the actual installation situation. With any deviation from the standard set-up, the specific values have to be checked and reviewed with the unit installed.

Measured values

	Conn.	U	f	n	P _{ed}	I	LpA _{in}	LwA _{in}	LwA _{out}	qv	p _{fs}
		V	Hz	min ⁻¹	W	A	dB(A)	dB(A)	dB(A)	m ³ /h	Pa
1	Y	400	50	1370	2975	4.57	83	90	95	18920	0
2	Y	400	50	1370	3591	5.50	78	86	92	15440	350
3	Y	400	50	1370	4000	6.20	75	83	90	11760	700
4	Y	400	50	1370	3345	5.13	77	85	91	6605	900
5	Y	400	50	1100	1432	2.29	75	82	88	15110	0
6	Y	400	50	1100	1712	2.68	72	79	85	12350	226
7	Y	400	50	1100	1930	3.00	69	77	83	9310	460
8	Y	400	50	1100	1591	2.50	71	79	85	5305	585
9	Y	400	50	900	791	1.36	69	76	82	12380	0
10	Y	400	50	900	954	1.58	66	73	79	10110	151
11	Y	400	50	900	1080	1.75	64	72	78	7635	311
12	Y	400	50	900	891	1.49	65	73	79	4325	388
13	Y	400	50	700	402	0.80	62	69	75	9660	0
14	Y	400	50	700	464	0.90	59	67	72	7870	92
15	Y	400	50	700	516	0.99	57	65	72	5930	187
16	Y	400	50	700	438	0.85	58	66	73	3370	235

Conn. = Connection · U = Supply voltage · f = Frequency · n = Speed · P_{ed} = Power input · I = Current draw · LpA_{in} = Sound pressure level inlet side · LwA_{in} = Sound power level inlet side
 LwA_{out} = Sound power level outlet side · qv = Air flow · p_{fs} = Pressure increase

