

K3G560-8317081580  
8317081580

# EC centrifugal module - RadiCal

backward-curved, single-intake  
with support bracket

K3G560-8317081580 ebmpapst Datasheet  
sales@fansco.com  
www.fansco.com

## Nominal data

Type	K3G560-8317081580	
Motor	M3G150-FF	
Phase		3~
Nominal voltage	VAC	400
Nominal voltage range	VAC	380 .. 480
Frequency	Hz	50/60
Method of obtaining data		ml
Status		prelim.
Speed (rpm)	min <sup>-1</sup>	1900
Power consumption	W	3950
Current draw	A	6.0
Min. ambient temperature	°C	-40
Max. ambient temperature	°C	40

ml = Max. load · me = Max. efficiency · fa = Free air · cs = Customer specification · ce = Customer equipment  
Subject to change



K3G560-8317081580  
8317081580

# EC centrifugal module - RadiCal

backward-curved, single-intake  
with support bracket

## Technical description

Size	560 mm
Motor size	150
Rotor surface	Painted black
Electronics housing material	Die-cast aluminum
Impeller material	PP plastic
Support plate material	Sheet steel, galvanized
Support bracket material	Steel, painted black
Inlet nozzle material	Sheet steel, galvanized
Number of blades	6
Direction of rotation	Clockwise, viewed toward rotor
Degree of protection	IP55
Insulation class	"F"
Moisture (F) / Environmental (H) protection class	H1
Ambient temperature note	Occasional start-up at temperatures between -40°C and -25°C is permitted. For continuous operation at ambient temperatures below -25°C (such as refrigeration applications), use must be made of a fan design with special low-temperature bearings.
Max. permitted ambient temp. for motor (transport/storage)	+80 °C
Min. permitted ambient temp. for motor (transport/storage)	-40 °C
Installation position	See legend on product drawing
Condensation drainage holes	On rotor side
Mode	S1
Motor bearing	Ball bearing
Technical features	<ul style="list-style-type: none"><li>- Operation and alarm display with LED</li><li>- External 15-50 VDC input (parameterization)</li><li>- Alarm relay</li><li>- Integrated PI controller</li><li>- Configurable inputs/outputs (I/O)</li><li>- MODBUS V6.0</li><li>- Motor current limitation</li><li>- RFID - ISO 15693 compatible</li><li>- RS-485 MODBUS-RTU</li><li>- Soft start</li><li>- Voltage output 3.3-24 VDC, Pmax = 800 mW</li><li>- Control interface with SELV potential safely disconnected from the mains</li><li>- Thermal overload protection for electronics/motor</li><li>- Line undervoltage / phase failure detection</li></ul>
EMC immunity to interference	According to EN 61000-6-2 (industrial environment)
EMC interference emission	According to EN 61000-6-3 (household environment), except EN 61000-3-2 for professionally used equipment with a total rated power greater than 1 kW
Touch current according to IEC 60990 (measuring circuit Fig. 4, TN system)	<= 3.5 mA
Electrical hookup	Terminal box
Protection class	I (with customer connection of protective earth)
Conformity with standards	EN 61800-5-1; CE
Approval	EAC ; CSA C22.2 No. 77 + CAN/CSA-E60730-1; UL 1004-7 + 60730-1

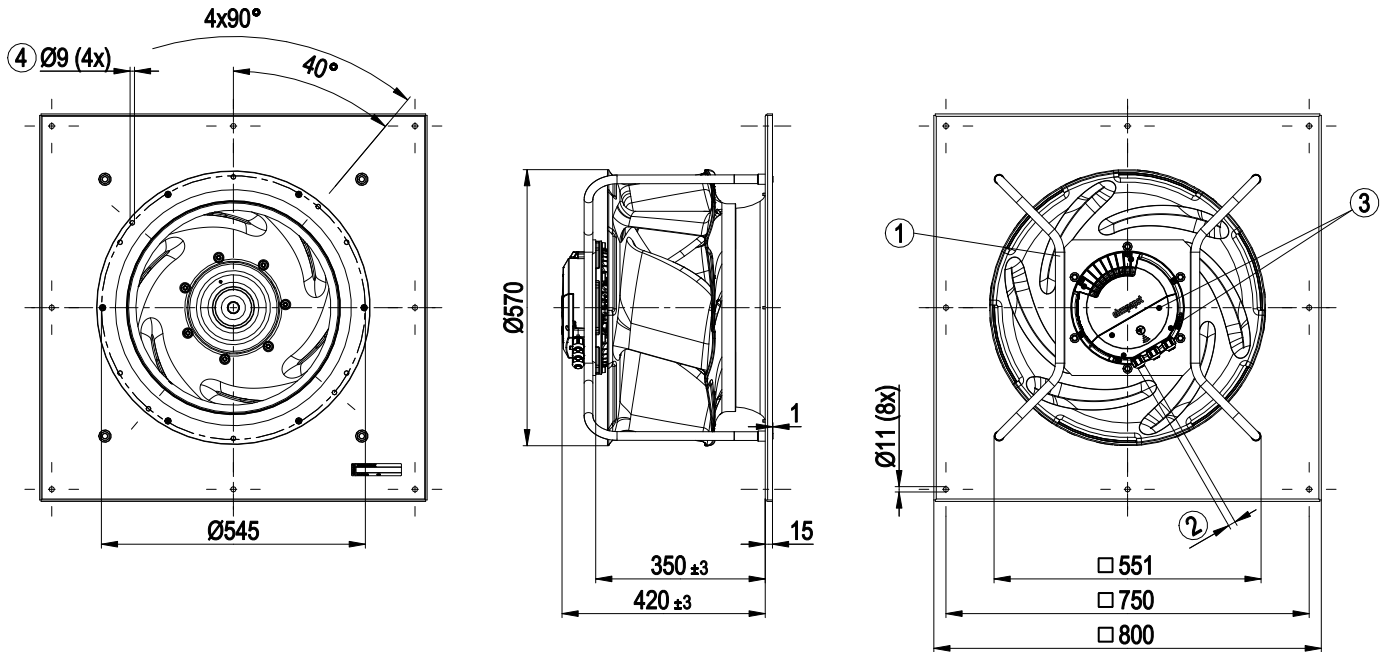


K3G560-8317081580  
8317081580

# EC centrifugal module - RadiCal

backward-curved, single-intake  
with support bracket

## Product drawing

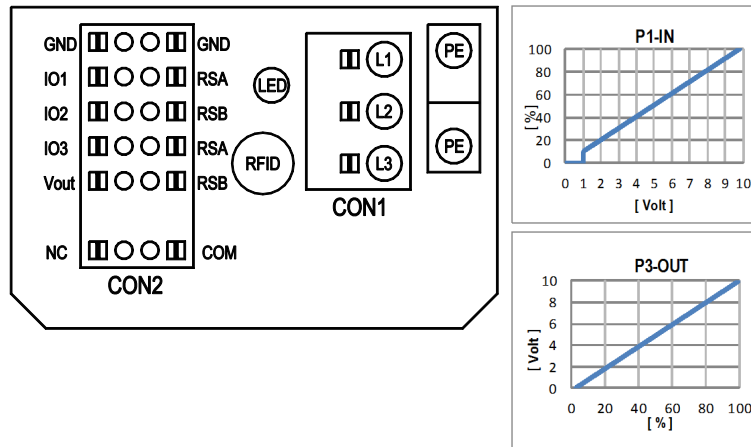


- |   |  |
|---|--|
| 1 | Installed position: shaft horizontal (install support struts only vertically as illustrated) or rotor on bottom; rotor on top on request |
| 2 | Cable diameter min. 4 mm, max. 10 mm, tightening torque $4 \pm 0.6$ Nm   |
| 3 | Tightening torque $1.5 \pm 0.2$ Nm   |
| 4 | Attachment holes for FlowGrid (00630-2-2957 not included in scope of delivery)   |

# EC centrifugal module - RadiCal

backward-curved, single-intake  
with support bracket

## Connection diagram



No.	Conn.	Designation	Function/assignment
	CON1	L1, L2, L3	Power supply, phase, see nameplate for voltage range
	PE	PE	Protective earth
	CON2	RSA	RS485 interface for MODBUS, RSA; SELV
	CON2	RSB	RS485 interface for MODBUS, RSB; SELV
	CON2	GND	Reference ground for control interface, SELV
	CON2	IO1	Function parameterizable (see "Optional interface functions" table) Factory setting: Digital input - high active, function: Disable input, SELV - inactive: Pin open or applied voltage < 1.5 VDC - active: applied voltage 3.5-50 VDC Reset function: Triggering of error reset on change of state from "enabled" to "disabled"
	CON2	IO2	Function parameterizable (see "Optional interface functions" table) Factory setting: Analog input 0-10 V / PWM, Ri=100 kΩ, function: Set value Characteristic curve parameterizable (see input characteristic curve P1-IN), SELV
	CON2	IO3	Function parameterizable (see "Optional interface functions" table) Factory setting: Analog output 0-10 V, max. 5 mA, function: Fan modulation level Characteristic curve parameterizable (see output characteristic curve P3-OUT), SELV
	CON2	Vout	Voltage output 3.3-24 VDC ±5%, Pmax=800 mW, voltage parameterizable Factory setting: 10 VDC short-circuit-proof, supply for external devices, SELV alternatively: 15-50 VDC input for parameterization via MODBUS without line voltage
	CON2	COM	Status relay, floating status contact, common connection, contact rating 250 VAC / 2 A (AC1) / min. 10 mA, reinforced insulation on supply side and on control interface side
	CON2	NC	Status relay, floating status contact, break for failure
		LED	green: status = good, ready for operation orange: status = warning red: status = failure
		P1-IN	Input characteristic curve
		P3-OUT	Output characteristic curve

## Terminal/plug assignment

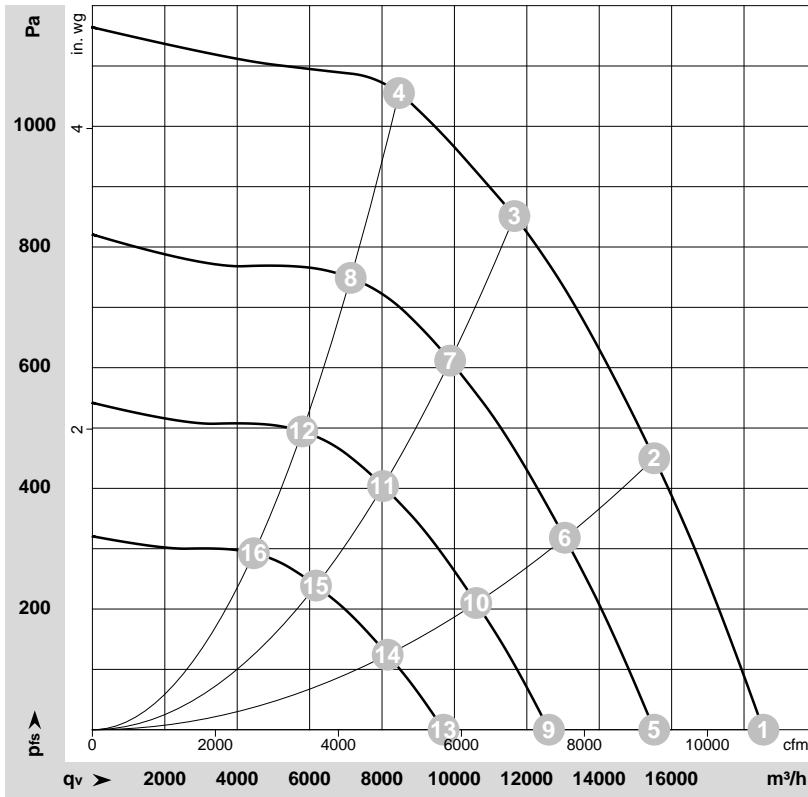
CON2	configurable IO mode	electrical specification	configurable IO functions: normal / inverse	MODBUS Register for IO mode configuration	D158 [0]
101	<ul style="list-style-type: none"> <li>AIN10-10V/PWM: analog input</li> </ul>	active: applied voltage 3.5-50VDC, SELV			
		RI=100K, characteristic curve parameterizable, $f_{PWM}=1k..10kHz$ , SELV			
		Umax=50VDC, Imax=20mA SELV			
102	<ul style="list-style-type: none"> <li>PWMIn3: digital input</li> </ul>	not active: pin open or applied voltage < 1.5VDC			
		active: applied voltage 3.5-50VDC, SELV			
		RI=100K, characteristic curve parameterizable, $f_{PWM}=1k..10kHz$ , SELV			
103	<ul style="list-style-type: none"> <li>PWMIn3: digital input</li> </ul>	not active: pin open or applied voltage < 1.5VDC			
		active: applied voltage 3.5-50VDC, SELV			
		not active: pin open or applied voltage < 1.5VDC, SELV			
Vout	<ul style="list-style-type: none"> <li>alternatively: input auxiliary power supply for parameterization via RS485/MODBUS RTU without line voltage</li> </ul>	active: applied voltage < 1.5VDC, SELV			
		40Hz - 10kHz, characteristics parameterizable			
		not active: pin open or applied voltage 3.5-50VDC			
		function parameterizable, max. 5mA, max output frequency 300Hz, SELV			
		0-10V max. 5mA, max output frequency 300Hz, SELV			
		0-10V max. 5mA, max output frequency 300Hz, SELV			
		MODBUS RTU, specification V6.0, SELV			

o configurable option

For further information and additional functions see EC Control Software: Fan-Set-App. or MODBUS Parameter Specification V6.0



## Curves: Air performance 50 Hz



$\rho = 1.15 \text{ kg/m}^3 \pm 2 \%$

Measurement: 13384

Air performance measured according to ISO 5801 installation category A. For detailed information on the measurement setup, contact ebm-papst. Intake sound level: Sound power level according to ISO 13347 / sound pressure level measured at 1 m distance from fan axis. The values given are valid under the specified measuring conditions and may vary due to conditions of installation. For deviations from the standard configuration, the parameters have to be checked on the installed unit.

## Fan performance

	Wired	U	f	n	P <sub>ed</sub>	I	LpA <sub>in</sub>	LwA <sub>in</sub>	LwA <sub>out</sub>	q <sub>v</sub>	p <sub>fs</sub>	q <sub>v</sub>	p <sub>fs</sub>
		V	Hz	min <sup>-1</sup>	W	A	dB(A)	dB(A)	dB(A)	m <sup>3</sup> /h	Pa	cfm	in. wg
1	3~	400	50	1900	2299	3.57	91	97	101	18535	0	10910	0.00
2	3~	400	50	1900	3480	5.32	88	92	96	15520	450	9135	1.81
3	3~	400	50	1900	3950	6.00	72	80	86	11660	850	6860	3.41
4	3~	400	50	1900	3950	6.00	77	84	89	8470	1050	4985	4.22
5	3~	400	50	1600	1349	2.10	86	92	96	15520	0	9135	0.00
6	3~	400	50	1600	2065	3.16	84	87	92	13050	320	7680	1.28
7	3~	400	50	1600	2404	3.67	68	75	82	9880	612	5815	2.46
8	3~	400	50	1600	2359	3.60	73	80	84	7135	749	4200	3.01
9	3~	400	50	1300	724	1.12	81	87	91	12610	0	7420	0.00
10	3~	400	50	1300	1108	1.69	78	82	86	10605	212	6240	0.85
11	3~	400	50	1300	1289	1.97	63	70	76	8030	404	4725	1.62
12	3~	400	50	1300	1265	1.93	68	74	79	5795	495	3410	1.99
13	3~	400	50	1000	329	0.51	74	80	85	9700	0	5710	0.00
14	3~	400	50	1000	504	0.77	72	75	80	8155	125	4800	0.50
15	3~	400	50	1000	587	0.90	56	64	70	6175	239	3635	0.96
16	3~	400	50	1000	576	0.88	61	68	73	4460	293	2625	1.18

Wired = Wiring · U = Voltage · f = Frequency · n = Speed (rpm) · P<sub>ed</sub> = Power consumption · I = Current draw · LpA<sub>in</sub> = Sound pressure level intake side · LwA<sub>in</sub> = Sound power level intake side  
LwA<sub>out</sub> = Sound power level outlet side · q<sub>v</sub> = Air flow · p<sub>fs</sub> = Pressure increase