

EC centrifugal module

backward curved, single inlet

with support bracket

K3G310-AN43-72 ebmpapst Datasheet

sales@fansco.com

www.fansco.com

Limited partnership · Headquarters Mulfingen
County court Stuttgart · HRA 590344

General partner Elektrobau Mulfingen GmbH · Headquarters Mulfingen
County court Stuttgart · HRB 590142



Nominal data

Type	K3G310-AN43-72	
Motor	M3G084-FA	
Phase		1~
Nominal voltage	VAC	230
Nominal voltage range	VAC	200 .. 277
Frequency	Hz	50/60
Type of data definition		ml
Speed	min ⁻¹	2435
Power input	W	470
Current draw	A	3.0
Min. ambient temperature	°C	-25
Max. ambient temperature	°C	45

ml = max. load · me = max. efficiency · fa = running at free air · cs = customer specs · cu = customer unit
Subject to alterations

Data according to ErP directive

		Actual	Request 2013	Request 2015
Installation category	A			
Efficiency category	Static			
Variable speed drive	Yes			
Specific ratio*	1.01			
Overall efficiency η_{es}		60.6	44	48
Efficiency grade N		74.6	58	62
Power input P_{ed}	kW	0.46		
Air flow q_v	m ³ /h	1810		
Pressure increase p_{fs}	Pa	507		
Speed n	min ⁻¹	2455		

Data established at point of optimum efficiency



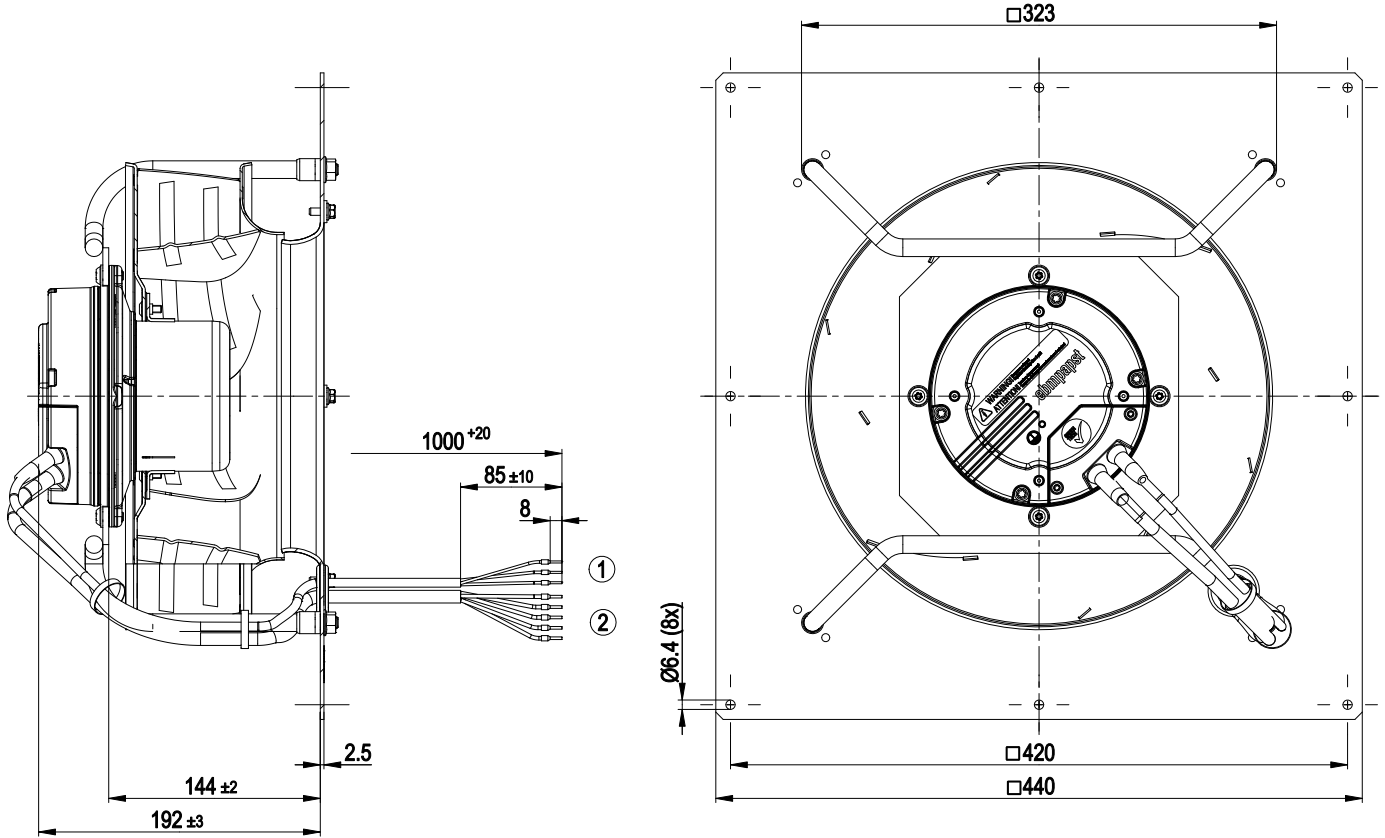
Technical features

Mass	8.3 kg
Size	310 mm
Surface of rotor	Coated in black
Material of electronics housing	Die-cast aluminium
Material of impeller	Aluminium sheet
Material of support bracket	Steel, coated in black
Material of inlet nozzle	Aluminium sheet
Number of blades	6
Direction of rotation	Clockwise, seen on rotor
Type of protection	IP 54
Insulation class	"B"
Humidity class	F3-1
Max. permissible ambient motor temp. (transp./ storage)	+80 °C
Min. permissible ambient motor temp. (transp./storage)	-40 °C
Mounting position	Shaft horizontal or rotor on top; rotor on bottom on request
Condensate discharge holes	None
Operation mode	S1
Motor bearing	Ball bearing
Technical features	<ul style="list-style-type: none"> - Output 10 VDC, max. 1.1 mA - Alarm relay - Motor current limit - Soft start - Control input 0-10 VDC / PWM - Control interface with SELV potential safely disconnected from the mains - Over-temperature protected electronics / motor - Line undervoltage detection
EMC interference immunity	Acc. to EN 61000-6-2 (industrial environment)
EMC interference emission	Acc. to EN 61000-6-3 (household environment)
Touch current acc. IEC 60990 (measuring network Fig. 4, TN system)	<= 3.5 mA
Motor protection	Thermal overload protector (TOP) wired internally
Cable exit	Variable
Protection class	I (if protective earth is connected by customer)
Product conforming to standard	EN 61800-5-1; CE
Approval	UL 2111; CSA C22.2 Nr.77

EC centrifugal module

backward curved, single inlet
with support bracket

Product drawing



- | | |
|---|--|
| 1 | Connection line PVC AWG22; 3x crimped core-end sleeves |
| 2 | Connection line PVC AWG18; 5x crimped core-end sleeves |



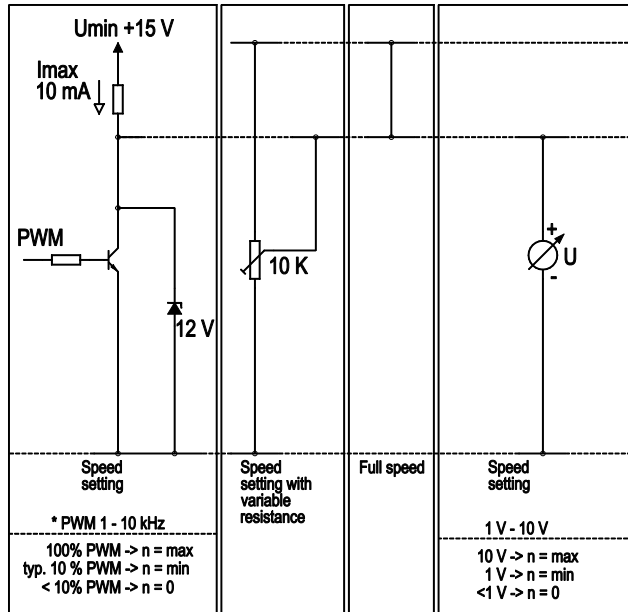
EC centrifugal module

backward curved, single inlet
with support bracket

Connection screen

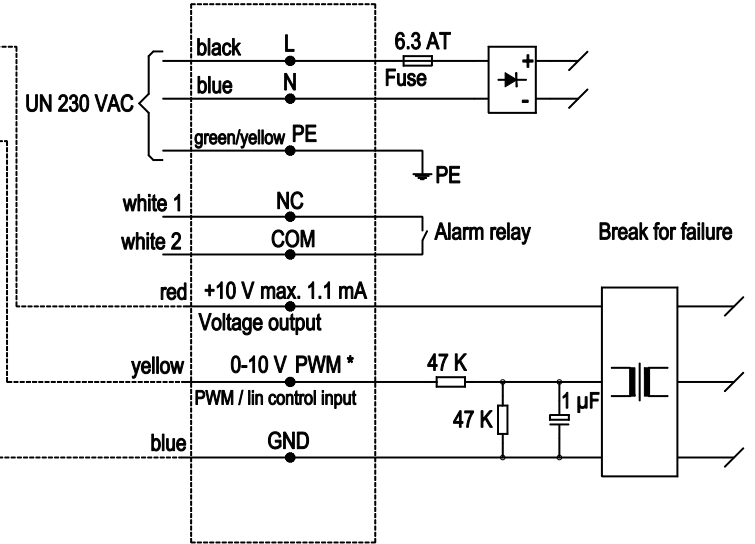
Customer circuit

Notes on various control possibilities and their applications

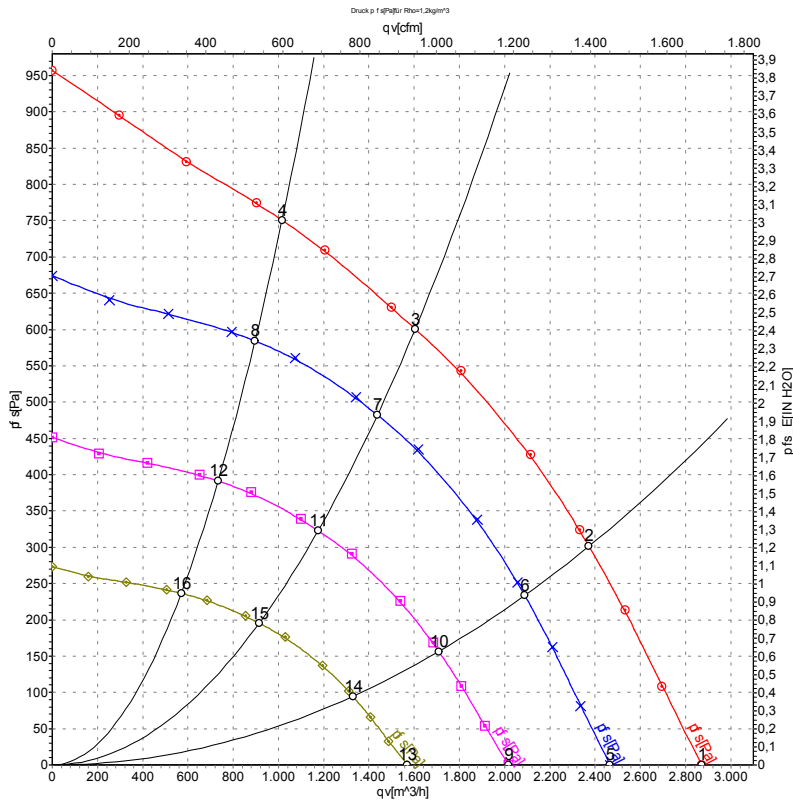


Connection

Fan / motor



Charts: Air flow 50 Hz



Measurement: LU-112311

Air performance measured as per ISO 5801 Installation category A. For detailed information on the measuring set-up, please contact ebm-papst. Suction-side noise levels: LwA measured as per ISO 13347 / LpA measured with 1m distance to fan axis. The values given are valid under the measuring conditions mentioned above and may vary according to the actual installation situation. With any deviation from the standard set-up, the specific values have to be checked and reviewed with the unit installed.

Measured values

	U	f	n	P _{ed}	I	qv	P _{fs}
	V	Hz	min ⁻¹	W	A	m ³ /h	Pa
1	230	50	2560	356	2.31	2870	0
2	230	50	2500	432	2.79	2375	300
3	230	50	2435	470	3.00	1605	600
4	230	50	2495	437	2.84	1015	750
5	230	50	2200	226	1.46	2465	0
6	230	50	2200	295	1.91	2090	234
7	230	50	2200	336	2.18	1440	482
8	230	50	2200	301	1.95	895	584
9	230	50	1800	124	0.80	2020	0
10	230	50	1800	162	1.04	1710	157
11	230	50	1800	184	1.19	1175	323
12	230	50	1800	165	1.07	735	391
13	230	50	1400	58	0.38	1570	0
14	230	50	1400	76	0.49	1330	95
15	230	50	1400	87	0.56	915	195
16	230	50	1400	77	0.50	570	237

U = Supply voltage · f = Frequency · n = Speed · P_{ed} = Power input · I = Current draw · qv = Air flow · P_{fs} = Pressure increase

