

K3G250-RE09-10

EC centrifugal module - RadiCal®

backward curved, single inlet

with housing



K3G250-RE09-10 ebmpapst Datasheet

sales@fansco.com

www.fansco.com

Limited partnership · Headquarters Muldingen
County court Stuttgart · HRA 590344

General partner Elektrobau Muldingen GmbH · Headquarters Muldingen
County court Stuttgart · HRB 590142



Nominal data

Type	K3G250-RE09-10	
Motor	M3G055-DF	
Phase		1~
Nominal voltage	VAC	230
Nominal voltage range	VAC	200 .. 240
Frequency	Hz	50/60
Type of data definition		ml
Speed	min ⁻¹	2510
Power input	W	170
Current draw	A	1.4
Min. ambient temperature	°C	-25
Max. ambient temperature	°C	60

ml = Max. load · me = Max. efficiency · fa = Running at free air · cs = Customer specs · cu = Customer unit
Subject to alterations

Data according to ErP directive

Installation category	A
Efficiency category	Static
Variable speed drive	Yes
Specific ratio*	1.00

* Specific ratio = $1 + p_{fs} / 100\,000 \text{ Pa}$

		Actual	Request 2013	Request 2015
Overall efficiency η_{es}	%	60.1	39.4	43.4
Efficiency grade N		78.7	58	62
Power input P_{ed}	kW	0.17		
Air flow q_v	m ³ /h	1005		
Pressure increase p_{fs}	Pa	322		
Speed n	min ⁻¹	2555		

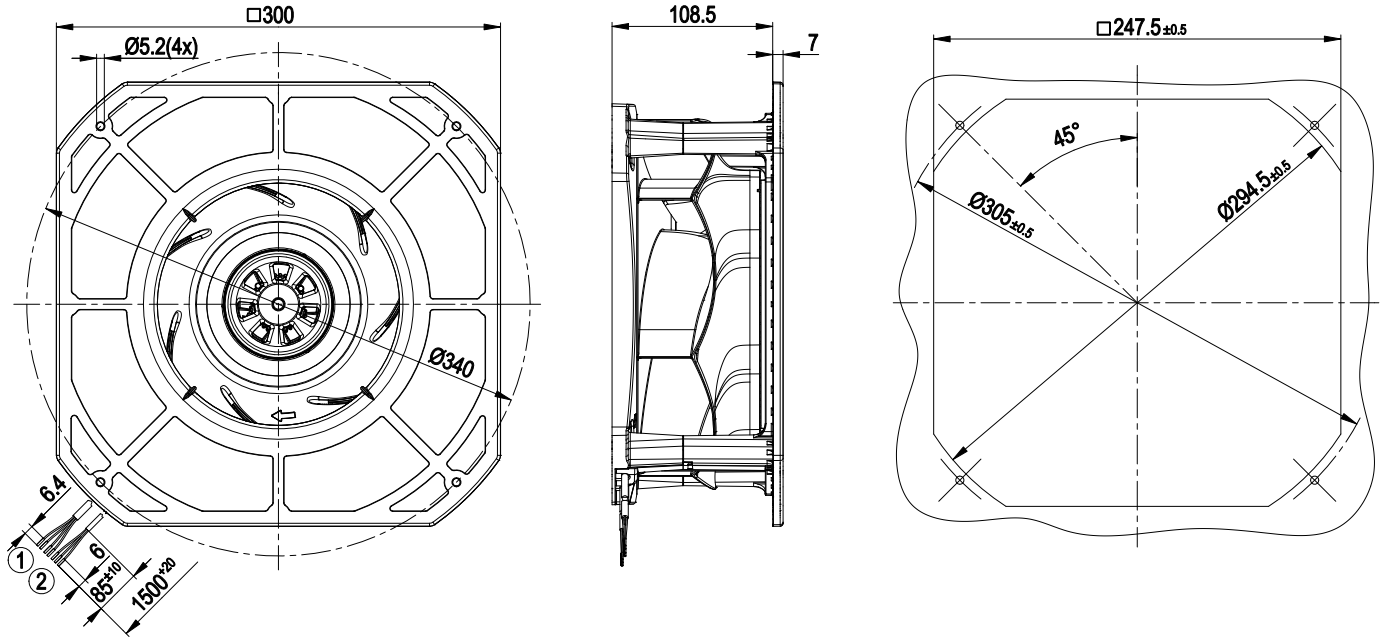
Data definition with optimum efficiency. LU-128144
The ErP data is determined using a motor-impeller combination in a standardised measurement configuration.



Technical features

Mass	2.8 kg
Size	250 mm
Surface of rotor	Thick layer passivated
Material of electronics housing	Die-cast aluminium
Material of impeller	PA plastic
Housing material	PA plastic
Number of blades	7
Direction of rotation	Clockwise, seen on rotor
Type of protection	IP 54
Insulation class	"B"
Max. permissible ambient motor temp. (transp./ storage)	+ 80 °C
Min. permissible ambient motor temp. (transp./storage)	- 40 °C
Mounting position	Any
Condensate discharge holes	None, open rotor
Operation mode	S1
Motor bearing	Ball bearing
Technical features	<ul style="list-style-type: none"> - Output 10 VDC, max. 1.1 mA - Tach output - Motor current limit - Soft start - Control input 0-10 VDC / PWM - Over-temperature protected electronics / motor - Line undervoltage detection
Touch current acc. IEC 60990 (measuring network Fig. 4, TN system)	<= 3.5 mA
Motor protection	Locked-rotor protection
Cable exit	Variable
Protection class	I (if protective earth is connected by customer)
Product conforming to standard	EN 60335-1; CE
Approval	CSA C22.2 Nr.77; UL 2111

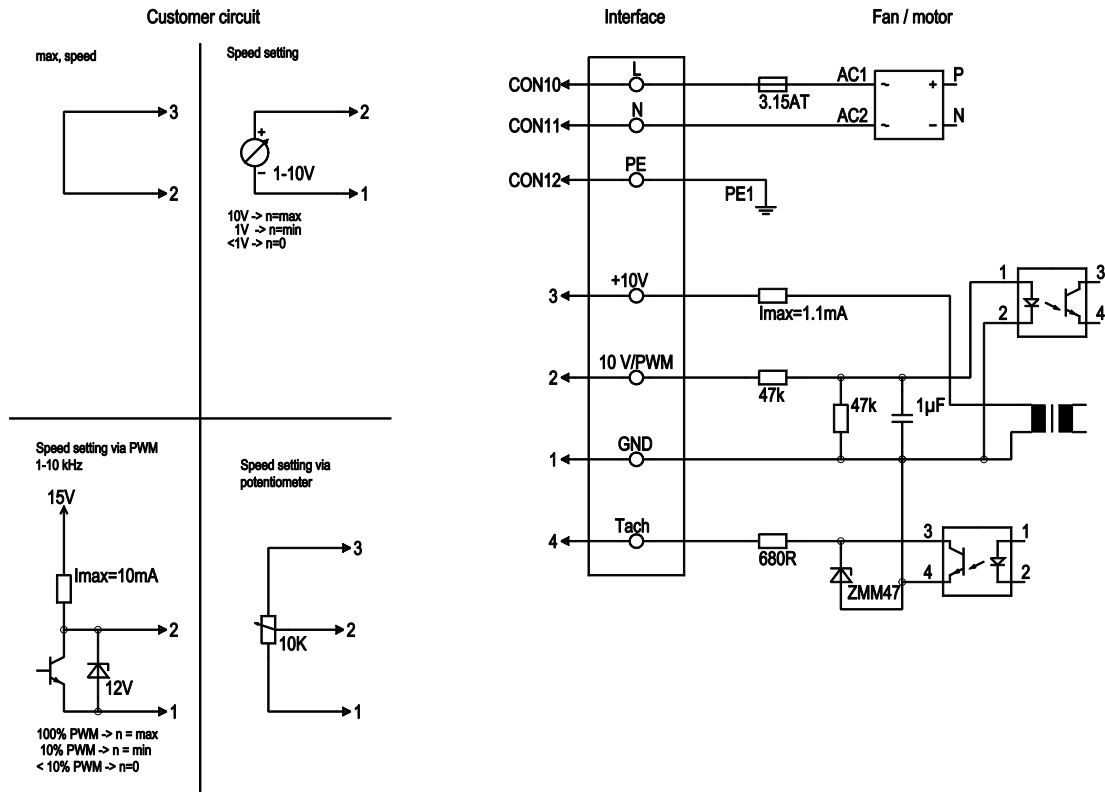
Product drawing



- | | |
|---|--|
| 1 | Connection line AWG22 4X 0.5mm ² , 4x lead tips crimped |
| 2 | Connection line AWG20 3X 0.5mm ² , 3x lead tips crimped |

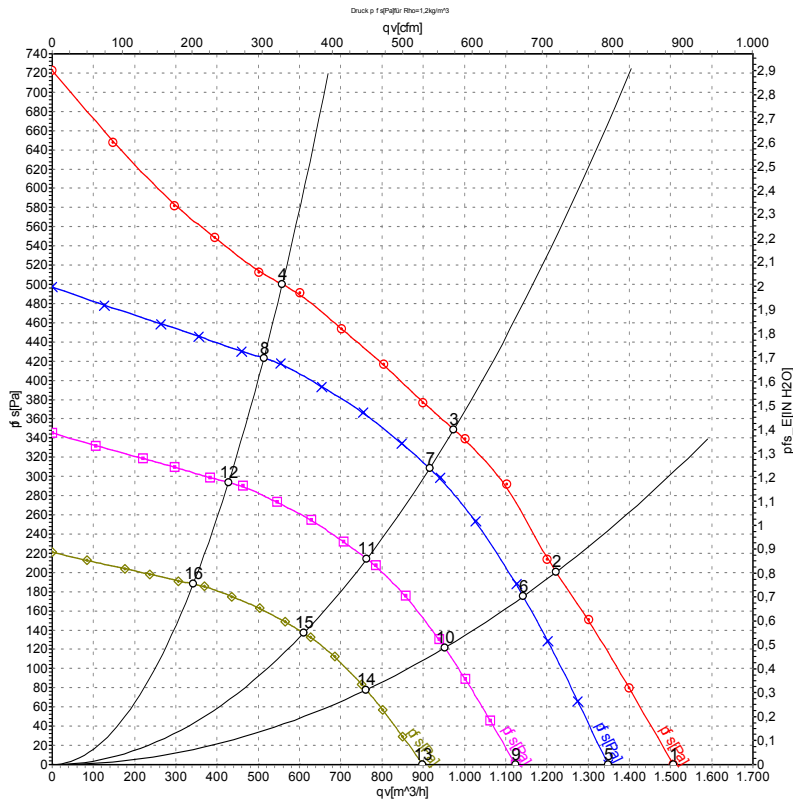
backward curved, single inlet
with housing

Connection screen



No.	Conn.	Designation	Colour	Function / assignment
	CON10	L	black	Power supply 230 VAC, 50-60 Hz, for voltage range refer to rating plate
	CON11	N	blue	Neutral conductor
	CON12	PE	green/yellow	Protective earth
	1	GND	blue	GND - Connection for control interface
	2	0- 10V PWM	yellow	Control input 0 - 10 V or PWM, electrically isolated
	3	10V/ max 1.1mA	red	Voltage output 10V/ 1.1mA, electrically isolated, not short-circuit-proof.
	4	Tach	white	Tach output: open collector, 1 pulse per revolution, electrically isolated

Charts: Air flow 50 Hz



Air performance measured as per ISO 5801 Installation category A. For detailed information on the measuring set-up, please contact ebmpapst. Suction-side noise levels: LwA measured as per ISO 13347 / LpA measured with 1m distance to fan axis. The values given are valid under the measuring conditions mentioned above and may vary according to the actual installation situation. With any deviation from the standard set-up, the specific values have to be checked and reviewed with the unit installed.

Measured values

	U	f	n	P _{ed}	I	LpA _{in}	LwA _{in}	qv	ps
	V	Hz	min ⁻¹	W	A	dB(A)	dB(A)	m ³ /h	Pa
1	230	50	2680	146	1.17	68	76	1505	0
2	230	50	2565	170	1.40	63	71	1225	200
3	230	50	2510	170	1.40	59	67	975	350
4	230	50	2610	160	1.28	65	73	560	500
5	230	50	2400	104	0.84	65	73	1350	0
6	230	50	2400	140	1.11	62	70	1145	176
7	230	50	2400	142	1.12	58	66	915	309
8	230	50	2400	125	1.00	64	71	515	423
9	230	50	2000	60	0.49	61	69	1125	0
10	230	50	2000	81	0.64	58	66	950	122
11	230	50	2000	82	0.65	54	62	765	214
12	230	50	2000	72	0.58	60	67	430	294
13	230	50	1600	31	0.25	57	65	900	0
14	230	50	1600	41	0.33	53	61	760	78
15	230	50	1600	42	0.33	49	57	610	137
16	230	50	1600	37	0.30	55	62	340	188

U = Supply voltage · f = Frequency · n = Speed · P_{ed} = Power input · I = Current draw · LpA_{in} = Sound pressure level inlet side · LwA_{in} = Sound power level inlet side · qv = Air flow
 ps = Pressure increase

