

EC centrifugal module - RadiCal

backward curved, single inlet

with housing

K3G190-RG19-14 ebmpapst Datasheet

sales@fansco.com

www.fansco.com

Limited partnership · Headquarters Muldingen
County court Stuttgart · HRA 590344

General partner Elektrobau Muldingen GmbH · Headquarters Muldingen
County court Stuttgart · HRB 590142

Nominal data

| | | |
|--------------------------|-----------------------|------------|
| Type | K3G190-RG19-14 | |
| Motor | M3G055-CF | |
| Phase | | 1~ |
| Nominal voltage | VAC | 230 |
| Nominal voltage range | VAC | 200 .. 240 |
| Frequency | Hz | 50/60 |
| Type of data definition | | ml |
| Speed (rpm) | min ⁻¹ | 3374 |
| Power input | W | 96 |
| Current draw | A | 0.8 |
| Min. ambient temperature | °C | -25 |
| Max. ambient temperature | °C | 60 |

ml = Max. load · me = Max. efficiency · fa = Running at free air · cs = Customer specs · cu = Customer unit
Subject to alterations



backward curved, single inlet
with housing

Technical features

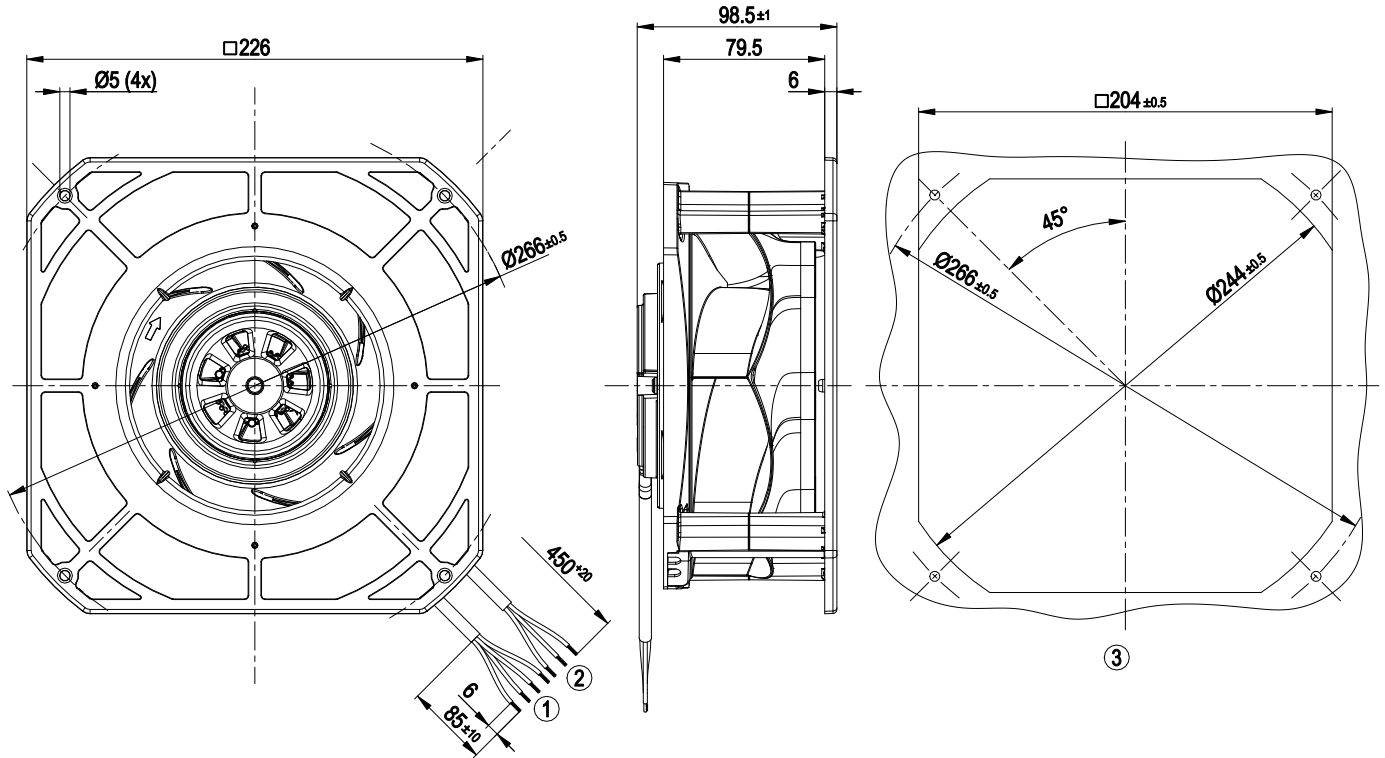
| | |
|--|---|
| Mass | 1.6 kg |
| Size | 190 mm |
| Surface of rotor | Thick layer passivated |
| Material of impeller | PA plastic |
| Number of blades | 7 |
| Direction of rotation | Clockwise, seen on rotor |
| Type of protection | IP54 |
| Insulation class | "B" |
| Humidity (F)/environmental protection class (H) | F3-1 |
| Max. permissible ambient motor temp. (transp./ storage) | + 80 °C |
| Min. permissible ambient motor temp. (transp./storage) | - 40 °C |
| Mounting position | Any |
| Condensate discharge holes | Rotor-side |
| Operation mode | S1 |
| Motor bearing | Ball bearing |
| Technical features | <ul style="list-style-type: none"> - Output 10 VDC, max. 10 mA - Tach output - Output limit - Motor current limit - Soft start - Control input 0-10 VDC / PWM - Control interface with SELV potential safely disconnected from the mains - Overvoltage detection - Over-temperature protected electronics / motor - Line undervoltage detection |
| Touch current acc. IEC 60990 (measuring network Fig. 4, TN system) | <= 0.25 mA |
| Motor protection | Locked-rotor protection |
| Cable exit | Variable |
| Protection class | I (if protective earth is connected by customer) |
| Product conforming to standard | EN 60335-1; CE |
| Approval | EAC |



EC centrifugal module - RadiCal

backward curved, single inlet
with housing

Product drawing



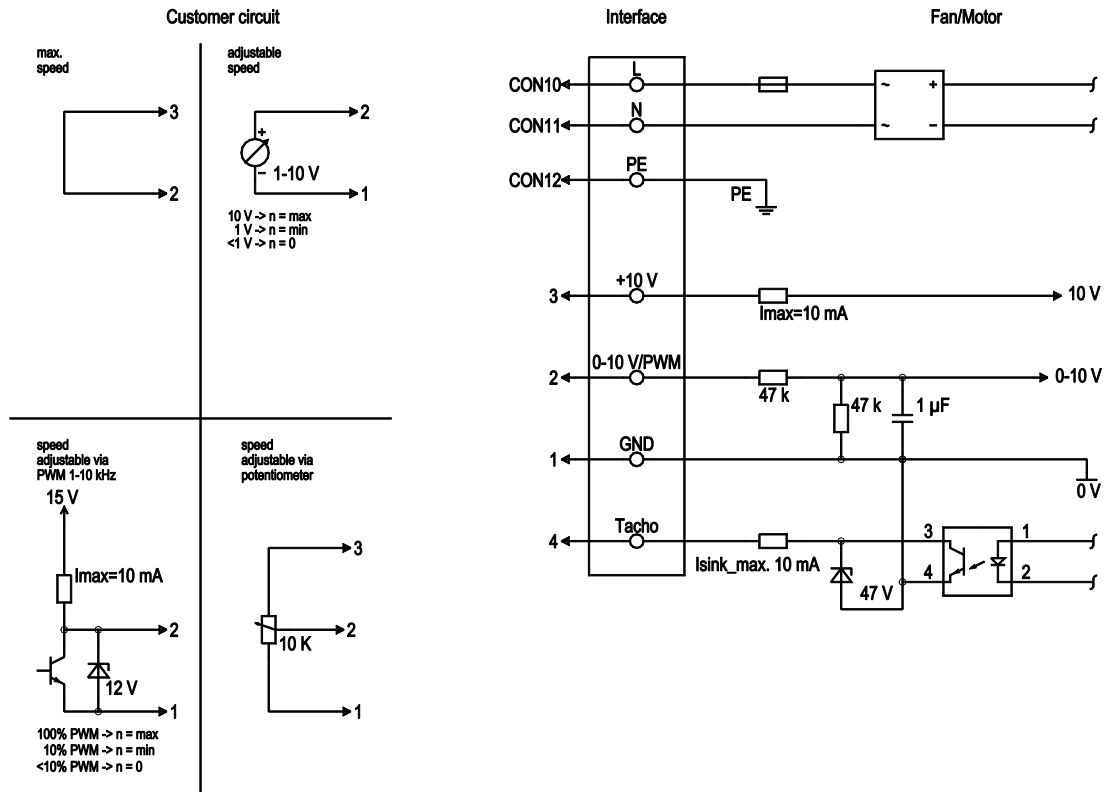
| | |
|---|---|
| 1 | Accessory part: Inlet nozzle 09576-2-4013 not included in scope of delivery |
| 2 | Thread reach max. 6 mm |
| 3 | Thread reach max. 6 mm |
| 4 | Connection line PVC 3G 0.5 mm ² ; 3x lead tips crimped |
| 5 | Connection line PVC 4X 0.25 mm ² ; 4x lead tips crimped |



EC centrifugal module - RadiCal

backward curved, single inlet
with housing

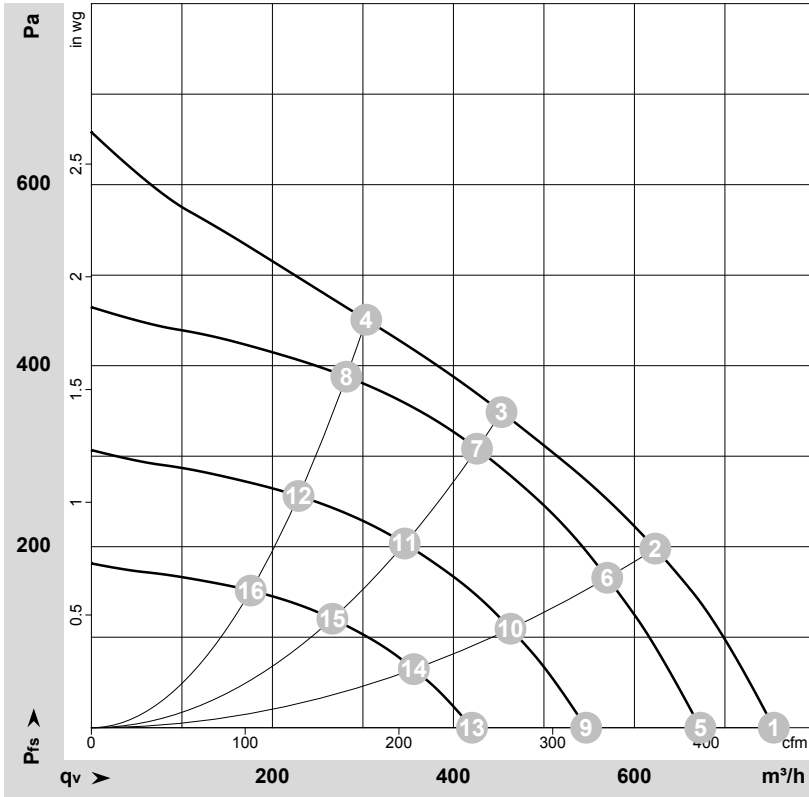
Connection screen



| No. | Conn. | Designation | Colour | Function / assignment |
|-----|-------|-------------|--------------|--|
| | CON10 | L | brown | Mains connection, power supply, phase, see type plate for voltage range |
| | CON11 | N | blue | Mains connection, power supply, neutral conductor, see type plate for voltage range |
| | CON12 | PE | green/yellow | Earth connection |
| | 2 | 0- 10V PWM | yellow | 0-10 V/PWM control input, Ri=100 kΩ, SELV |
| | 4 | Tach | white | Speed monitoring output, open collector, 1 pulse per revolution, Isink max = 10 mA, SELV |
| | 3 | +10 V | red | Fixed voltage output 10 VDC +/-3 %, Imax. 10 mA, short-circuit-proof, power supply for ext. devices (e.g. potentiometer), SELV |
| | 1 | GND | blue | Signal ground for control interface, SELV |



Charts: Air flow 50 Hz



$\rho = 1.15 \text{ kg/m}^3 \pm 2 \%$

Measurement: LU-170599-1

Air performance measured as per ISO 5801 Installation category A. For detailed information on the measuring set-up, please contact ebmpapst. Suction-side noise levels: LwA measured as per ISO 13347 / LpA measured with 1m distance to fan axis. The values given are valid under the measuring conditions mentioned above and may vary according to the actual installation situation. With any deviation from the standard set-up, the specific values have to be checked and reviewed with the unit installed.

Measured values

| | U | f | n | P _{ed} | I | q _v | P _{fs} | q _v | P _{fs} |
|----|-----|----|-------------------|-----------------|------|-------------------|-----------------|----------------|--------------------|
| | V | Hz | min ⁻¹ | W | A | m ³ /h | Pa | cfm | inH ₂ O |
| 1 | 230 | 50 | 3585 | 84 | 0.72 | 755 | 0 | 445 | 0.00 |
| 2 | 230 | 50 | 3500 | 90 | 0.77 | 625 | 200 | 365 | 0.80 |
| 3 | 230 | 50 | 3375 | 96 | 0.80 | 455 | 350 | 265 | 1.41 |
| 4 | 230 | 50 | 3450 | 93 | 0.80 | 305 | 450 | 180 | 1.81 |
| 5 | 230 | 50 | 3200 | 59 | 0.51 | 675 | 0 | 395 | 0.00 |
| 6 | 230 | 50 | 3200 | 68 | 0.59 | 570 | 166 | 335 | 0.67 |
| 7 | 230 | 50 | 3200 | 81 | 0.69 | 425 | 308 | 250 | 1.24 |
| 8 | 230 | 50 | 3200 | 75 | 0.64 | 280 | 388 | 165 | 1.56 |
| 9 | 230 | 50 | 2600 | 32 | 0.27 | 545 | 0 | 320 | 0.00 |
| 10 | 230 | 50 | 2600 | 37 | 0.31 | 465 | 110 | 275 | 0.44 |
| 11 | 230 | 50 | 2600 | 43 | 0.37 | 345 | 204 | 205 | 0.82 |
| 12 | 230 | 50 | 2600 | 40 | 0.34 | 230 | 256 | 135 | 1.03 |
| 13 | 230 | 50 | 2000 | 15 | 0.12 | 420 | 0 | 250 | 0.00 |
| 14 | 230 | 50 | 2000 | 17 | 0.14 | 355 | 65 | 210 | 0.26 |
| 15 | 230 | 50 | 2000 | 20 | 0.17 | 265 | 120 | 155 | 0.48 |
| 16 | 230 | 50 | 2000 | 18 | 0.16 | 175 | 152 | 105 | 0.61 |

U = Supply voltage · f = Frequency · n = Speed (rpm) · P_{ed} = Power input · I = Current draw · q_v = Air flow · P_{fs} = Pressure increase

