

K3G190-RG19-10

EC centrifugal module - RadiCal

backward curved, single inlet

with housing



K3G190-RG19-10 ebmpapst Datasheet

sales@fansco.com

www.fansco.com

Limited partnership · Headquarters Muldingen
County court Stuttgart · HRA 590344

General partner Elektrobau Muldingen GmbH · Headquarters Muldingen
County court Stuttgart · HRB 590142

Nominal data

Type	K3G190-RG19-10	
Motor	M3G055-CF	
Phase		1~
Nominal voltage	VAC	230
Frequency	Hz	50/60
Type of data definition		ml
Speed (rpm)	min ⁻¹	3374
Power input	W	96
Current draw	A	0.8
Min. ambient temperature	°C	-25
Max. ambient temperature	°C	60

ml = Max. load · me = Max. efficiency · fa = Running at free air · cs = Customer specs · cu = Customer unit
Subject to alterations



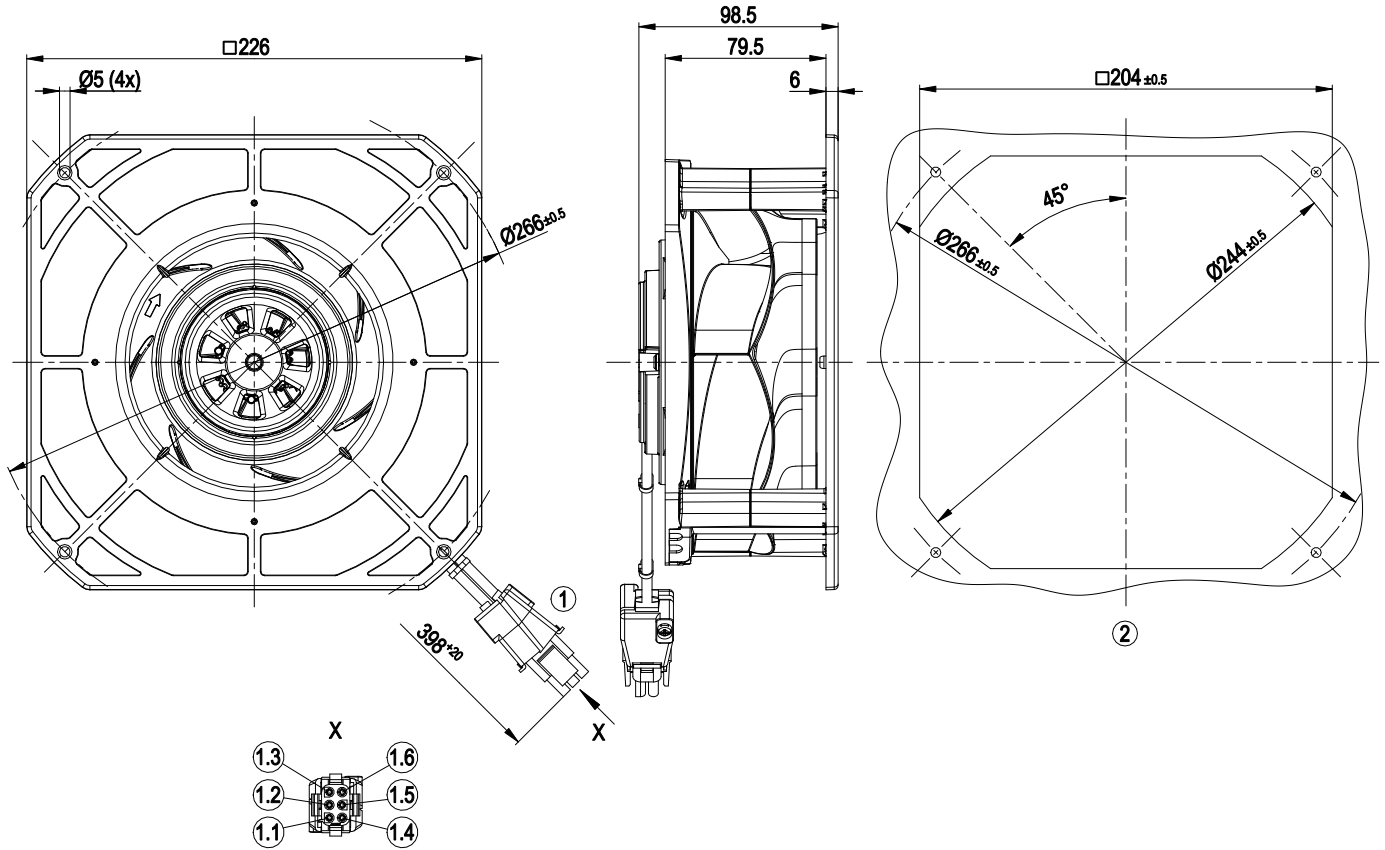
Technical features

Mass	1.7 kg
Size	190 mm
Surface of rotor	Thick layer passivated
Material of electronics housing	Die-cast aluminium
Material of impeller	PA plastic
Number of blades	7
Direction of rotation	Clockwise, seen on rotor
Type of protection	IP54
Insulation class	"B"
Humidity (F)/environmental protection class (H)	F3-1
Max. permissible ambient motor temp. (transp./ storage)	+ 80 °C
Min. permissible ambient motor temp. (transp./storage)	- 40 °C
Mounting position	Any
Condensate discharge holes	None, open rotor
Operation mode	S1
Motor bearing	Ball bearing
Technical features	<ul style="list-style-type: none"> - Tach output - Output limit - Motor current limit - Soft start - Control input 0-10 VDC / PWM - Control interface with SELV potential safely disconnected from the mains - Overvoltage detection - Over-temperature protected electronics / motor - Line undervoltage detection
Touch current acc. IEC 60990 (measuring network Fig. 4, TN system)	<= 0.25 mA
Motor protection	Locked-rotor protection
Cable exit	Variable
Protection class	I (if protective earth is connected by customer)
Product conforming to standard	EN 60335-1; CE

EC centrifugal module - RadiCal

backward curved, single inlet
with housing

Product drawing



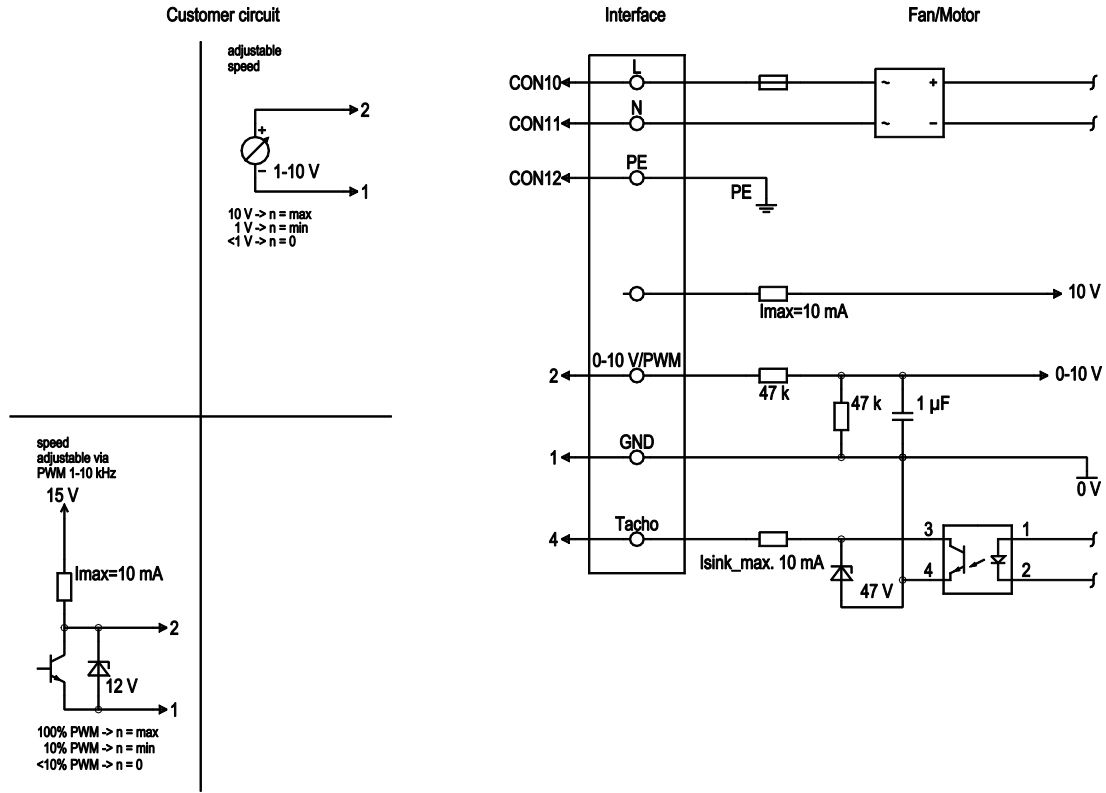
1	Connection line PVC 3G 0.5 mm ² , connection line 3x 0.25 mm ² , 6-pole connector housing tyco 1-640721-0, 6-pole connector housing tyco 1586846-1, 1x plug pin tyco 350654-1 (green/yellow), 5x plug pin tyco 926885-1
1.1	0-10 V PWM (yellow)
1.2	GND (blue)
1.3	Tach (white)
1.4	L (brown)
1.5	N (blue)
1.6	PE (green/yellow)
2	Mounting dimensions



EC centrifugal module - RadiCal

backward curved, single inlet
with housing

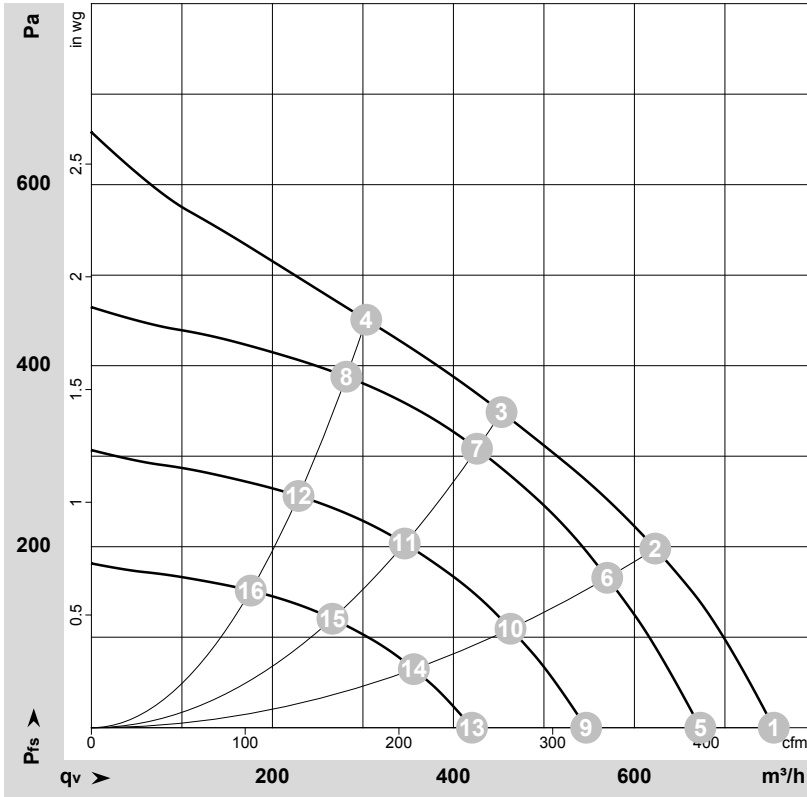
Connection screen



No.	Conn.	Designation	Colour	Function / assignment
	CON10	L	brown	Mains connection, power supply, phase, see type plate for voltage range
	CON11	N	blue	Mains connection, power supply, neutral conductor, see type plate for voltage range
	CON12	PE	green/yellow	Earth connection
	2	0- 10V PWM	yellow	0-10 V/PWM control input, R _i =100 kΩ, SELV
	4	Tach	white	Speed monitoring output, open collector, 1 pulse per revolution, I _{sink max} = 10 mA, SELV
	1	GND	blue	Signal ground for control interface, SELV



Charts: Air flow 50 Hz



$\rho = 1.15 \text{ kg/m}^3 \pm 2 \%$

Measurement: LU-170599-1

Air performance measured as per ISO 5801 Installation category A. For detailed information on the measuring set-up, please contact ebmpapst. Suction-side noise levels: LwA measured as per ISO 13347 / LpA measured with 1m distance to fan axis. The values given are valid under the measuring conditions mentioned above and may vary according to the actual installation situation. With any deviation from the standard set-up, the specific values have to be checked and reviewed with the unit installed.

Measured values

	U	f	n	P _{ed}	I	q _v	P _{fs}	q _v	P _{fs}
	V	Hz	min ⁻¹	W	A	m ³ /h	Pa	cfm	inH ₂ O
1	230	50	3585	84	0.72	755	0	445	0.00
2	230	50	3500	90	0.77	625	200	365	0.80
3	230	50	3375	96	0.80	455	350	265	1.41
4	230	50	3450	93	0.80	305	450	180	1.81
5	230	50	3200	59	0.51	675	0	395	0.00
6	230	50	3200	68	0.59	570	166	335	0.67
7	230	50	3200	81	0.69	425	308	250	1.24
8	230	50	3200	75	0.64	280	388	165	1.56
9	230	50	2600	32	0.27	545	0	320	0.00
10	230	50	2600	37	0.31	465	110	275	0.44
11	230	50	2600	43	0.37	345	204	205	0.82
12	230	50	2600	40	0.34	230	256	135	1.03
13	230	50	2000	15	0.12	420	0	250	0.00
14	230	50	2000	17	0.14	355	65	210	0.26
15	230	50	2000	20	0.17	265	120	155	0.48
16	230	50	2000	18	0.16	175	152	105	0.61

U = Supply voltage · f = Frequency · n = Speed (rpm) · P_{ed} = Power input · I = Current draw · q_v = Air flow · P_{fs} = Pressure increase

