

K3G175-CF19-01

EC centrifugal module

backward curved, single inlet
with housing



K3G175-CF19-01 ebmpapst Datasheet
sales@fansco.com
www.fansco.com

Nominal data

Type	K3G175-CF19-01	
Motor	M3G055-CF	
Phase		1~
Nominal voltage	VAC	230
Frequency	Hz	50/60
Type of data definition		ml
Speed	min ⁻¹	4200
Power input	W	118
Current draw	A	0.9
Min. ambient temperature	°C	-25
Max. ambient temperature	°C	+60

ml = max. load · me = max. efficiency · fa = running at free air · cs = customer specs · cu = customer unit
Subject to alterations

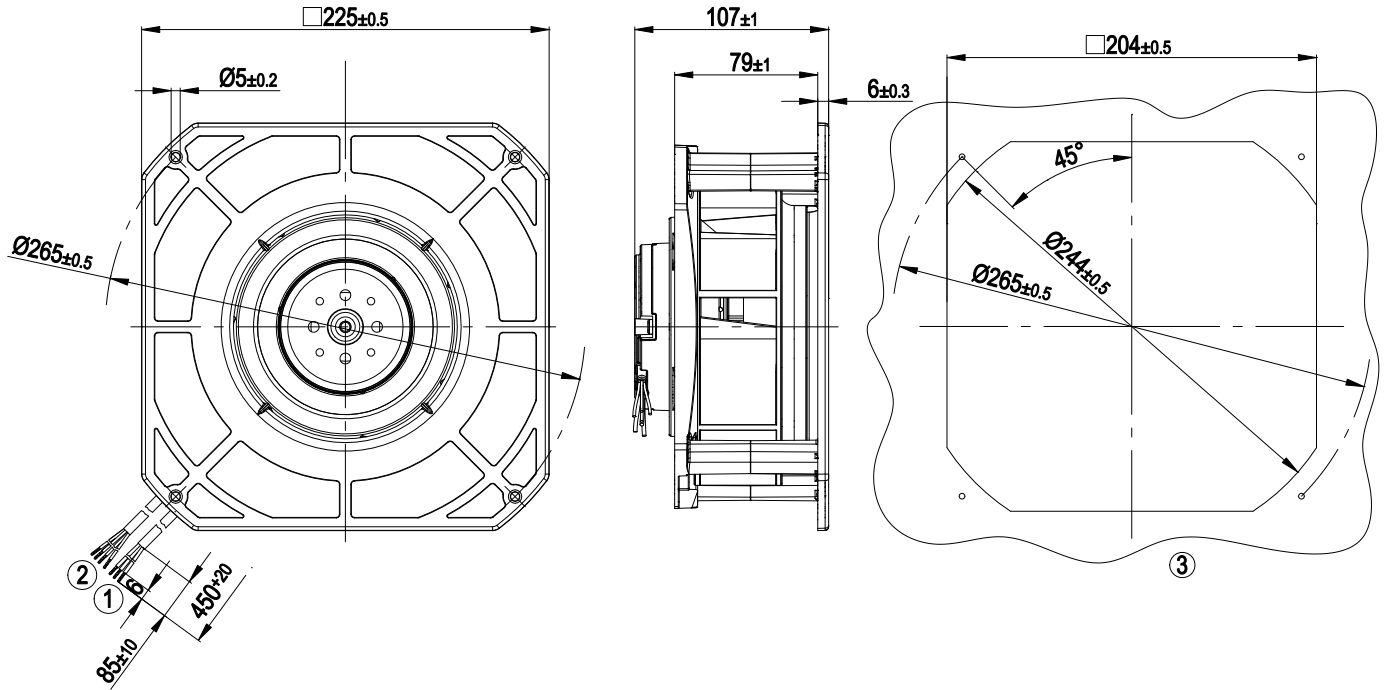


Technical features

Mass	1.6 kg
Size	175 mm
Surface of rotor	Thick layer passivated
Material of electronics housing	Die-cast aluminium
Material of impeller	Plastic PA66, fibreglass-reinforced
Housing material	Plastic PA6, fibreglass-reinforced
Number of blades	7
Direction of rotation	Clockwise, seen on rotor
Type of protection	IP 44
Insulation class	"B"
Humidity class	F3-1
Max. permissible ambient motor temp. (transp./ storage)	+ 80 °C
Min. permissible ambient motor temp. (transp./storage)	- 40 °C
Mounting position	Any
Condensate discharge holes	Rotor-side
Operation mode	S1
Motor bearing	Ball bearing
Technical features	<ul style="list-style-type: none"> - Output 10 VDC, max. 1.1 mA - Tach output - Motor current limit - Soft start - Control input 0-10 VDC / PWM
EMC interference immunity	Acc. to EN 61000-6-2 (industrial environment)
EMC interference emission	Acc. to EN 61000-6-3 (household environment)
EMC harmonics	Acc. to EN 61000-3-2/3
Leakage current	<= 3.5 mA
Motor protection	Reverse polarity and locked-rotor protection
Cable exit	Variable
Protection class	I (if protective earth is connected by customer)
Product conforming to standard	EN 60335-1



Product drawing



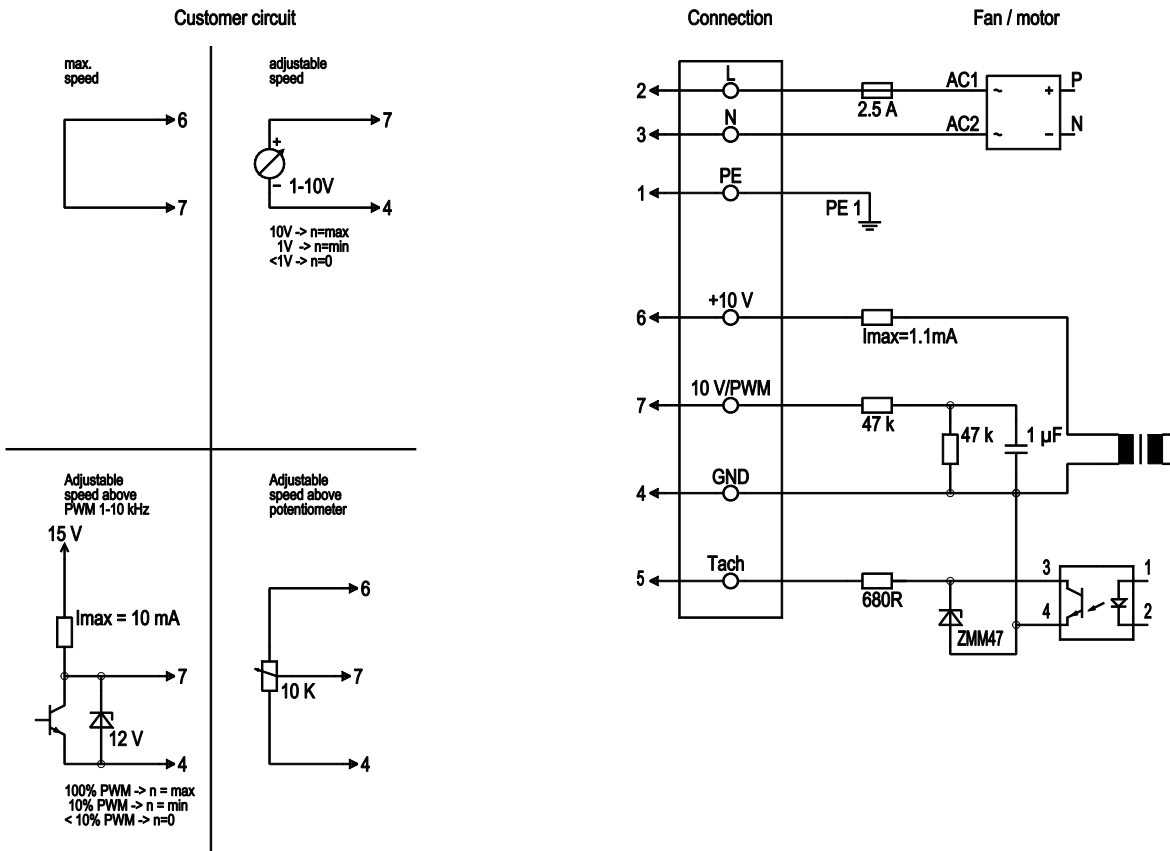
1	Connection line PVC 3G 0.5mm ² ; 3x brass lead tips crimped
2	Connection line PVC 4x 0.25 mm ² ; 4 x brass lead tips crimped
3	Mounting dimensions



EC centrifugal module

backward curved, single inlet
with housing

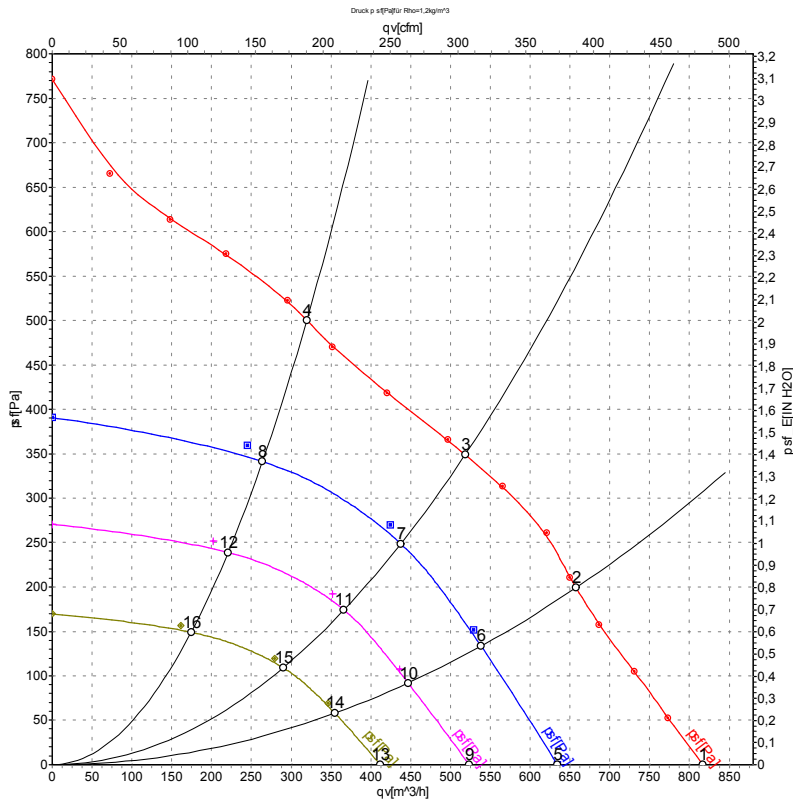
Connection screen



Line	No.	Signal	Colour	Function / assignment
	2	L	brown	Power supply 230 VAC, 50-60 Hz, see type plate for voltage range
	3	N	blue	Neutral conductor
	1	PE	green/yellow	Protective earth
	7	0-10 V PWM	yellow	Control input 0 - 10 V or PWM, electrically isolated
	5	Tacho	white	Tach output: Open Collector, 1 pulse per revolution, electrically isolated
	6	10V / max. 1.1 mA	red	Voltage output 10V / 1.1mA, electrically isolated, not short-circuit-proof
	4	GND	blue	GND - Connection for control interface



Charts: Air flow 50 Hz



Measurement: LU-117353
Measurement: LU-119194
Measurement: LU-119195
Measurement: LU-119196

Air performance measured as per ISO 5801 Installation category A. For detailed information on the measuring set-up, please contact ebm-papst. Suction-side noise levels: LwA measured as per ISO 13347 / LpA measured with 1m distance to fan axis. The values given are valid under the measuring conditions mentioned above and may vary according to the actual installation situation. With any deviation from the standard set-up, the specific values have to be checked and reviewed with the unit installed.

Measured values

	U	f	n	P _e	I	LpA _{in}	LwA _{in}	qv	p _{sf}
	V	Hz	min ⁻¹	W	A	dB(A)	dB(A)	m ³ /h	Pa
1	230	50	4485	99	0.72	72	80	815	0
2	230	50	4280	112	0.82	69	77	660	200
3	230	50	4200	118	0.90	68	75	520	350
4	230	50	4200	117	0.86	71	79	320	500
5	230	50	3500	50	0.39	68	75	635	0
6	230	50	3500	60	0.48	66	72	540	138
7	230	50	3500	71	0.56	64	71	440	255
8	230	50	3500	69	0.53	67	75	265	350
9	230	50	2900	30	0.24	63	70	525	0
10	230	50	2900	37	0.30	60	67	445	94
11	230	50	2900	43	0.34	60	67	365	178
12	230	50	2900	42	0.33	62	69	220	244
13	230	50	2300	18	0.16	57	65	410	0
14	230	50	2300	21	0.17	55	63	355	60
15	230	50	2300	25	0.21	54	62	290	112
16	230	50	2300	22	0.19	55	63	175	153

