

K3G133-AI01-02 ebmpapst Datasheet

sales@fansco.com

www.fansco.com

Phone: +49 7938 81-0

Fax: +49 7938 81-110

## Nominal data

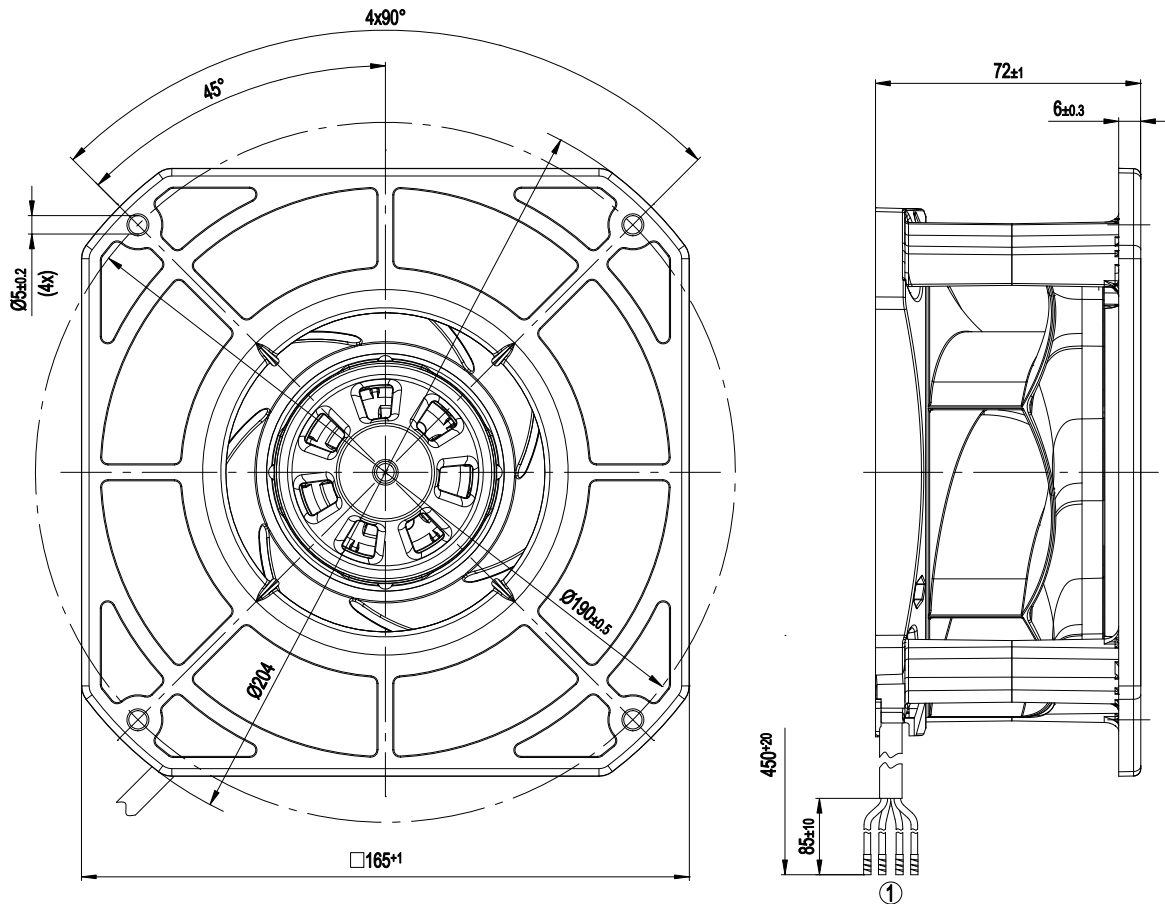
Type	K3G133-AI01-02	
Phase		1~
Nominal voltage	[VAC]	230
Frequency	[Hz]	50/60
Type of data definition		ml
State		prelim.
Speed	[min <sup>-1</sup> ]	3200
Power input	[W]	18
Current draw	[A]	0.12
Min. ambient temperature	[°C]	-25
Max. ambient temperature	[°C]	+60

ml = max. load · me = max. efficiency · rfa = running at free air · cs = customer specs · cu = customer unit  
 Subject to alterations

### Technical features

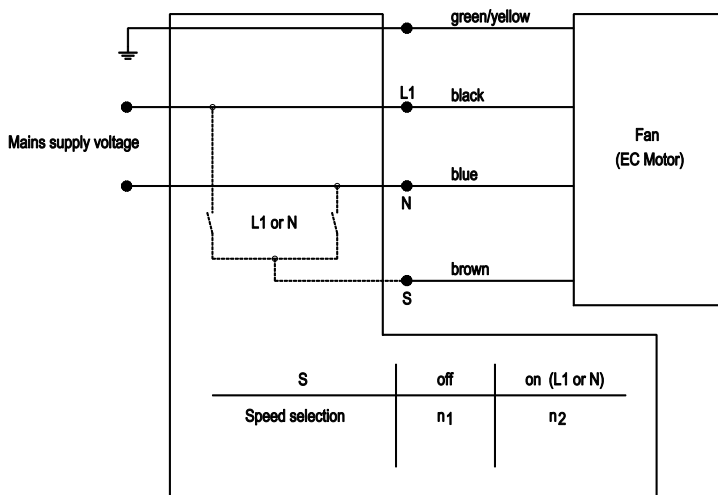
Size	133 mm
Operation mode	S1
Direction of rotation	Clockwise, seen on rotor
Speed steps	2
Mounting position	Any
Humidity class	F3-1
Insulation class	"B"
Cable exit	Lateral
Condensate discharge holes	None, open rotor
Bearing motor	Ball bearing
Mass	0.7 kg
Material of electronics housing	Die-cast aluminium
Housing material	Plastic PA6, fibreglass-reinforced
Material of impeller	Plastic PA6, fibreglass-reinforced
Motor protection	Locked-rotor protection
Product conforming to standard	EN 60335-1
Surface of rotor	Thick layer passivated
Number of blades	7
Type of protection	IP 54
Protection class	I
Technical features	- Speed selection max/min
Max. permissible ambient motor temp. (transp./ storage)	+ 80 °C
Min. permissible ambient motor temp. (transp./storage)	- 40 °C

## Product drawing

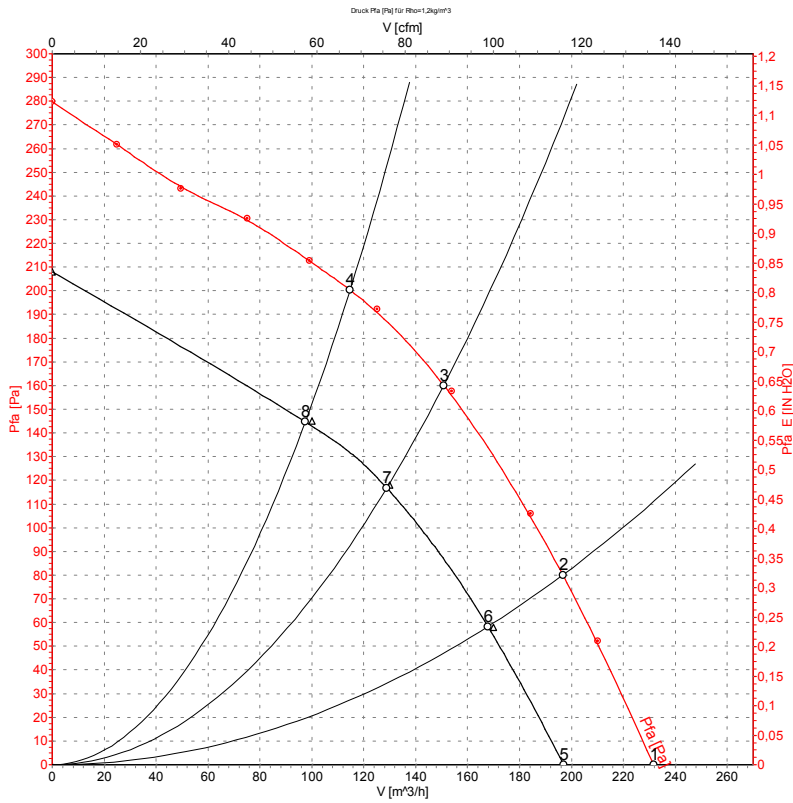


1 Connection line AWG 20, 4x brass lead tips crimped

## Connection screen



## Charts: Air flow 50 Hz



Measurement: LU-124711

## Measured values

	U	f	n	P <sub>1</sub>	I	LpA <sub>ss</sub>	LwA <sub>ss</sub>	$\hat{V}$	p <sub>fa</sub>
	[V]	[Hz]	[min <sup>-1</sup> ]	[W]	[A]	[dB(A)]	[dB(A)]	[m <sup>3</sup> /h]	[Pa]
1	230	50	3300	16	0.10	54	62	230	0
2	230	50	3240	17	0.12	52	60	195	80
3	230	50	3200	18	0.12	49	57	150	160
4	230	50	3225	18	0.12	49	57	115	200
5	230	50	2825	10	0.07	50	58	195	0
6	230	50	2765	11	0.07	48	56	170	58
7	230	50	2740	11	0.08	46	54	130	118
8	230	50	2750	11	0.07	46	54	95	145