

K3G097-BK32-42

EC dual centrifugal fan

forward-curved, dual-intake

with housing, Automotive



K3G097-BK32-42 ebmpapst Datasheet

sales@fansco.com

www.fansco.com

Nominal data

Type	K3G097-BK32-42	
Motor	M3G074-CF	
Nominal voltage	VDC	13
Nominal voltage range	VDC	9 .. 15
Method of obtaining data		ml
Speed (rpm)	min ⁻¹	3650
Power consumption	W	195
Current draw	A	15
Min. back pressure	Pa	300
Min. back pressure	in. wg	1.2
Min. ambient temperature	°C	-40
Max. ambient temperature	°C	70

ml = Max. load · me = Max. efficiency · fa = Free air · cs = Customer specification · ce = Customer equipment
Subject to change



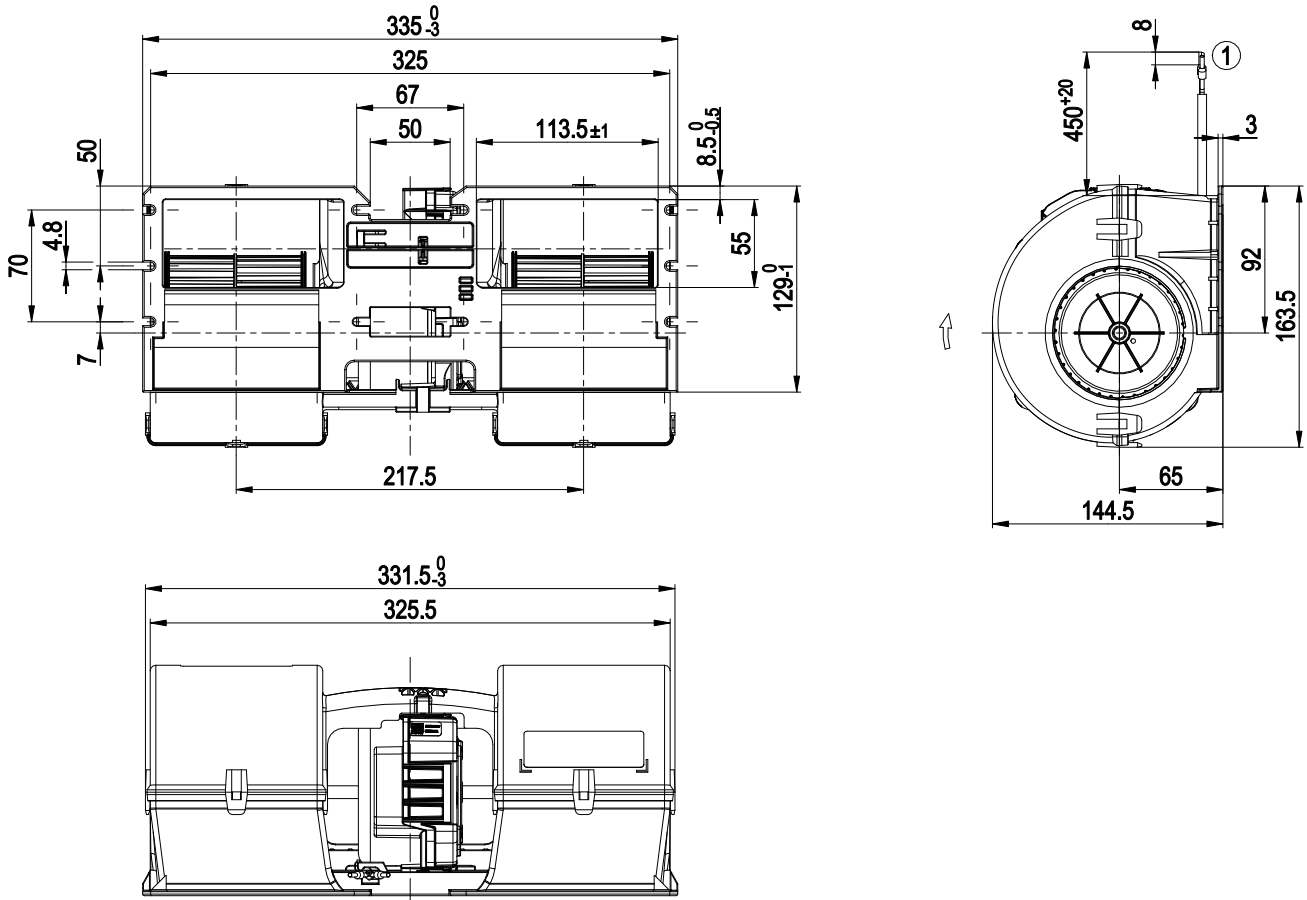
Technical description

Weight	2.4 kg
Size	97 mm
Motor size	74
Impeller material	PA plastic
Housing material	PP plastic
Number of blades	34
Direction of rotation	Clockwise, viewed toward rotor
Degree of protection	Motor IP24 KM
Insulation class	"B"
Moisture (F) / Environmental (H) protection class	H1
Max. permitted ambient temp. for motor (transport/storage)	+80 °C
Min. permitted ambient temp. for motor (transport/storage)	-40 °C
Installation position	Any
Condensation drainage holes	None, open rotor
Cooling hole/opening	On rotor side
Mode	S1
Motor bearing	Ball bearing; (sealed)
Life expectancy	40,000 h (typical)
Technical features	<ul style="list-style-type: none"> -Start at 85 °C (2 min) permitted - Tach output - Fault output (open collector) - Load dump protection - Motor current limitation - Soft start - Control input 0-10 VDC / PWM - Thermal overload protection for electronics
Electrical hookup	Standby current less than 500 µA
Motor protection	Reverse polarity and locked-rotor protection
With cable	Variable
Protection class assignment	<p>III; Requires supply with safety extra-low voltage SELV.</p> <p>This component for installation may have several local protection classes. This information relates to this component's basic design.</p> <p>The final protection class is based on the component's intended installation and connection.</p>
Approval	EAC
Sound level	76 dB(A), sound power level according to ISO 13347

EC dual centrifugal fan

forward-curved, dual-intake
with housing, Automotive

Product drawing



- | | |
|---|---|
| 1 | Cable PVC FLRY-B 2x 2.5 mm ² , 1x 0.75 mm ² |
| | 3x wire-end ferrule |

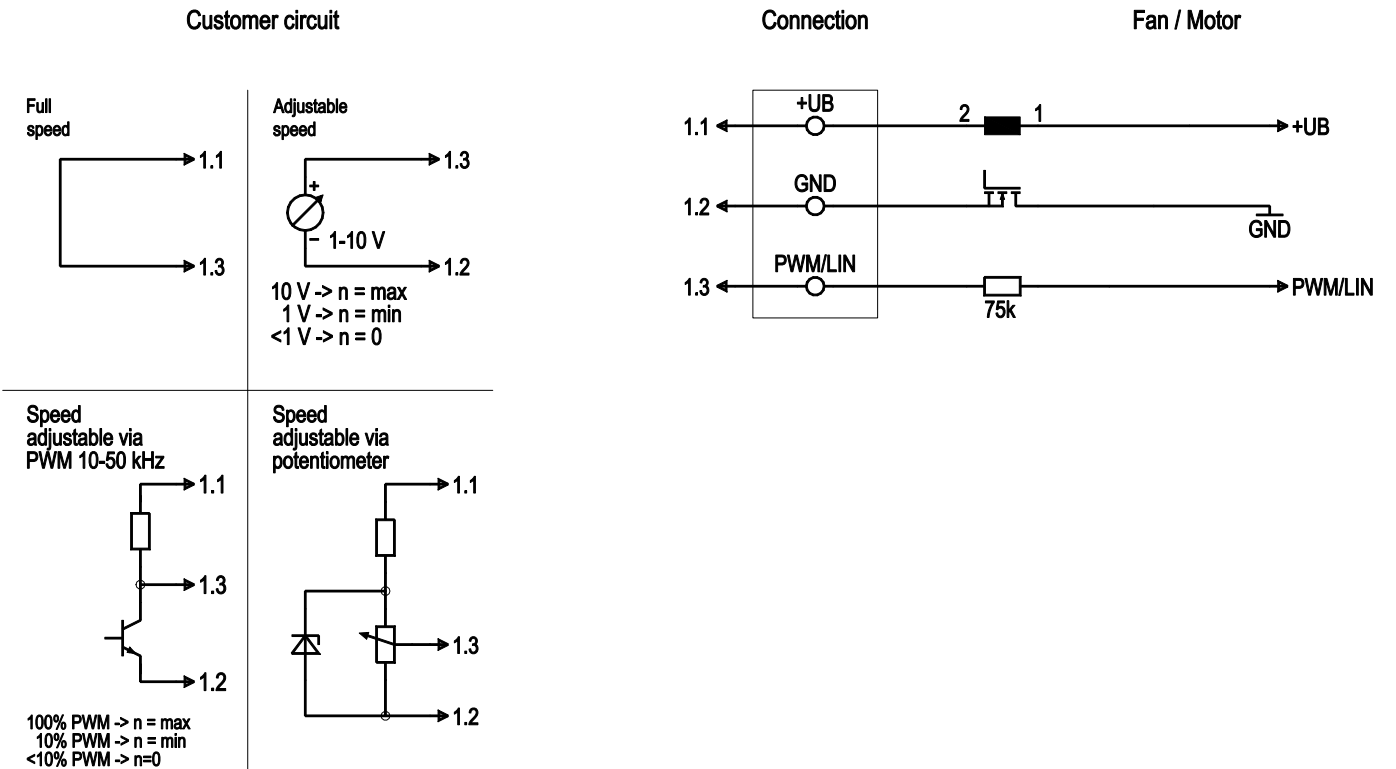


EC dual centrifugal fan

forward-curved, dual-intake

with housing, Automotive

Connection diagram



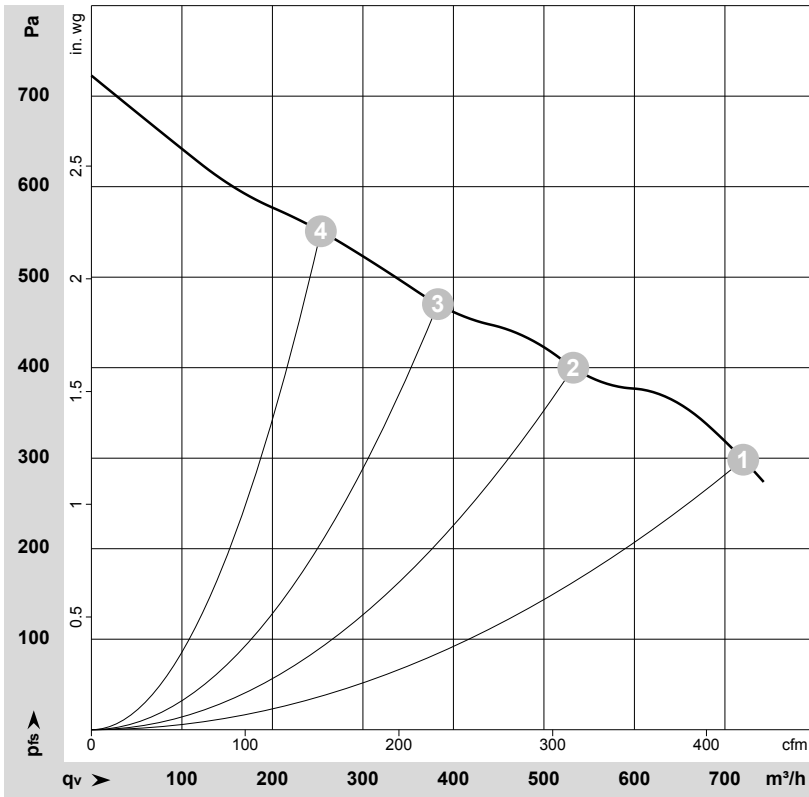
No.	Conn.	Designation	Color	Function/assignment
	1.1	+UB	black	Power supply
	1.2	GND	brown	Power supply GND, reference ground
	1.3	PWM/LIN	yellow	Analog voltage control input 0-10 V or PWM



EC dual centrifugal fan

forward-curved, dual-intake
with housing, Automotive

Curves: Air performance



$\rho = 1.15 \text{ kg/m}^3 \pm 2 \%$

Measurement: LU-115895-1

Air performance measured according to ISO 5801 installation category A. For detailed information on the measurement setup, contact ebmpapst. Intake sound level: Sound power level according to ISO 13347 / sound pressure level measured at 1 m distance from fan axis. The values given are valid under the specified measuring conditions and may vary due to conditions of installation. For deviations from the standard configuration, the parameters have to be checked on the installed unit.

Measured values

	U	n	P _{ed}	I	q _v	p _{fs}	q _v	p _{fs}
	V	min ⁻¹	W	A	m ³ /h	Pa	cfm	in. wg
1	13	3650	195	15.00	720	300	425	1.20
2	13	3915	164	12.62	530	400	315	1.61
3	13	4165	139	10.63	385	470	225	1.89
4	13	4395	115	8.82	255	550	150	2.21

U = Voltage · n = Speed (rpm) · P_{ed} = Power consumption · I = Current draw · q_v = Air flow · p_{fs} = Pressure increase

