

backward curved  
with housing

K2E225-AD92-01 ebmpapst Datasheet

Sales@fansco.com

www.fansco.com

Phone: +49(0)7938/81-0

Fax: +49(0)7938/81-110

## Nominal data

Type	K2E225-AD92-01		
Motor	M2E068-CF		
Phase		1~	1~
Nominal voltage	[V]	230	230
Frequency	[Hz]	50	60
Type of data definition		rfa	rfa
Valid for approval / standard		CE	CE
Speed	[min <sup>-1</sup> ]	2650	2950
Power input	[W]	135	200
Current draw	[A]	0.6	0.9
Motor capacitor	[μF]	4	4
Capacitor voltage	[VDB]	450	450
Capacitor standard		P0 (CE)	P0 (CE)
Min. back pressure	[Pa]	0	0
Max. ambient temperature	[°C]	55	50

ml = max. load · me = max. efficiency · rfa = running at free air · cs = customer specs · cu = customer unit  
Subject to alterations

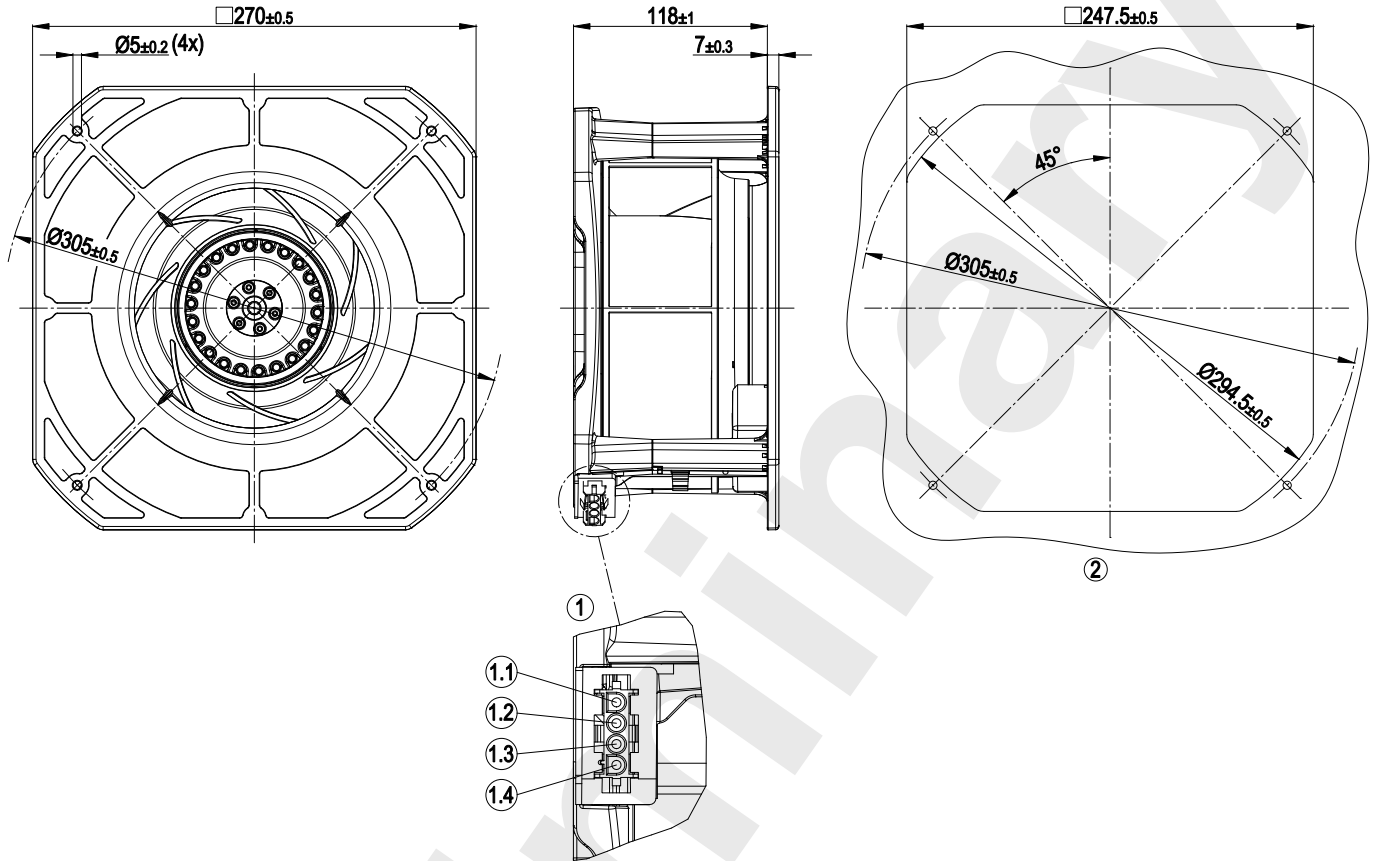
## Technical features

Leakage current	< 0.75 mA
Size	225 mm
Operation mode	S1
Direction of rotation	Clockwise, seen on rotor
Mounting position	Shaft horizontal or rotor on bottom; rotor on top on request
Electrical leads	With plug
Humidity class	F1-2
Insulation class	"F"
Cable exit	Variable
Condensate discharge holes	Rotor-side
Motor bearing	Ball bearing
Mass	3.2 kg
Housing material	Plastic PA6, fibreglass-reinforced
Material of impeller	Plastic PA6, fibreglass-reinforced
Motor protection	Thermal overload protector (TOP) wired internally
Product conforming to standard	CE; EN 60335-1
Surface of rotor	Coated in black
Number of blades	7
Type of protection	IP 44; Depending on installation and position as per EN 60034-5
Protection class	I
Max. permissible ambient motor temp. (transp./ storage)	+ 80 °C
Min. permissible ambient motor temp. (transp./storage)	- 40 °C

# AC centrifugal module

backward curved  
with housing

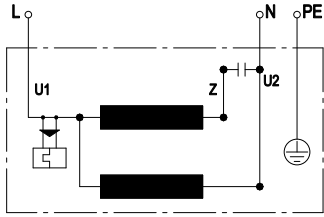
## Product drawing



Drawing preliminary!

1	Coded plug system AMP Universal-Mate-N-Lok
	Connector housing: AMP 350 780-1
	4 x plug pin: AMP 926 885-1
	Mating connector (not included in standard scope of delivery):
	Connector housing: AMP 350 779-1
	4 x female connector: AMP 926 884-1
1.1	PE
1.2	N
1.3	L + capacitor
1.4	Capacitor
	(Capacitor switched internally)
2	Mounting dimensions

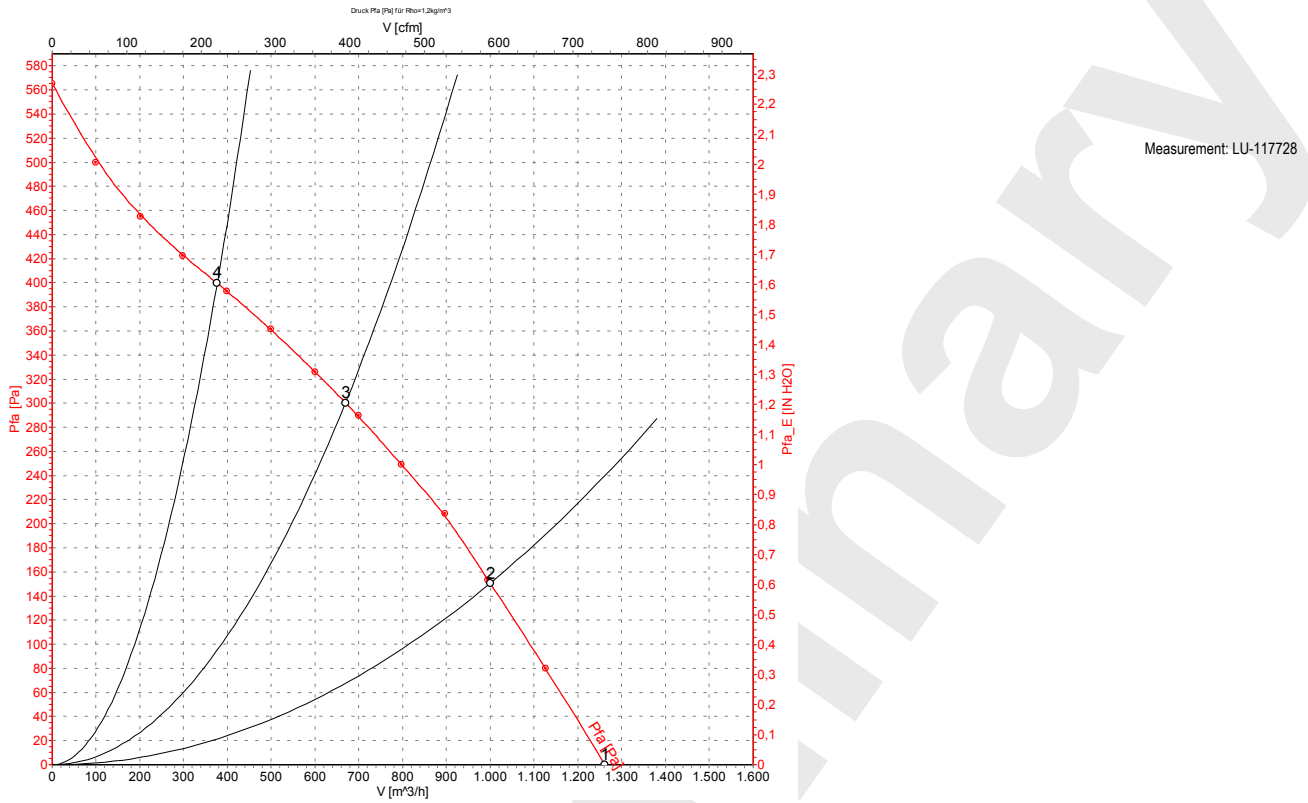
## Connection screen



U1	blue	Z	brown	U2	black
PE	green/yellow				

preliminary

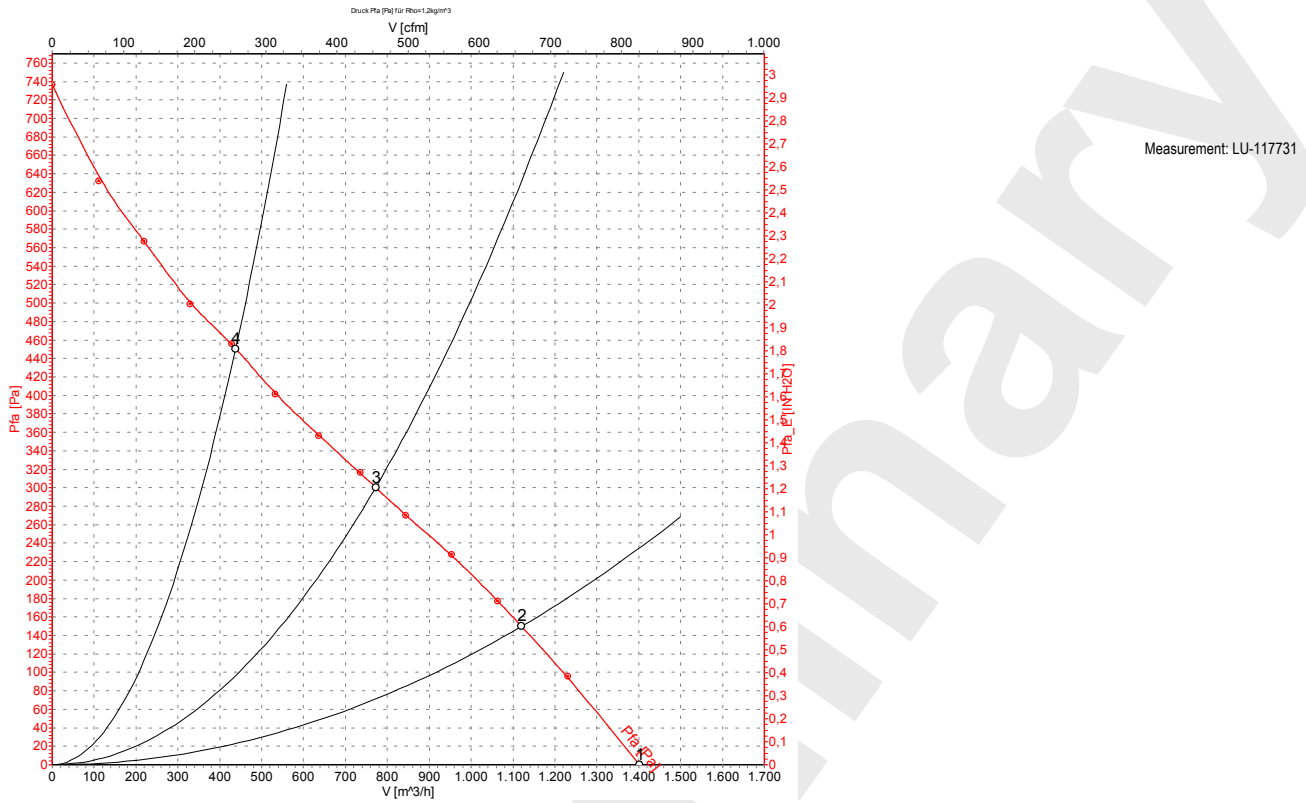
## Charts: Air flow 50 Hz



### Measured values

	U	f	n	P <sub>1</sub>	I	LpA <sub>ss</sub>	LwA <sub>ss</sub>	Ṃ	p <sub>fa</sub>
	[V]	[Hz]	[min <sup>-1</sup> ]	[W]	[A]	[dB(A)]	[dB(A)]	[m³/h]	[Pa]
1	230	50	2650	135	0.60	67	75	1260	0
2	230	50	2600	147	0.64	67	74	1000	150
3	230	50	2545	156	0.68	62	70	670	300
4	230	50	2615	145	0.63	65	73	375	400

## Charts: Air flow 60 Hz



### Measured values

	U	f	n	P <sub>1</sub>	I	LpA <sub>ss</sub>	LwA <sub>ss</sub>	$\hat{V}$	p <sub>fa</sub>
	[V]	[Hz]	[min <sup>-1</sup> ]	[W]	[A]	[dB(A)]	[dB(A)]	[m³/h]	[Pa]
1	230	60	2950	200	0.90	70	77	1400	0
2	230	60	2820	210	0.92	67	74	1120	150
3	230	60	2665	220	0.96	64	71	770	300
4	230	60	2775	212	0.92	67	75	440	450