

K1G220-AF92-11

EC centrifugal module

backward curved
with support structure

K1G220-AF92-11 ebmpapst Datasheet
sales@fansco.com
www.fansco.com

Limited partnership · Headquarters Muldingen
County court Stuttgart · HRA 590344

General partner Elektrobau Muldingen GmbH · Headquarters Muldingen
County court Stuttgart · HRB 590142

Nominal data

Type	K1G220-AF92-11		
Motor	M1G055-BD		
Phase		1~	1~
Nominal voltage	VAC	230	230
Frequency	Hz	50/60	50/60
Type of data definition			ml
Speed (rpm)	min ⁻¹	1200	1600
Power input	W		33
Current draw	A		0.25
Min. ambient temperature	°C	-30	-30
Max. ambient temperature	°C	50	50

ml = Max. load · me = Max. efficiency · fa = Running at free air · cs = Customer specs · cu = Customer unit
Subject to alterations



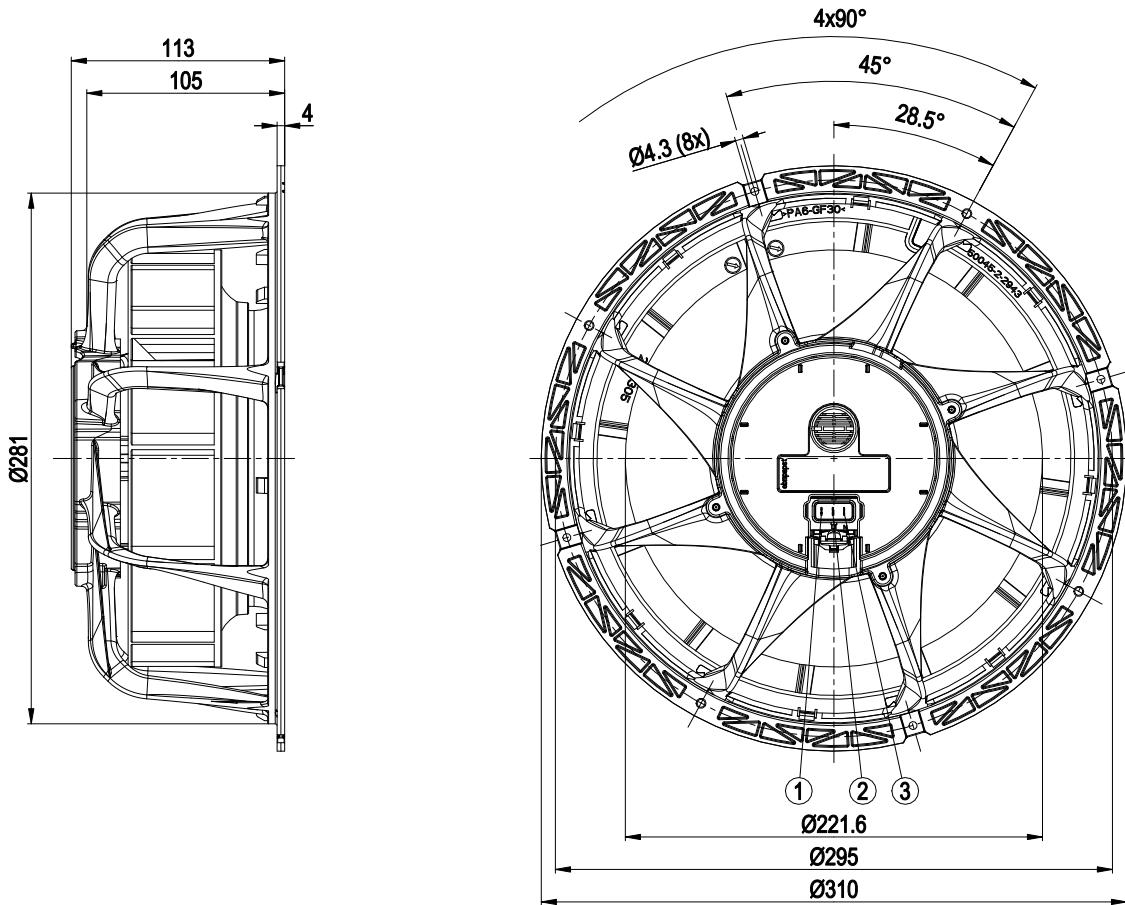
Technical features

Mass	1.5 kg
Size	220 mm
Surface of rotor	Galvanised
Material of blades	PA plastic
Material of support bracket	PA plastic
Material of inlet nozzle	PA plastic
Number of blades	11
Direction of rotation	Clockwise, seen on rotor
Type of protection	IP 54; Only with suitable connector, which has to be fitted by the customer
Insulation class	"B"
Humidity (F)/environmental protection class (H)	H1
Max. permissible ambient motor temp. (transp./ storage)	+80 °C
Min. permissible ambient motor temp. (transp./storage)	-40 °C
Mounting position	Any
Condensate discharge holes	Rotor-side
Operation mode	S1
Motor bearing	Ball bearing
Technical features	- Speed adjustment input (230 V) - Soft start - Over-temperature protected motor
Speed steps	2
EMC interference immunity	Acc. to EN 61000-6-2 (industrial environment)
EMC harmonics	Acc. to EN 61000-3-2/3
EMC interference emission	Acc. to EN 61000-6-3 (household environment)
Motor protection	Thermal overload protector (TOP) wired internally
Protection class	II
Product conforming to standard	EN 60335-1; EN 60335-2-24; EN 60335-2-80; EN 60335-2-89; CE
Approval	CSA C22.2 No.77; VDE; UL 1004-3

EC centrifugal module

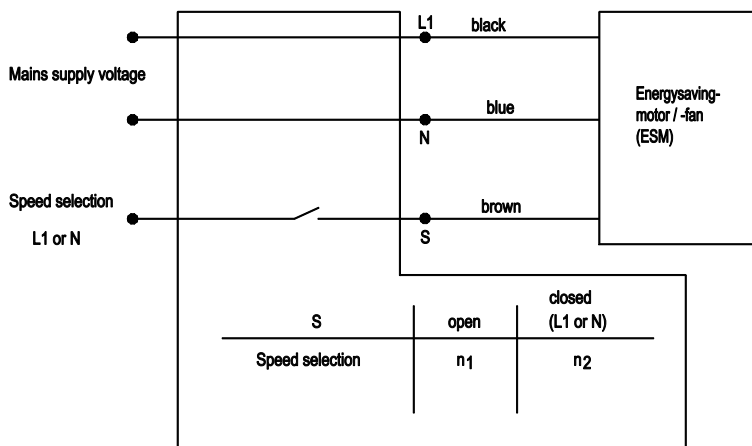
backward curved
with support structure

Product drawing

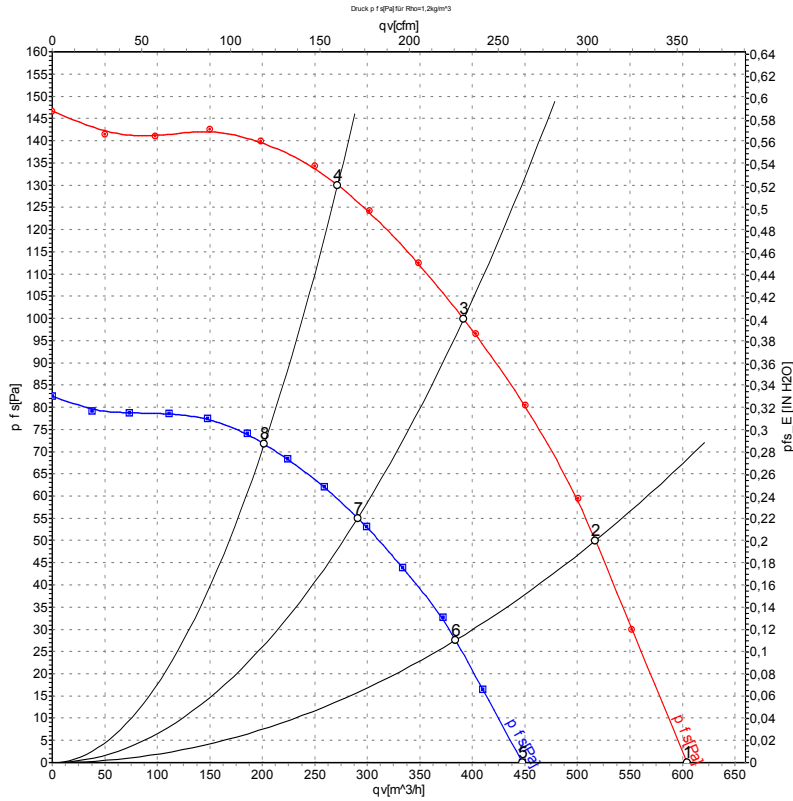


1	PIN S, speed selection (flat connector 2.8x0.5)
2	PIN L1, phase (flat connector 2.8x0.5)
3	PIN N, neutral conductor (flat connector 2.8x0.5)

Connection screen



Charts: Air flow 50 Hz



Measurement: LU-116642-1

Air performance measured as per ISO 5801 Installation category A. For detailed information on the measuring set-up, please contact ebm-papst. Suction-side noise levels: LwA measured as per ISO 13347 / LpA measured with 1m distance to fan axis. The values given are valid under the measuring conditions mentioned above and may vary according to the actual installation situation. With any deviation from the standard set-up, the specific values have to be checked and reviewed with the unit installed.

Measured values

	U	f	n	P _{ed}	I	LpA _{in}	LwA _{in}	q _v	P _{fs}	q _v	P _{fs}
	V	Hz	min ⁻¹	W	A	dB(A)	dB(A)	m ³ /h	Pa	cfm	inH ₂ O
1	230	50	1600	18	0.14	51	59	605	0	355	0.00
2	230	50	1600	25	0.20	50	57	515	50	305	0.20
3	230	50	1600	33	0.25	48	55	390	100	230	0.40
4	230	50	1600	30	0.25	49	56	270	130	160	0.52
5	230	50	1200	7.4	0.06	45	52	450	0	265	0.00
6	230	50	1200	10	0.08	43	50	385	28	225	0.11
7	230	50	1200	13	0.10	41	48	290	55	170	0.22
8	230	50	1200	13	0.10	42	50	200	72	120	0.29

U = Supply voltage · f = Frequency · n = Speed (rpm) · P_{ed} = Power input · I = Current draw · LpA_{in} = Sound pressure level inlet side · LwA_{in} = Sound power level inlet side · q_v = Air flow
P_{fs} = Pressure increase

