

K1G220-AF89-06

EC centrifugal module

backward curved
with support bracket

K1G220-AF89-06 ebmpapst Datasheet
sales@fansco.com
www.fansco.com

Nominal data

Type	K1G220-AF89-06	
Motor	M1G055-BD	
Phase		1~
Nominal voltage	[VAC]	230
Frequency	[Hz]	50/60
Type of data definition		ml
State		prelim.
Speed	[min ⁻¹]	1000
Power input	[W]	10
Current draw	[A]	0,08
Max. ambient temperature	[°C]	50

ml = max. load · me = max. efficiency · rfa = running at free air · cs = customer specs · cu = customer unit
Subject to alterations

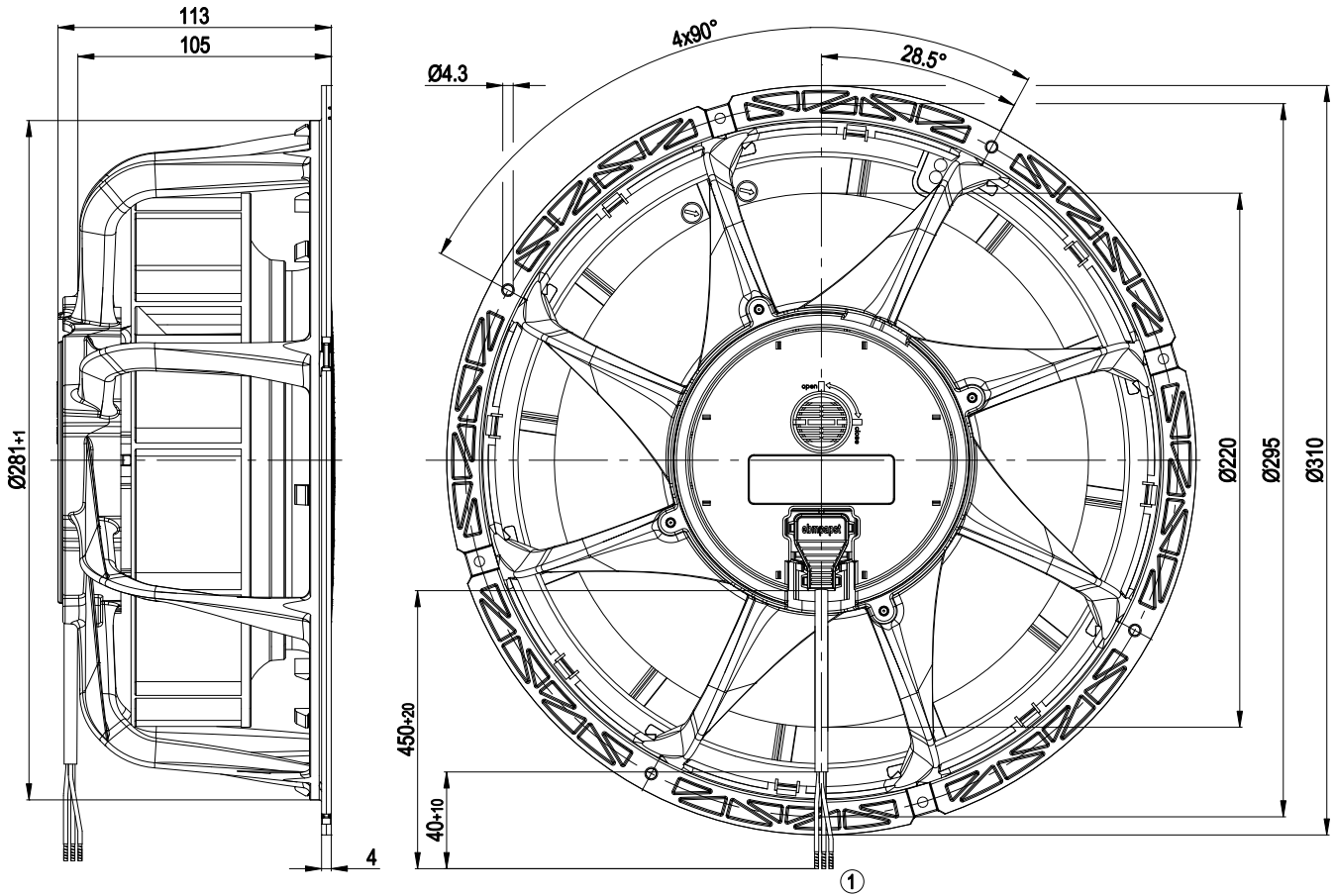
Technical features

Size	220 mm
Operation mode	S1
Direction of rotation	Clockwise, seen on rotor
Mounting position	Shaft horizontal or rotor on bottom; rotor on top on request
EMC harmonics	Acc. to EN 61000-3-2/3
EMC interference emission	Acc. to EN 61000-6-3 (household environment)
EMC interference immunity	Acc. to EN 61000-6-2
Humidity class	F3-1
Insulation class	"B"
Condensate discharge holes	None
Bearing motor	Ball bearing
Mass	1.5 kg
Material of inlet nozzle	Plastic PA6, fibreglass-reinforced
Material of impeller	Plastic PA6, fibreglass-reinforced
Material of support bracket	Plastic PA6, fibreglass-reinforced
Motor protection	Thermal overload protector (TOP) wired internally
Product conforming to standard	CE
Surface of rotor	Coated in black
Number of blades	11
Type of protection	IP 54
Protection class	I
Technical features	- Control input 0-10 VDC / PWM - Over-temperature protected motor - Soft start
Max. permissible ambient motor temp. (transp./ storage)	+ 80 °C
Min. permissible ambient motor temp. (transp./storage)	- 40 °C

EC centrifugal module

backward curved
with support bracket

Product drawing



1 Connection line, 3x brass lead tips crimped

EC centrifugal module

backward curved
with support bracket

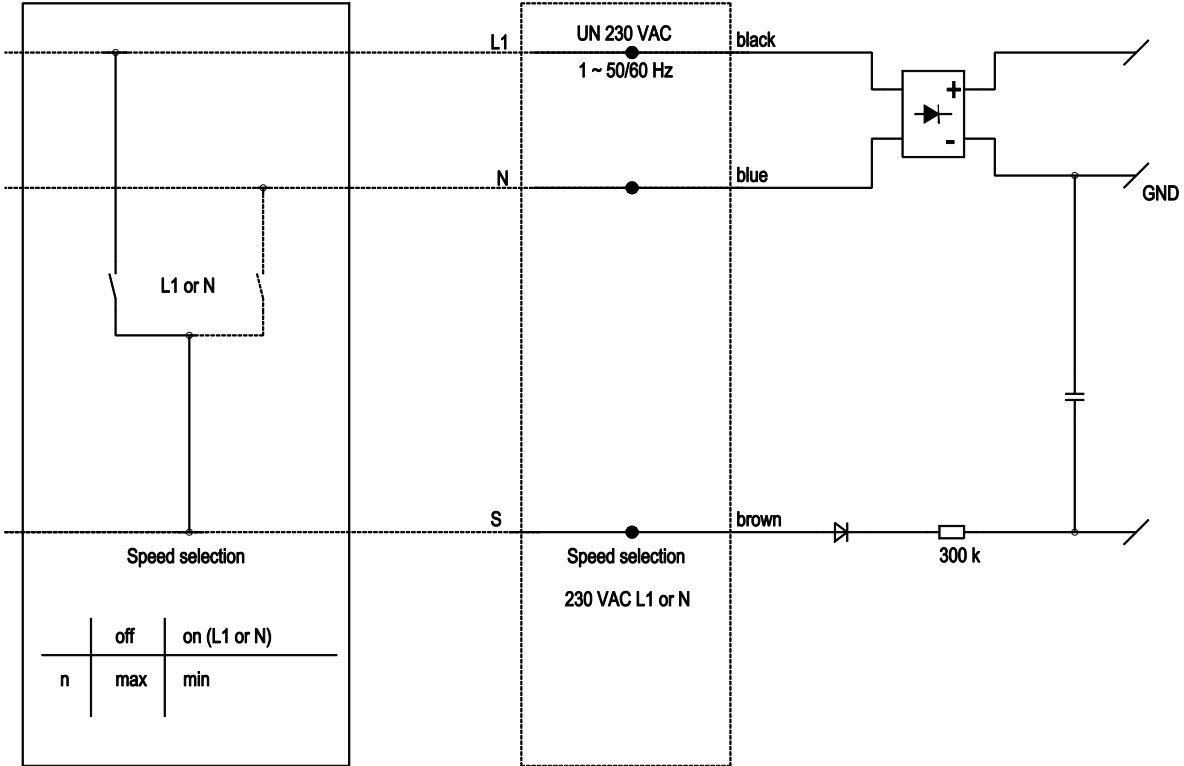
Connection screen

Customer circuit

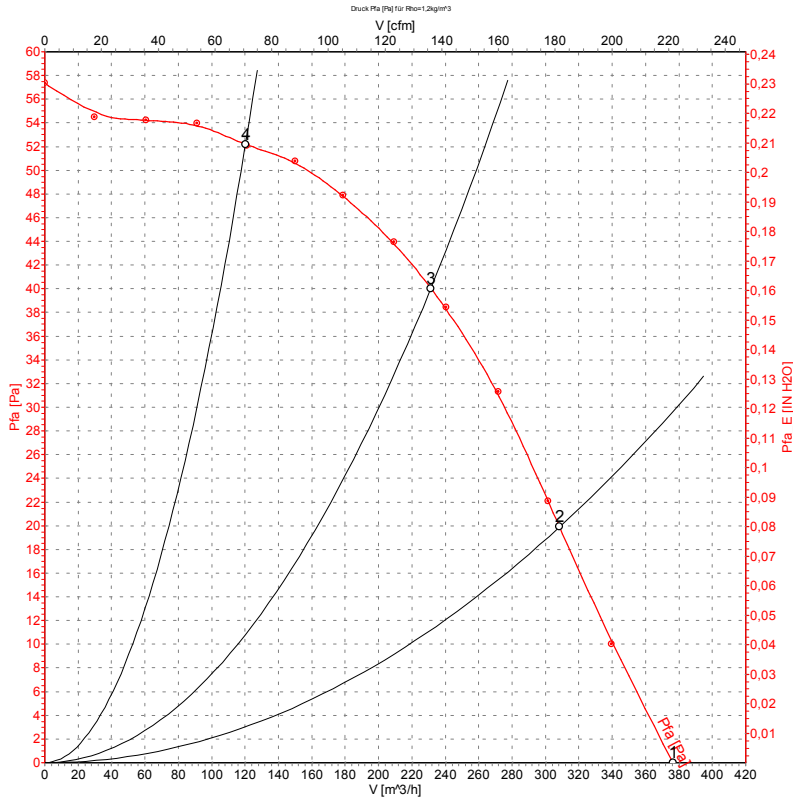
Connection

Fan / motor

Notes on 2 different speed settings and their applications



Charts: Air flow 50 Hz



Measurement: LU-117971

Measured values

	U	f	n	P ₁	I	\hat{V}	P _{fa}
	[V]	[Hz]	[min ⁻¹]	[W]	[A]	[m³/h]	[Pa]
1	230	50	1000	6	0.05	375	0
2	230	50	1000	8	0.07	310	20
3	230	50	1000	10	0.08	230	40
4	230	50	1000	9	0.07	120	52