

K1G200-AA89-16

EC diagonal module - AxiCool

sickled blades (S series), single inlet
with support bracket

K1G200-AA89-16 ebmpapst Datasheet
sales@fansco.com
www.fansco.com

Limited partnership · Headquarters Muldingen
County court Stuttgart · HRA 590344

General partner Elektrobau Muldingen GmbH · Headquarters Muldingen
County court Stuttgart · HRB 590142

Nominal data

Type	K1G200-AA89-16		
Motor	M1G055-BD		
Phase		1~	1~
Nominal voltage	VAC	230	230
Frequency	Hz	50/60	50/60
Type of data definition		ml	ml
Speed (rpm)	min ⁻¹	1400	1200
Power input	W	10	7
Current draw	A	0.09	0.07
Max. back pressure	Pa	55	
Min. ambient temperature	°C	-30	-30
Max. ambient temperature	°C	35	35

ml = Max. load · me = Max. efficiency · fa = Running at free air · cs = Customer specs · cu = Customer unit
Subject to alterations



EC diagonal module - AxiCool

sickled blades (S series), single inlet
with support bracket

Technical features

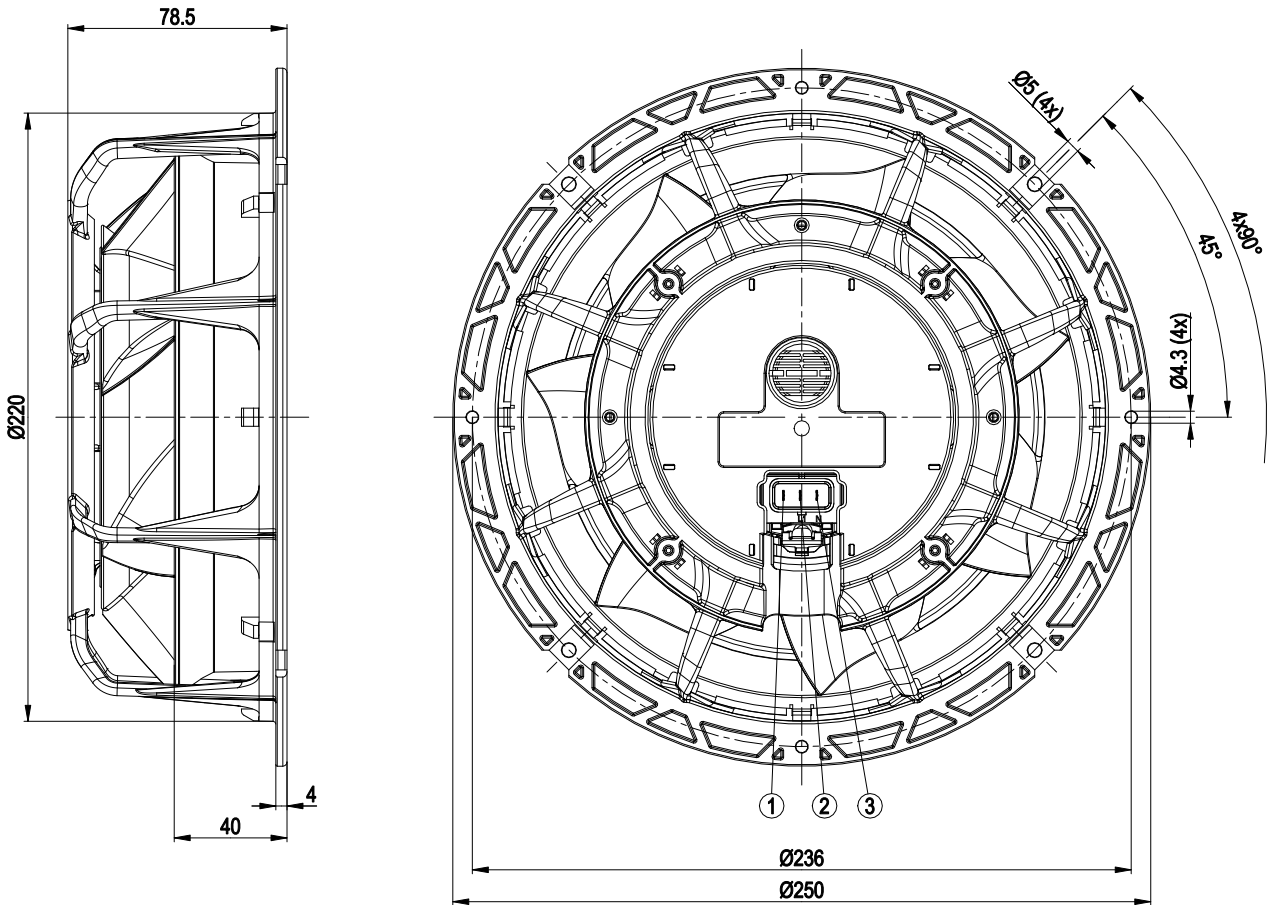
Mass	1.2 kg
Size	200 mm
Material of blades	PA plastic
Material of support bracket	PA plastic
Number of blades	7
Direction of rotation	Clockwise, seen on rotor
Type of protection	IP 54; Only with suitable connector, which has to be fitted by the customer
Insulation class	"B"
Humidity (F)/environmental protection class (H)	H1
Max. permissible ambient motor temp. (transp./ storage)	+ 80 °C
Min. permissible ambient motor temp. (transp./storage)	- 40 °C
Mounting position	Any
Condensate discharge holes	None, open rotor
Operation mode	S1
Motor bearing	Ball bearing
Technical features	<ul style="list-style-type: none"> - Speed adjustment input (230 V) - ESM+ extensible with plug-in module - Soft start - Over-temperature protected motor
Speed steps	2
Motor protection	Thermal overload protector (TOP) wired internally
Protection class	II
Product conforming to standard	EN 60335-1; EN 60335-2-24; EN 60335-2-80; EN 60335-2-89; CE
Approval	CSA C22.2 No.77; VDE; UL 1004-3



EC diagonal module - AxiCool

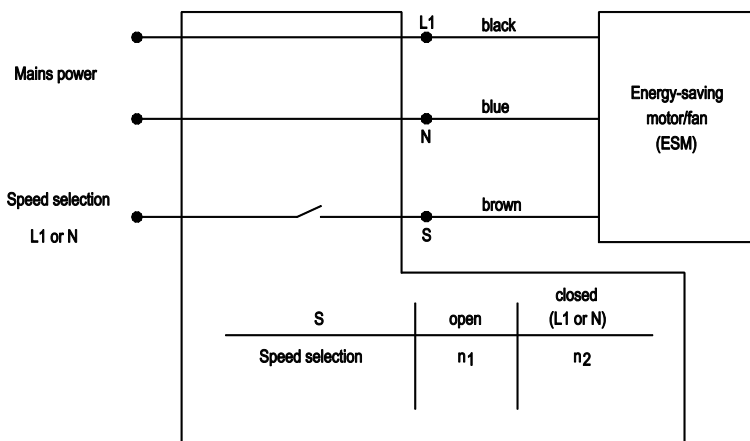
sickled blades (S series), single inlet
with support bracket

Product drawing

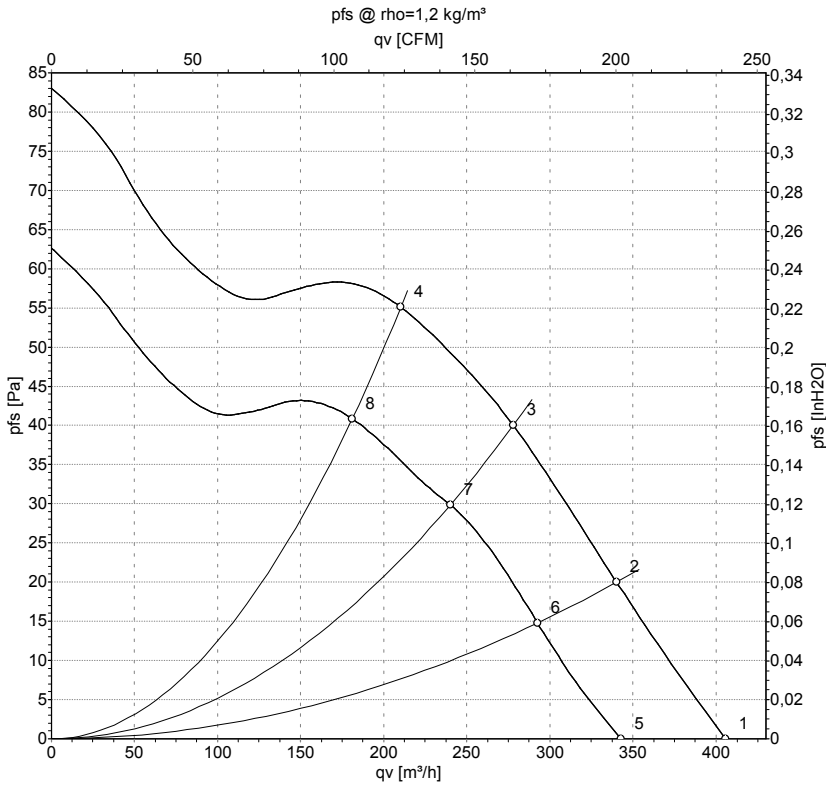


- 1 PIN S, speed selection (flat connector 2.8x0.5)
- 2 PIN L1, phase (flat connector 2.8x0.5)
- 3 PIN N, neutral conductor (flat connector 2.8x0.5)

Connection screen



Charts: Air flow 50 Hz



Measurement: LU-152446-1
Measurement: LU-152451-1

Air performance measured as per ISO 5801 Installation category A. For detailed information on the measuring set-up, please contact ebm-papst. Suction-side noise levels: LwA measured as per ISO 13347 / LpA measured with 1m distance to fan axis. The values given are valid under the measuring conditions mentioned above and may vary according to the actual installation situation. With any deviation from the standard set-up, the specific values have to be checked and reviewed with the unit installed.

Measured values

	U	f	n	P _{ed}	I	q _v	p _{fs}	q _v	p _{fs}
	V	Hz	min ⁻¹	W	A	m ³ /h	Pa	cfm	inH2O
1	230	50	1400	9.0	0.08	405	0	240	0.00
2	230	50	1400	10.0	0.09	340	20	200	0.08
3	230	50	1400	10.0	0.09	280	40	165	0.16
4	230	50	1400	10.0	0.09	210	55	125	0.22
5	230	50	1200	6.0	0.06	345	0	200	0.00
6	230	50	1200	7.0	0.06	295	15	170	0.06
7	230	50	1200	7.0	0.06	240	30	140	0.12
8	230	50	1200	7.0	0.06	180	41	105	0.16

U = Supply voltage · f = Frequency · n = Speed (rpm) · P_{ed} = Power input · I = Current draw · q_v = Air flow · p_{fs} = Pressure increase

