

K1G200-AA73-12

EC diagonal module

with support bracket



K1G200-AA73-12 ebmpapst Datasheet
sales@fansco.com
www.fansco.com

Limited partnership · Headquarters Muldingen
Amtsgericht (court of registration) Stuttgart · HRA 590344

General partner Elektrobau Muldingen GmbH · Headquarters Muldingen
Amtsgericht (court of registration) Stuttgart · HRB 590142

Nominal data

Type	K1G200-AA73-12		
Motor	M1G055-BD		
Phase		1~	1~
Nominal voltage	VAC	230	230
Frequency	Hz	50/60	50/60
Method of obtaining data		ml	ml
Speed	min ⁻¹	2000	1500
Power consumption	W	35	-
Current draw	A	0.3	
Max. back pressure	Pa	120	
Min. ambient temperature	°C	-30	-30
Max. ambient temperature	°C	50	50

ml = Max. load · me = Max. efficiency · fa = Free air · cs = Customer specification · ce = Customer equipment
Subject to change

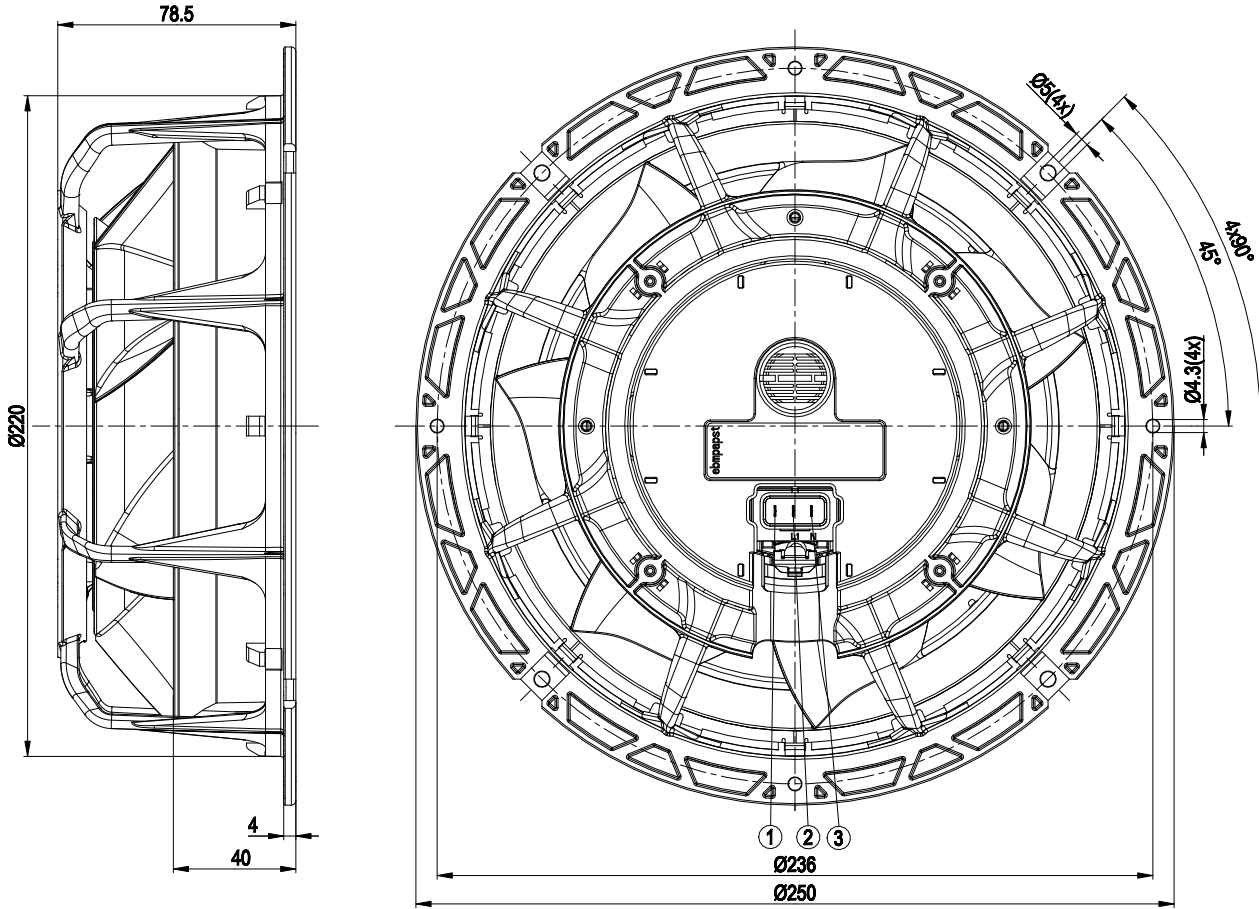


Technical description

Weight	1.1 kg
Fan size	200 mm
Impeller material	PA plastic
Support bracket material	PA plastic
Number of blades	7
Direction of rotation	Clockwise, viewed toward rotor
Degree of protection	IP54; only with suitable plug, to be installed by customer
Insulation class	"B"
Moisture (F) / Environmental (H) protection class	F3-1
Max. permitted ambient temp. for motor (transport/storage)	+ 80 °C
Min. permitted ambient temp. for motor (transport/storage)	- 40 °C
Installation position	Any
Condensation drainage holes	None, open rotor
Mode	S1
Motor storage	Ball bearing
Technical features	<ul style="list-style-type: none"> - Speed selection max./min. - Soft start - Thermal overload protection for motor
Speed levels	2
EMC immunity to interference	According to EN 61000-6-2 (industrial environment)
EMC circuit feedback	According to EN 61000-3-2/3
EMC interference emission	According to EN 61000-6-3 (household environment)
Motor protection	Thermal overload protector (TOP) internally connected
Protection class	II
Conformity with standards	EN 60335-1; EN 60335-2-24; EN 60335-2-80; EN 60335-2-89; CE
Approval	UL 2111; CCC; VDE; CSA C22.2 No. 77

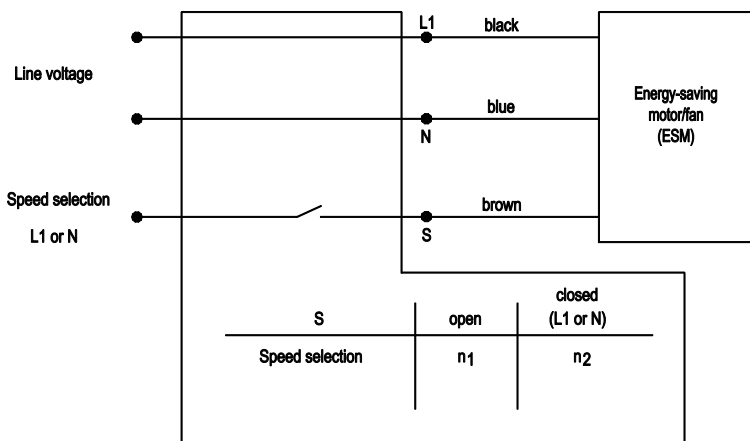


Product drawing

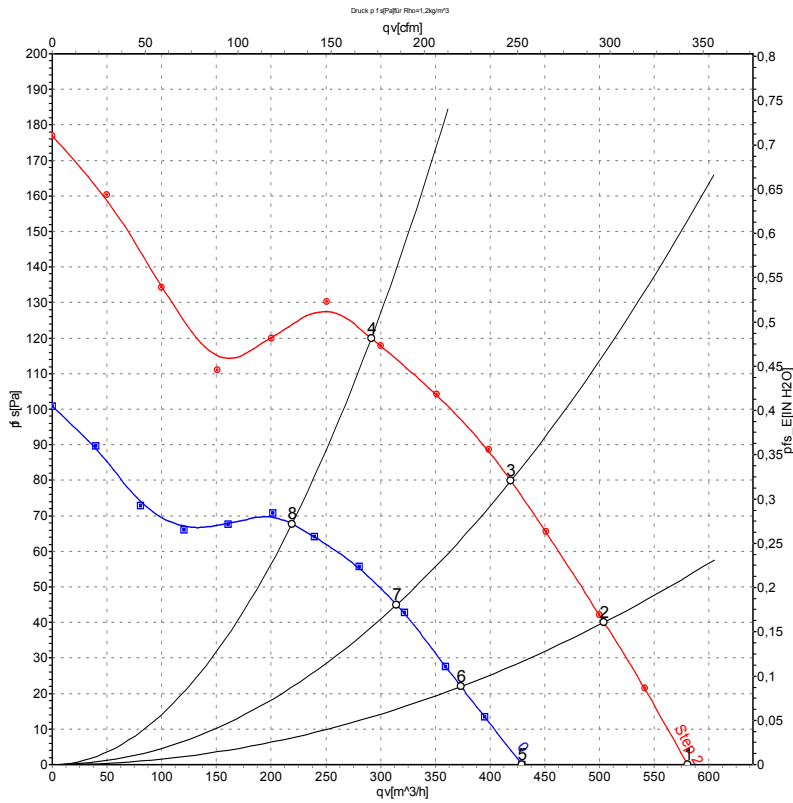


- | | |
|---|--|
| 1 | Pin S, speed selection (flat plug 2.8 x 0.5) |
| 2 | Pin L1, phase (flat plug 2.8 x 0.5) |
| 3 | Pin N, neutral conductor (flat plug 2.8 x 0.5) |

Connection diagram



Curves: Air performance 50 Hz



Measurement: LU-123220
Measurement: LU-123224

Air performance measured according to ISO 5801 installation category A. For detailed information on the measurement setup, contact ebm-papst. Intake sound level: Sound power level according to ISO 13347 / sound pressure level measured at 1 m distance from fan axis. The values given are valid under the specified measuring conditions and may vary due to conditions of installation. For deviations from the standard configuration, the parameters have to be checked on the installed unit.

Measured values

	Stage	U	f	n	P _{ed}	I	qv	p _{fs}
		V	Hz	min ⁻¹	W	A	m ³ /h	Pa
1	1	230	50	2000	31	0.24	580	0
2	1	230	50	2000	33	0.26	505	40
3	1	230	50	2000	35	0.30	420	80
4	1	230	50	2000	35	0.27	290	120
5	2	230	50	1500	16	0.13	430	0
6	2	230	50	1500	19	0.14	375	22
7	2	230	50	1500	20	0.18	315	45
8	2	230	50	1500	18	0.14	220	68

U = Power supply · f = Frequency · n = Speed · P_{ed} = Power consumption · I = Current draw · qv = Air flow · p_{fs} = Pressure increase

