

backward curved
with support bracket

K1G175-AI73-02 ebmpapst Datasheet

Barb@fansco.com

74673 Mülheim

Phone: +49 7938 81-0

Fax: +49 7938 81-110

Nominal data

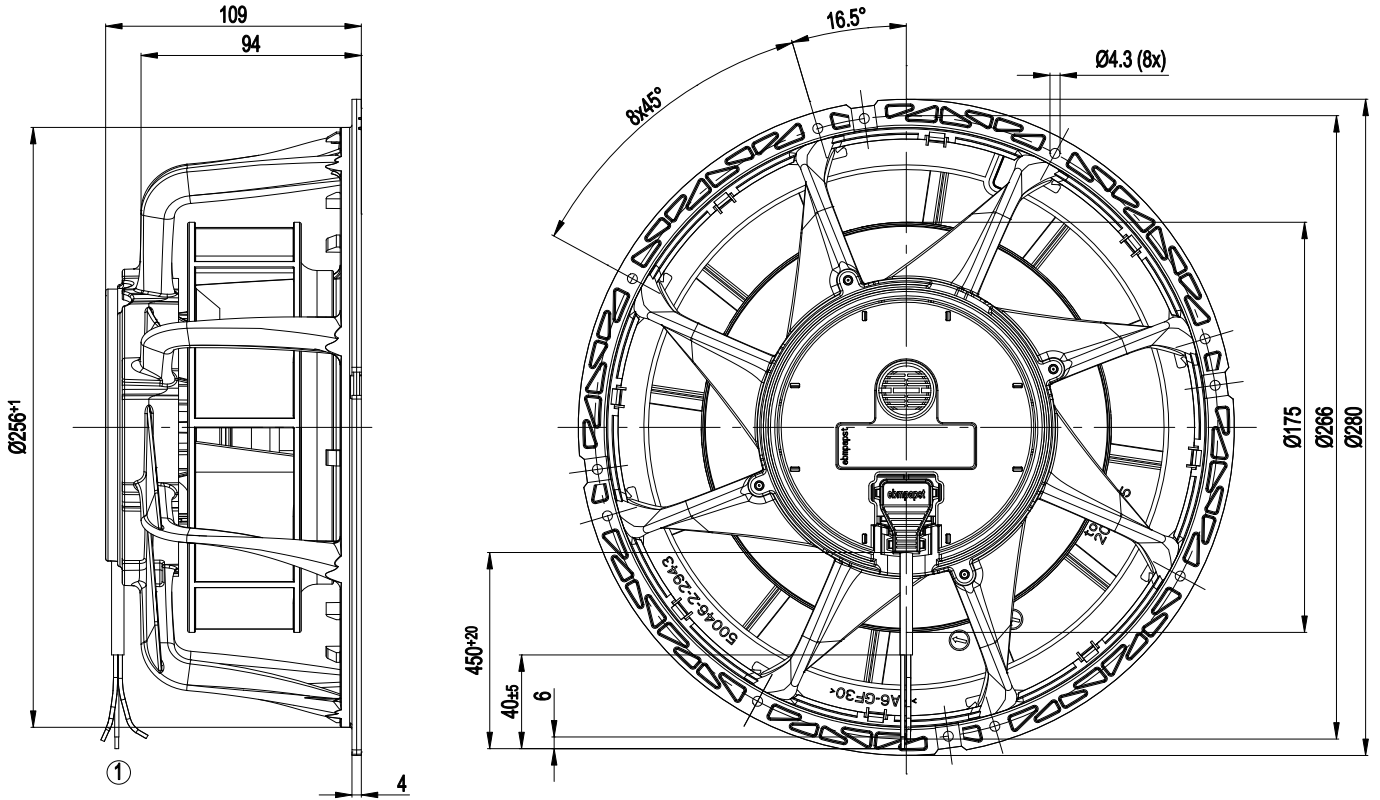
Type	K1G175-AI73-02	
Motor	M1G055-BD	
Phase		1~
Nominal voltage	[VAC]	230
Frequency	[Hz]	50/60
Type of data definition		ml
State		prelim.
Speed	[min ⁻¹]	2400
Power input	[W]	28
Current draw	[A]	0.21
Min. ambient temperature	[°C]	-30
Max. ambient temperature	[°C]	50

ml = max. load · me = max. efficiency · rfa = running at free air · cs = customer specs · cu = customer unit
Subject to alterations

Technical features

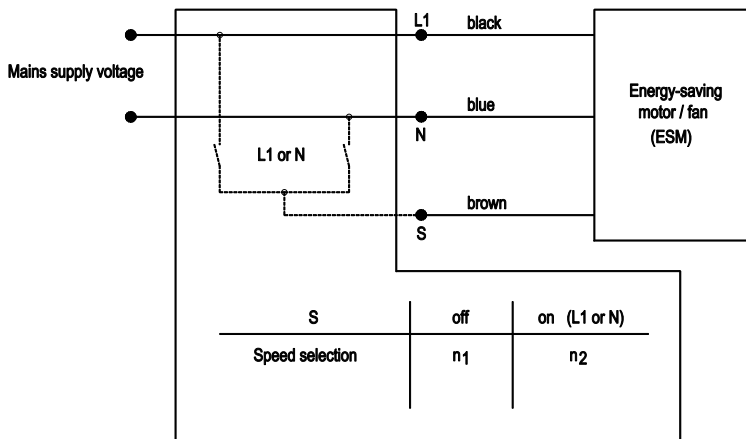
Leakage current	<= 0.25 mA
Size	175 mm
Operation mode	S1
Direction of rotation	Clockwise, seen on rotor
Speed steps	2
Mounting position	Any
EMC harmonics	Acc. to EN 61000-3-2/3
EMC interference emission	Acc. to EN 61000-6-3 (household environment)
EMC interference immunity	Acc. to EN 61000-6-2
Humidity class	F3-1
Insulation class	"B"
Condensate discharge holes	Rotor-side
Bearing motor	Ball bearing
Mass	1.2 kg
Material of inlet nozzle	Plastic PA6, fibreglass-reinforced
Material of impeller	Plastic PA6, fibreglass-reinforced
Material of support bracket	Plastic PA6, fibreglass-reinforced
Motor protection	Thermal overload protector (TOP) wired internally
Product conforming to standard	CE; EN 60335-1
Surface of rotor	Galvanised
Number of blades	7
Type of protection	IP 54
Protection class	II
Technical features	- Over-temperature protected motor - Speed selection max/min
Max. permissible ambient motor temp. (transp./ storage)	+80 °C
Min. permissible ambient motor temp. (transp./storage)	-40 °C

Product drawing

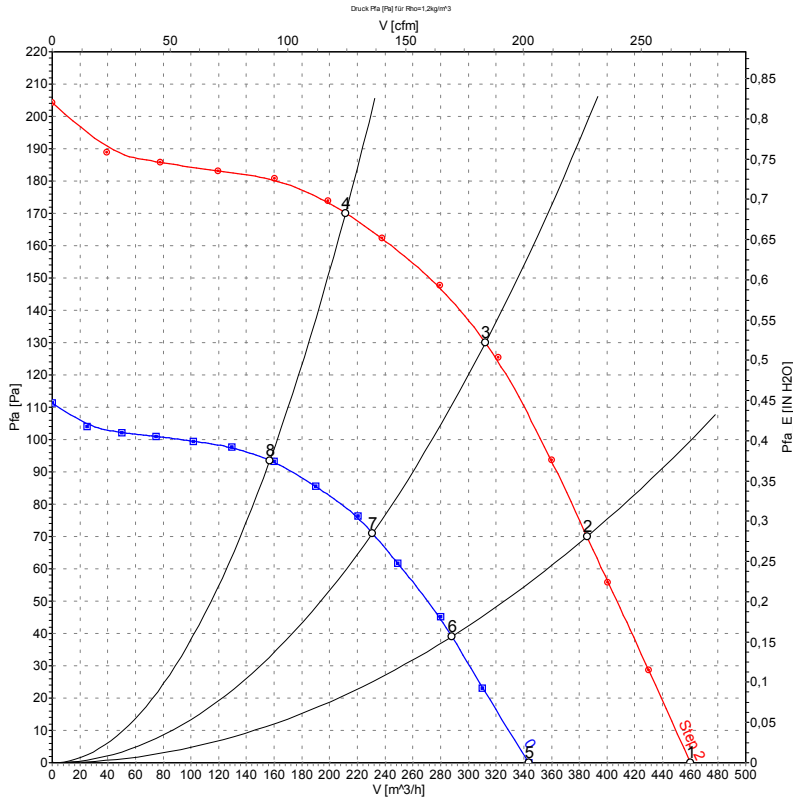


1 Connection line AWG20, 3x brass lead tips crimped

Connection screen



Charts: Air flow 50 Hz



Measurement: LU-121961
Measurement: LU-121180

Measured values

	Stage	U	f	n	P ₁	I	LpA _{ss}	LwA _{ss}	\hat{V}	p _{fa}
		[V]	[Hz]	[min ⁻¹]	[W]	[A]	[dB(A)]	[dB(A)]	[m³/h]	[Pa]
1	2	230	50	2400	17	0.13	57	65	460	0
2	2	230	50	2400	24	0.18	54	62	385	70
3	2	230	50	2400	28	0.21	52	60	310	130
4	2	230	50	2400	28	0.21	57	65	210	170
5	1	230	50	1800	9.78	0.08	51	59	345	0
6	1	230	50	1800	13	0.11	48	56	290	39
7	1	230	50	1800	16	0.13	46	53	230	71
8	1	230	50	1800	16	0.13	47	55	155	94