

backward curved  
with support bracket

K1G175-AI50-02 ebmpapst Datasheet

Barb@fansco.com

74673 Mulfingen

Phone: +49 7938 81-0

Fax: +49 7938 81-110

## Nominal data

Type	K1G175-AI50-02	
Motor	M1G055-BD	
Phase		1~
Nominal voltage	[VAC]	115
Frequency	[Hz]	50/60
Type of data definition		ml
State		prelim.
Speed	[min <sup>-1</sup> ]	2400
Power input	[W]	28
Current draw	[A]	0.41
Min. ambient temperature	[°C]	-30
Max. ambient temperature	[°C]	50

ml = max. load · me = max. efficiency · rfa = running at free air · cs = customer specs · cu = customer unit  
Subject to alterations

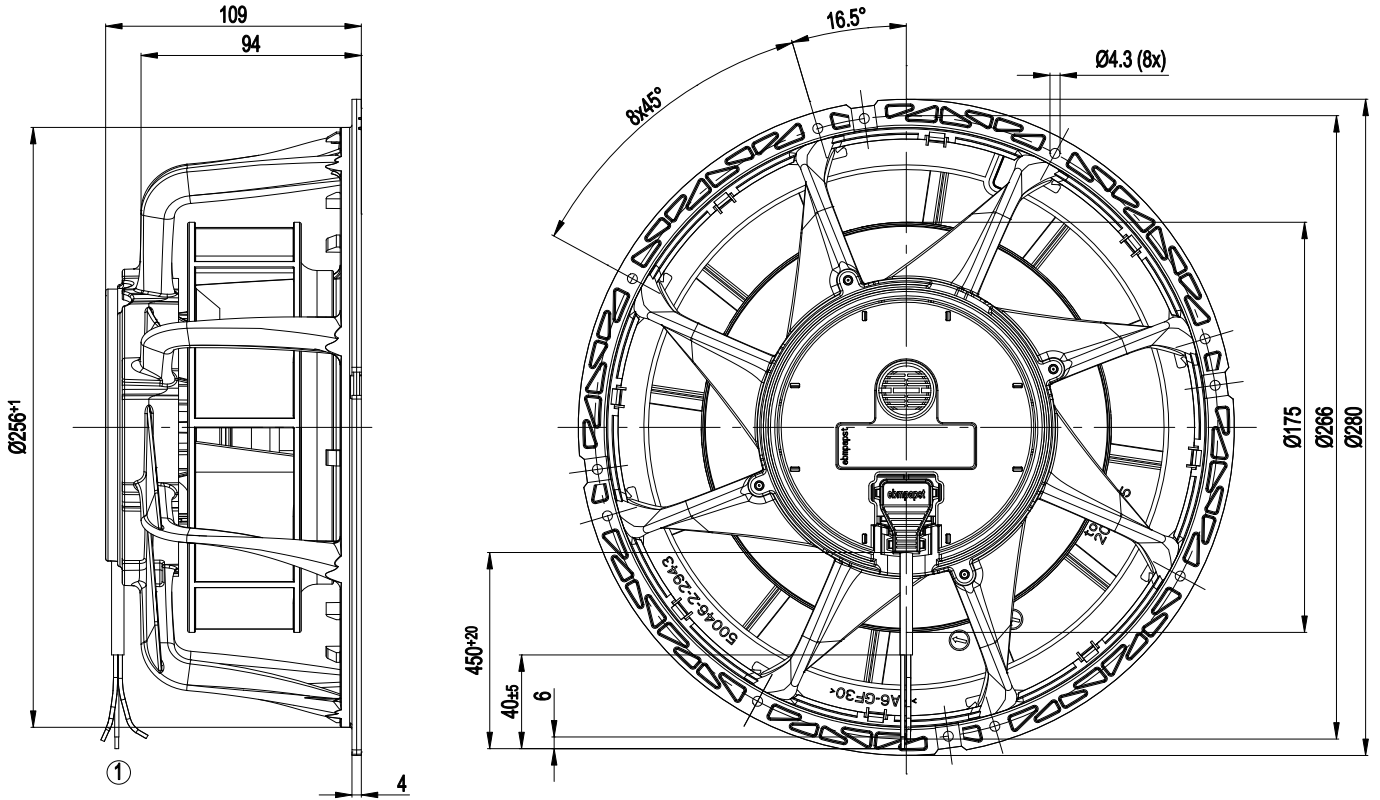
## Technical features

Leakage current	<= 0,25 mA
Size	175 mm
Operation mode	S1
Direction of rotation	Clockwise, seen on rotor
Speed steps	2
Mounting position	Any
EMC harmonics	Acc. to EN 61000-3-2/3
EMC interference emission	Acc. to EN 61000-6-3 (household environment)
EMC interference immunity	Acc. to EN 61000-6-2
Humidity class	F3-1
Insulation class	"B"
Condensate discharge holes	Rotor-side
Bearing motor	Ball bearing
Mass	1.2 kg
Material of inlet nozzle	Plastic PA6, fibreglass-reinforced
Material of impeller	Plastic PA6, fibreglass-reinforced
Material of support bracket	Plastic PA6, fibreglass-reinforced
Motor protection	Thermal overload protector (TOP) wired internally
Product conforming to standard	CE; EN 60335-1
Surface of rotor	Galvanised
Number of blades	7
Type of protection	IP 54
Protection class	II
Technical features	- Over-temperature protected motor - Speed selection max/min
Max. permissible ambient motor temp. (transp./ storage)	+80 °C
Min. permissible ambient motor temp. (transp./storage)	-40 °C

# EC centrifugal module - ESM

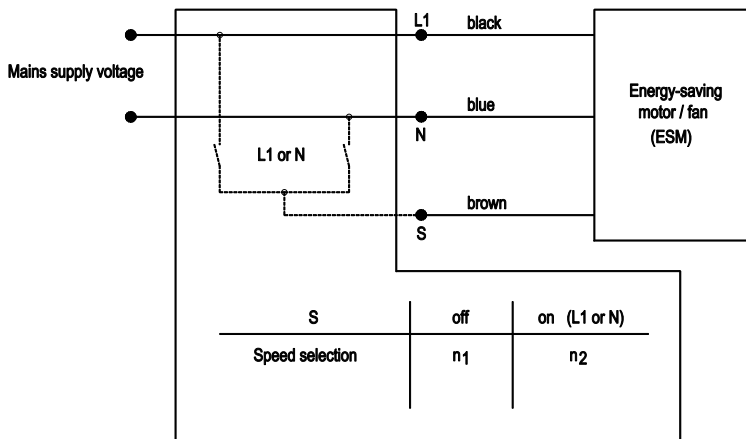
backward curved  
with support bracket

## Product drawing

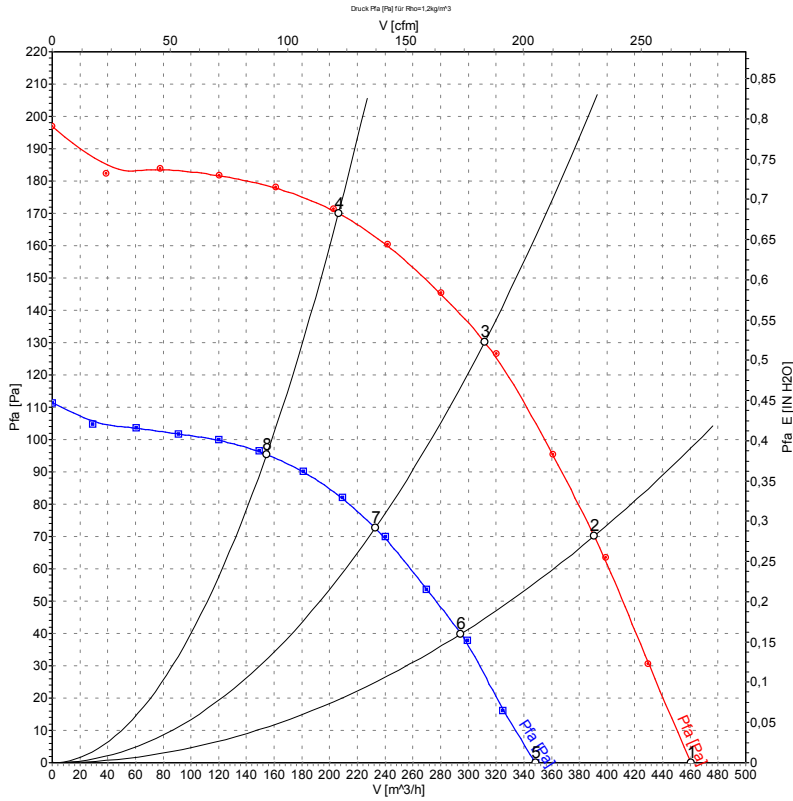


1 Connection line AWG20, 3x brass lead tips crimped

## Connection screen



## Charts: Air flow 50 Hz



## Measured values

	U	f	n	P <sub>1</sub>	I	LpA <sub>ss</sub>	LwA <sub>ss</sub>	Ŷ	p <sub>fa</sub>
	[V]	[Hz]	[min <sup>-1</sup> ]	[W]	[A]	[dB(A)]	[dB(A)]	[m³/h]	[Pa]
1	115	50	2400	18	0.26	57	65	460	0
2	115	50	2400	24	0.35	54	62	390	70
3	115	50	2400	28	0.41	52	60	310	130
4	115	50	2400	27	0.40	55	63	205	170
5	115	50	1800	9.56	0.14	51	59	350	0
6	115	50	1800	13	0.18	48	56	295	40
7	115	50	1800	15	0.21	46	53	235	73
8	115	50	1800	14	0.20	47	55	155	96