

EC centrifugal fan combination

forward curved, dual inlet

with housing

K1G133-AB49-09 ebmpapst Datasheet

sales@fansco.com

www.fansco.com

Limited partnership · Headquarters Mulfingen
County court Stuttgart · HRA 590344

General partner: Elektrobau Mulfingen GmbH · Headquarters Mulfingen
County court Stuttgart · HRB 590142

Nominal data

Type	K1G133-AB49-09	
Motor	M1G074-BF	
Nominal voltage	VDC	24
Nominal voltage range	VDC	16 .. 28
Type of data definition		ml
State		prelim.
Speed	min ⁻¹	1550
Power input	W	264
Current draw	A	13.2
Min. back pressure	Pa	0
Min. ambient temperature	°C	-25
Max. ambient temperature	°C	60

ml = max. load · me = max. efficiency · fa = running at free air · cs = customer specs · cu = customer unit
Subject to alterations



EC centrifugal fan combination

forward curved, dual inlet
with housing

Technical features

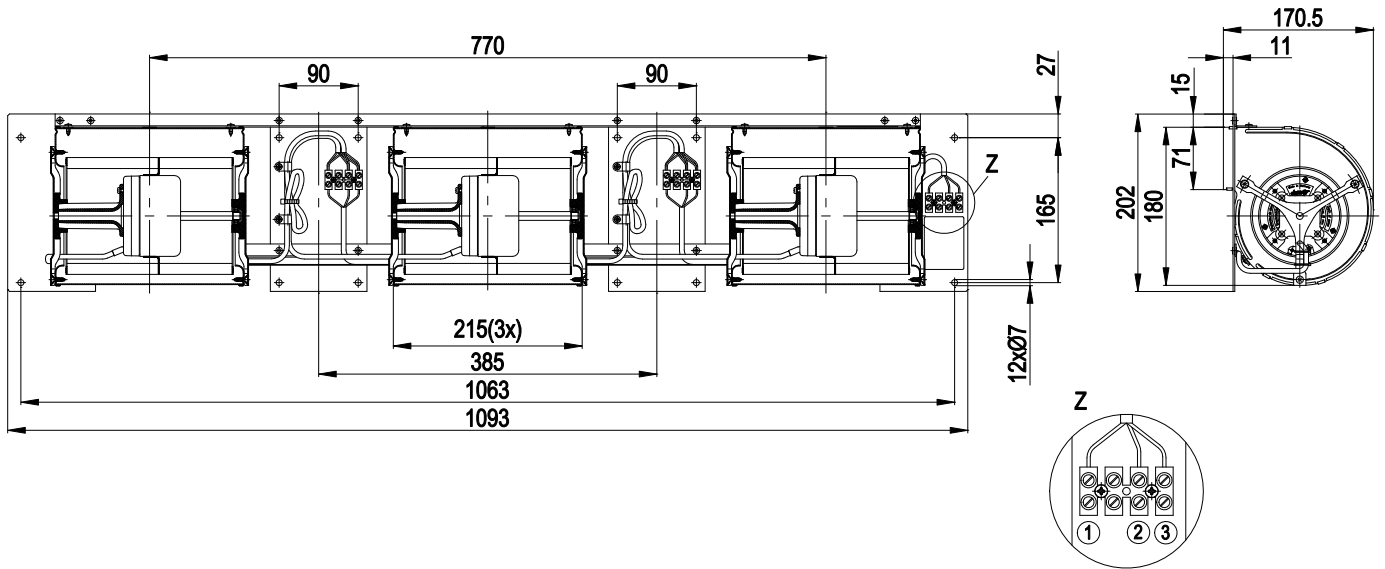
Mass	10.45 kg
Size	133 mm
Surface of rotor	Coated in black
Material of impeller	Sheet steel, hot-dip galvanised
Housing material	Sheet steel, hot-dip galvanised
Motor suspension	Motor mounted with anti-vibration on both sides
Direction of rotation	Clockwise, seen on rotor
Type of protection	IP 42
Insulation class	"B"
Humidity class	F0
Max. permissible ambient motor temp. (transp./ storage)	+80 °C
Min. permissible ambient motor temp. (transp./storage)	-40 °C
Mounting position	Any
Condensate discharge holes	None
Operation mode	S1
Motor bearing	Ball bearing
Technical features	- Control input 0.5-9.5 VDC / PWM - Soft start
Electrical leads	Via terminal strip



EC centrifugal fan combination

forward curved, dual inlet
with housing

Product drawing



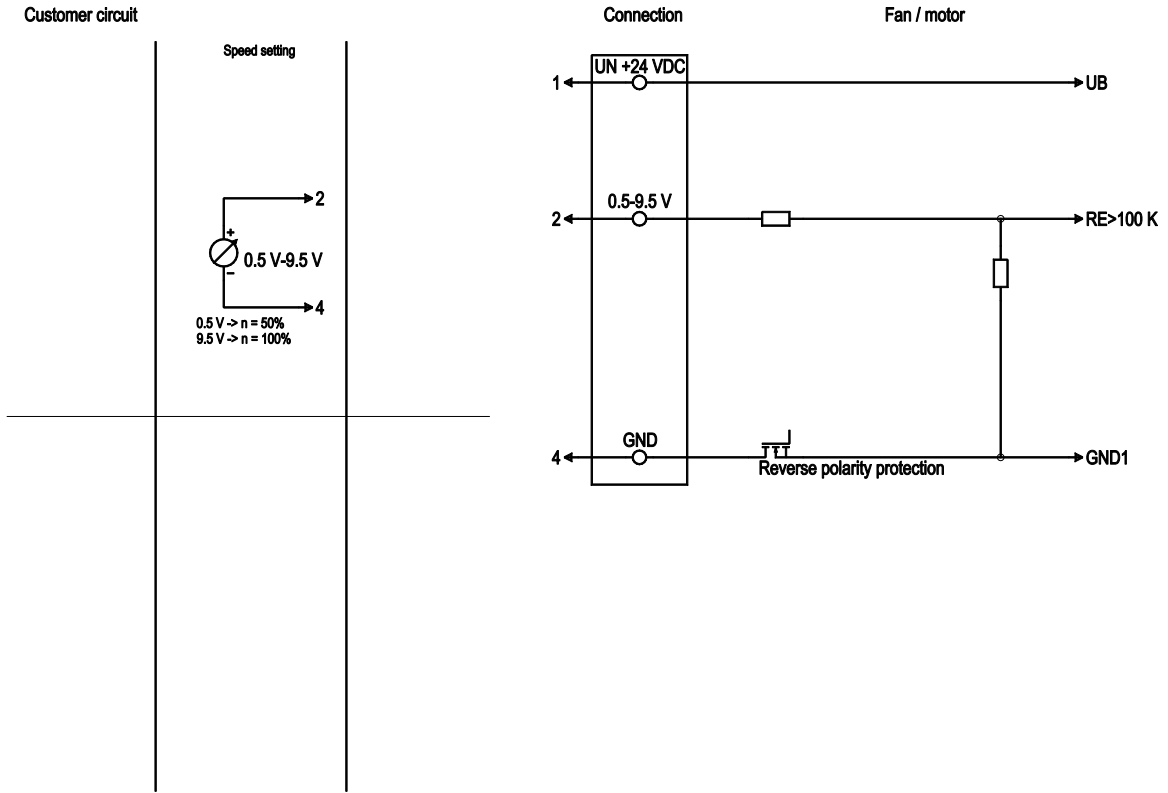
Z	Detail Z, terminal assignment
1	Linear control input, 0.5-9.5 V
2	-
3	+



EC centrifugal fan combination

forward curved, dual inlet
with housing

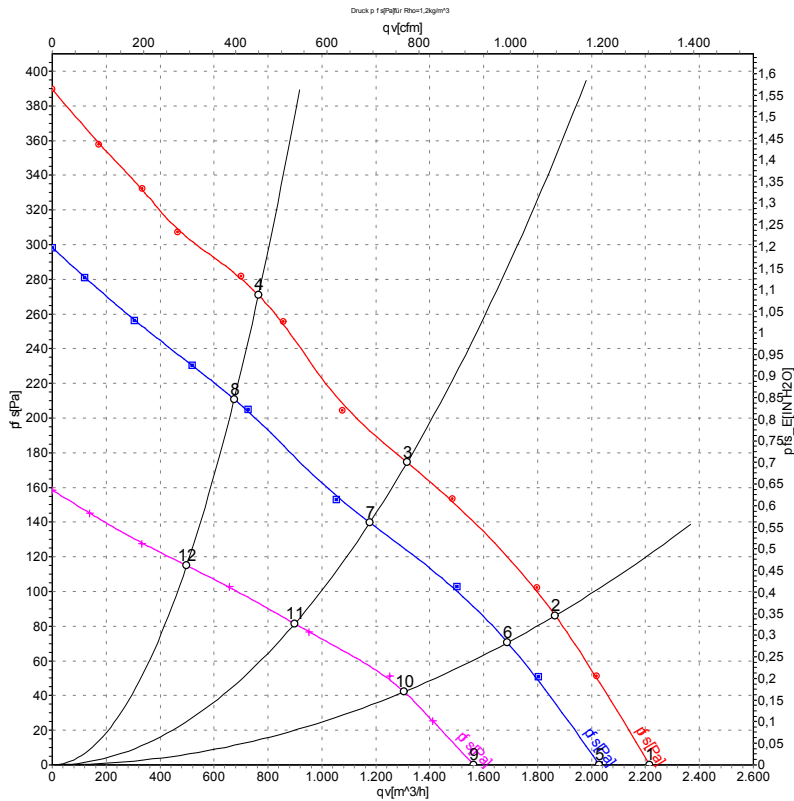
Connection screen



Line	No.	Signal	Colour	Function / assignment
1	1	Un+24 VDC	red	Power supply 24 VDC, residual ripple 3.5 %
1	2	0.5-9.5 V	yellow	Control input Re > 100 K
1	4	GND	blue	Reference mass



Charts: Air flow



Measurement: LU-29052
 Measurement: LU-29051
 Measurement: LU-29053

Air performance measured as per ISO 5801 Installation category A. For detailed information on the measuring set-up, please contact ebmpapst. Suction-side noise levels: L_{WA} measured as per ISO 13347 / L_{pA} measured with 1m distance to fan axis. The values given are valid under the measuring conditions mentioned above and may vary according to the actual installation situation. With any deviation from the standard set-up, the specific values have to be checked and reviewed with the unit installed.

Measured values

	U	n	P _{ed}	I	qv	p _{fs}
	V	min ⁻¹	W	A	m ³ /h	Pa
1	28	1690	325	14.18	2215	0
2	28	1870	291	12.42	1865	86
3	28	2135	242	10.06	1315	174
4	28	2465	184	7.46	765	271
5	24	1550	264	13.20	2030	0
6	24	1705	231	11.27	1690	70
7	24	1920	188	8.99	1180	140
8	24	2180	146	6.82	675	210
9	16	1245	118	8.42	1565	0
10	16	1345	104	7.36	1305	42
11	16	1490	83	5.82	900	81
12	16	1655	63	4.39	500	115

