

G4E180-FS11-01

AC centrifugal fan

forward curved, single inlet
with housing (flange)



G4E180-FS11-01 ebmpapst Datasheet
sales@fansco.com
www.fansco.com

Nominal data

Type	G4E180-FS11-01		
Motor	M4E074-DF		
Phase		1~	1~
Nominal voltage	VAC	230	230
Frequency	Hz	50	60
Type of data definition		fa	fa
Valid for approval / standard		CE	CE
Speed	min ⁻¹	1220	1200
Power input	W	160	197
Current draw	A	0.71	0.87
Motor capacitor	µF	4	4
Capacitor voltage	VDB	400	400
Min. back pressure	Pa	0	0
Max. ambient temperature	°C	60	40

ml = max. load · me = max. efficiency · fa = running at free air · cs = customer specs · cu = customer unit
Subject to alterations



AC centrifugal fan

forward curved, single inlet
with housing (flange)

Technical features

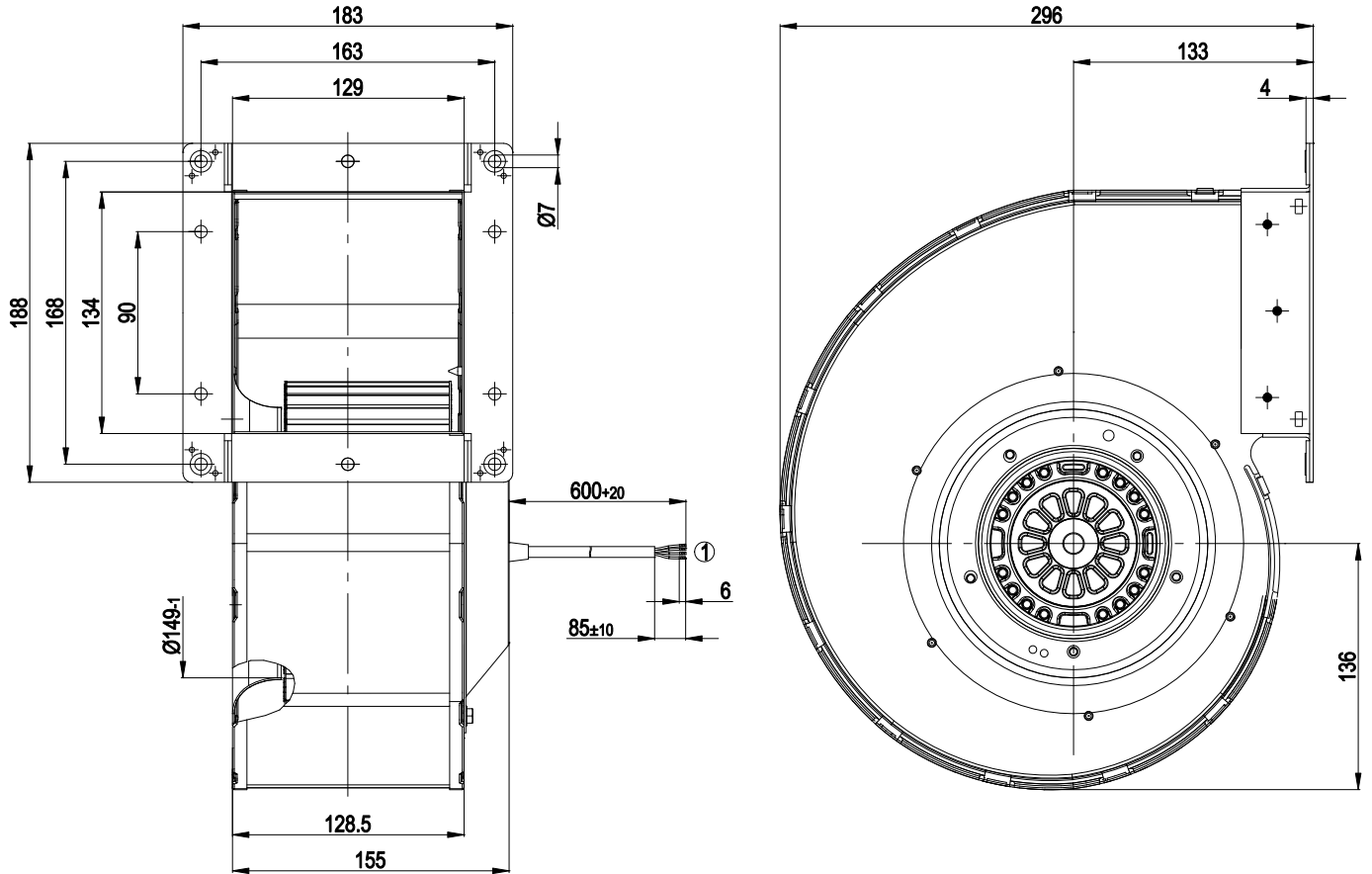
Mass	6.4 kg
Size	180 mm
Surface of rotor	Coated in black
Material of impeller	Sheet steel, galvanized
Housing material	Sheet steel, galvanized
Direction of rotation	Clockwise, seen on rotor
Type of protection	IP 44
Insulation class	"B"
Humidity class	F5
Max. permissible ambient motor temp. (transp./ storage)	+ 80 °C
Min. permissible ambient motor temp. (transp./storage)	- 40 °C
Mounting position	Any
Condensate discharge holes	Rotor-side
Operation mode	S1
Motor bearing	Ball bearing
Touch current acc. IEC 60990 (measuring network Fig. 4, TN system)	< 0.75 mA
Motor protection	Thermal overload protector (TOP) wired internally
Cable exit	Axial
Protection class	I (if protective earth is connected by customer)
Product conforming to standard	EN 60335-1; CE
Approval	CCC



AC centrifugal fan

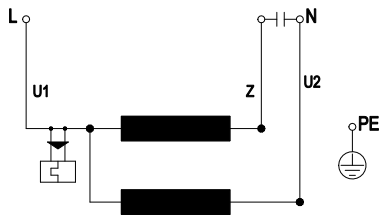
forward curved, single inlet
with housing (flange)

Product drawing



1 Connection line PVC, 4x brass lead tips crimped

Connection screen



U1	blue	Z	brown	U2	black
PE	green/yellow				

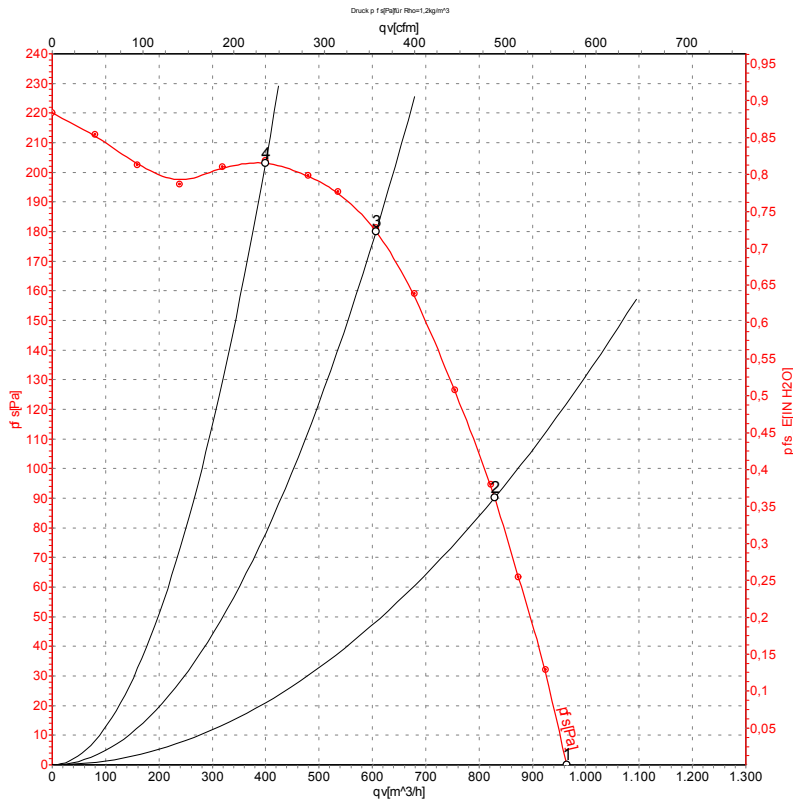


AC centrifugal fan

forward curved, single inlet

with housing (flange)

Charts: Air flow 50 Hz



Measurement: LU-105209

Air performance measured as per ISO 5801 Installation category A. For detailed information on the measuring set-up, please contact ebmpapst. Suction-side noise levels: LwA measured as per ISO 13347 / LpA measured with 1m distance to fan axis. The values given are valid under the measuring conditions mentioned above and may vary according to the actual installation situation. With any deviation from the standard set-up, the specific values have to be checked and reviewed with the unit installed.

Measured values

	U	f	n	P _e	I	qv	P _{fs}
	V	Hz	min ⁻¹	W	A	m ³ /h	Pa
1	230	50	1220	160	0.71	965	0
2	230	50	1310	140	0.63	830	91
3	230	50	1385	113	0.52	605	181
4	230	50	1425	97	0.46	400	204

U = Supply voltage · f = Frequency · n = Speed · P_e = Power input · I = Current draw · qv = Air flow · P_{fs} = Pressure increase

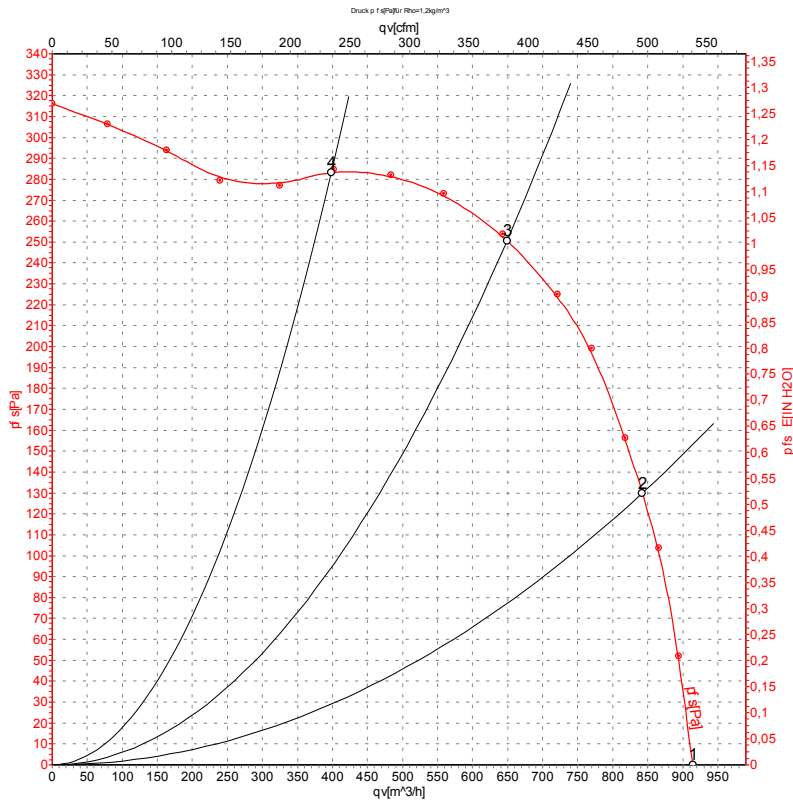


AC centrifugal fan

forward curved, single inlet

with housing (flange)

Charts: Air flow 60 Hz



Measurement: LU-105211

Air performance measured as per ISO 5801 Installation category A. For detailed information on the measuring set-up, please contact ebmpapst. Suction-side noise levels: LwA measured as per ISO 13347 / LpA measured with 1m distance to fan axis. The values given are valid under the measuring conditions mentioned above and may vary according to the actual installation situation. With any deviation from the standard set-up, the specific values have to be checked and reviewed with the unit installed.

Measured values

	U	f	n	P _e	I	qv	P _{fs}
	V	Hz	min ⁻¹	W	A	m ³ /h	Pa
1	230	60	1200	197	0.87	915	0
2	230	60	1430	180	0.78	840	130
3	230	60	1605	146	0.64	650	252
4	230	60	1690	117	0.52	400	284

U = Supply voltage · f = Frequency · n = Speed · P_e = Power input · I = Current draw · qv = Air flow · P_{fs} = Pressure increase

