

AC centrifugal fan

forward curved, single inlet

with housing (flange)

G4D225-FK10-11 ebmpapst Datasheet

sales@fansco.com

www.fansco.com

Limited partnership · Headquarters Mulfingen
County court Stuttgart · HRA 590344

General partner Elektrobau Mulfingen GmbH · Headquarters Mulfingen
County court Stuttgart · HRB 590142

Nominal data

Type	G4D225-FK10-11		
Motor	M4D094-FA		
Phase		1~	1~
Nominal voltage	VAC	230	230
Connection		Δ	Δ
Frequency	Hz	50	60
Type of data definition		ml	ml
Valid for approval / standard		CE	CE
Speed (rpm)	min ⁻¹	1440	1670
Power input	W	185	285
Current draw	A	1.0	1.27
Motor capacitor	μ F	12	12
Capacitor voltage	VDB	320	320
Capacitor standard		S0 (CE)	S0 (CE)
Min. back pressure	Pa	300	400
Min. ambient temperature	°C	-40	-40
Max. ambient temperature	°C	85	50
Starting current	A	4.2	3.82

ml = Max. load · me = Max. efficiency · fa = Running at free air · cs = Customer specs · cu = Customer unit
Subject to alterations

Data according to ErP directive

		Actual	Request 2015
01 Overall efficiency η_{es}	%	34.2	33
02 Measurement category		A	
03 Efficiency category		Static	
04 Efficiency grade N		45.2	44
05 Variable speed drive		No	

Data definition with optimum efficiency.
The ErP data is determined using a motor-impeller combination in a standardised measurement configuration.

09 Power input P_e	kW	0.18
09 Air flow q_v	m ³ /h	755
09 Pressure increase p_{fs}	Pa	295
10 Speed (rpm) n	min ⁻¹	1445
11 Specific ratio*		1.00

* Specific ratio = $1 + p_g / 100\,000\text{ Pa}$

LU-56986



AC centrifugal fan

forward curved, single inlet
with housing (flange)

Technical features

Mass	10.05 kg
Size	225 mm
Surface of rotor	Coated in black
Material of impeller	Sheet steel, coated in black
Housing material	Sheet steel, galvanised
Direction of rotation	Clockwise, seen on rotor
Type of protection	IP 54
Insulation class	"F"
Humidity (F)/environmental protection class (H)	H2
Max. permissible ambient motor temp. (transp./ storage)	+ 80 °C
Min. permissible ambient motor temp. (transp./storage)	- 40 °C
Mounting position	Any
Condensate discharge holes	None
Operation mode	S1
Motor bearing	Ball bearing
Touch current acc. IEC 60990 (measuring network Fig. 4, TN system)	<= 3.5 mA
Electrical leads	Via terminal box, integrated capacitor connected via terminal box
Motor protection	Thermal overload protector (TOP) brought out, basic insulation
Cable exit	Variable
Protection class	I (if protective earth is connected by customer)
Motor capacitor according to EN 60252-1 in safety protection class	S0
Product conforming to standard	EN 60034-1 (2010); CE

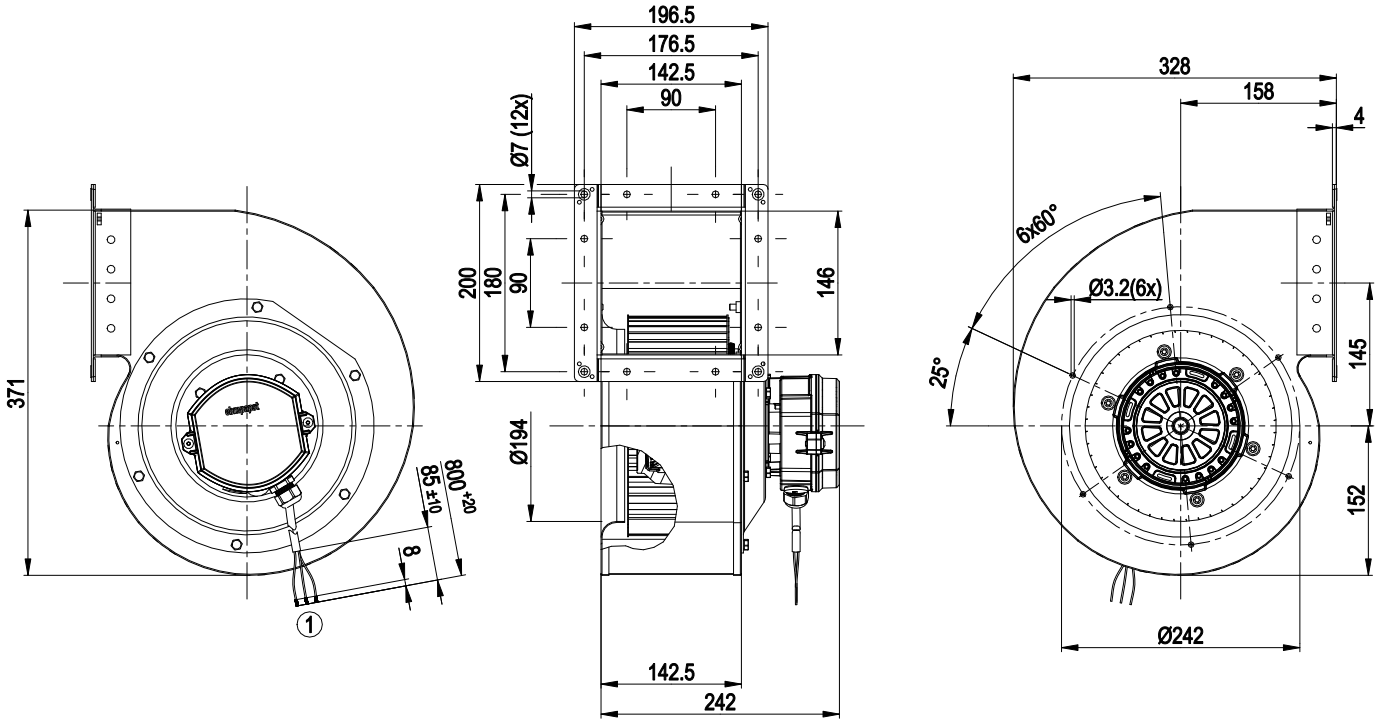


G4D225-FK10-11

AC centrifugal fan

forward curved, single inlet
with housing (flange)

Product drawing



1 Connection line silicone 3G 0.5 mm², 3x lead tips crimped (L, N, PE)

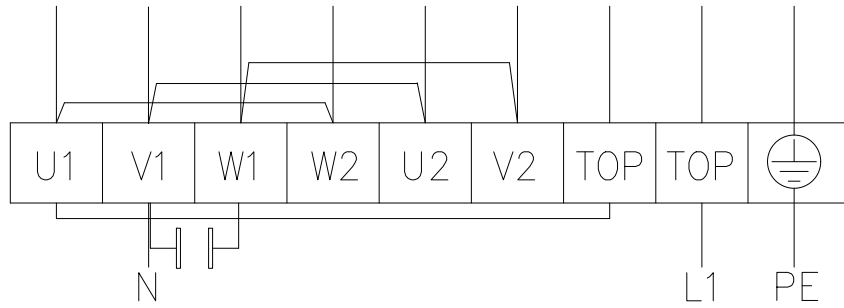


AC centrifugal fan

forward curved, single inlet
with housing (flange)

Connection screen

Steinmetz circuit
Delta connected
Clockwise operation



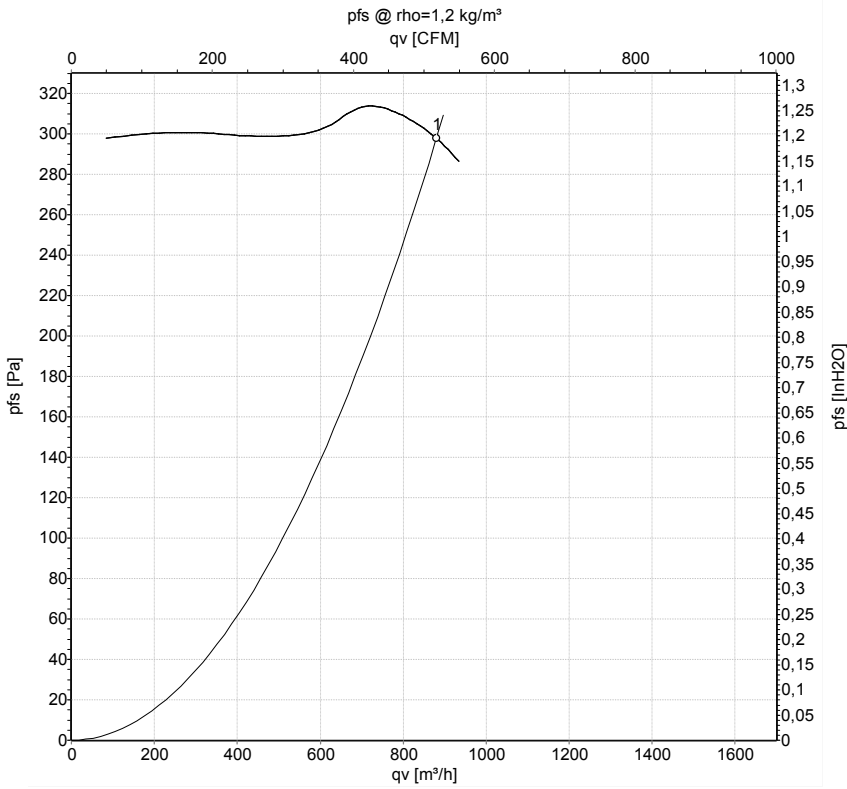
N	blue	L1	black
---	------	----	-------



AC centrifugal fan

forward curved, single inlet
with housing (flange)

Charts: Air flow 50 Hz



Measurement: LU-159010-1

Air performance measured as per ISO 5801 Installation category A. For detailed information on the measuring set-up, please contact ebm-papst. Suction-side noise levels: LwA measured as per ISO 13347 / LpA measured with 1m distance to fan axis. The values given are valid under the measuring conditions mentioned above and may vary according to the actual installation situation. With any deviation from the standard set-up, the specific values have to be checked and reviewed with the unit installed.

Measured values

	Conn.	U	f	n	P _e	I	q _v	P _{fs}	q _v	P _{fs}
		V	Hz	min ⁻¹	W	A	m ³ /h	Pa	cfm	inH2O
1	Δ	230	50	1440	185	1.00	880	300	520	1.20

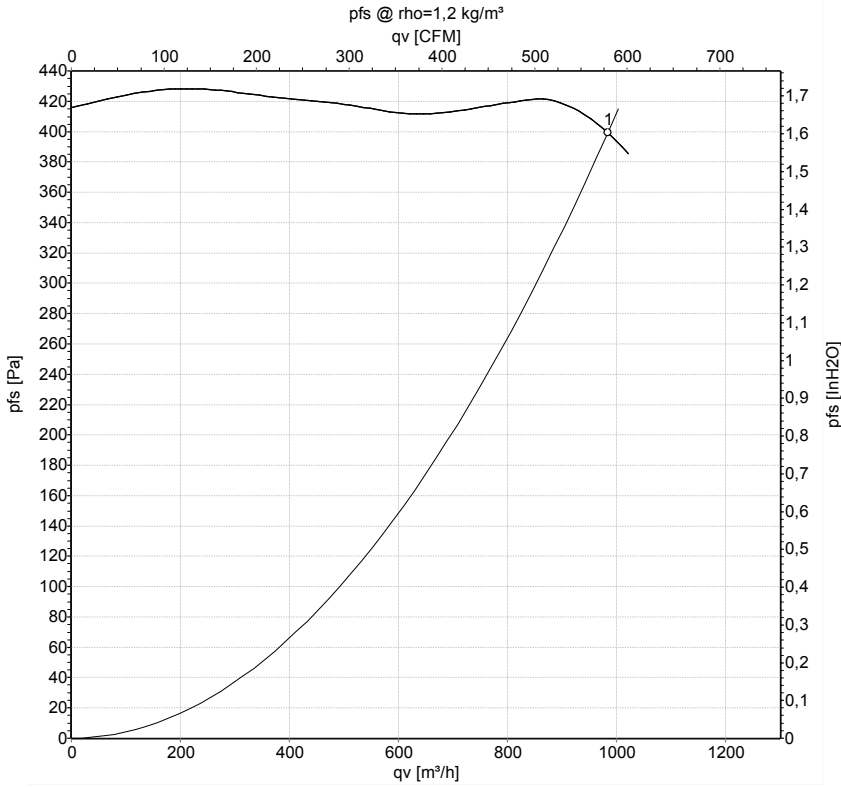
Conn. = Connection · U = Supply voltage · f = Frequency · n = Speed (rpm) · P_e = Power input · I = Current draw · q_v = Air flow · p_{fs} = Pressure increase



AC centrifugal fan

forward curved, single inlet
with housing (flange)

Charts: Air flow 60 Hz



Measurement: LU-159013-1

Air performance measured as per ISO 5801 Installation category A. For detailed information on the measuring set-up, please contact ebmpapst. Suction-side noise levels: LwA measured as per ISO 13347 / LpA measured with 1m distance to fan axis. The values given are valid under the measuring conditions mentioned above and may vary according to the actual installation situation. With any deviation from the standard set-up, the specific values have to be checked and reviewed with the unit installed.

Measured values

	Conn.	U	f	n	P _e	I	q _v	P _{fs}	q _v	P _{fs}
		V	Hz	min ⁻¹	W	A	m ³ /h	Pa	cfm	inH2O
1	Δ	230	60	1670	285	1.27	985	400	580	1.61

Conn. = Connection · U = Supply voltage · f = Frequency · n = Speed (rpm) · P_e = Power input · I = Current draw · q_v = Air flow · p_{fs} = Pressure increase

