

AC centrifugal fan

forward curved, single inlet

with housing (large flange)

G4D200-CD04-27 ebmpapst Datasheet

sales@fansco.com

www.fansco.com

Limited partnership · Headquarters Mulfingen
County court Stuttgart · HRA 590344

General partner Elektrobau Mulfingen GmbH · Headquarters Mulfingen
County court Stuttgart · HRB 590142



Nominal data

Type	G4D200-CD04-27		
Motor	M4D068-GA		
Phase		3~	3~
Nominal voltage	VAC	400	400
Connection		Y	Y
Frequency	Hz	50	60
Type of data definition		fa	fa
Valid for approval / standard		CE	CE
Speed	min ⁻¹	1370	1530
Power input	W	210	310
Current draw	A	0.47	0.54
Min. back pressure	Pa	0	0
Max. ambient temperature	°C	80	65

ml = max. load · me = max. efficiency · fa = running at free air · cs = customer specs · cu = customer unit
Subject to alterations

Data according to ErP directive

Installation category	A
Efficiency category	Static
Variable speed drive	No
Specific ratio*	1.00

* Specific ratio = $1 + p_b / 100\,000\text{ Pa}$

	Actual	Request 2013	Request 2015
Overall efficiency η_{es}	33.6	25.3	32.3
Efficiency grade N	45.3	37	44
Power input P_e	kW	0.14	
Air flow q_v	m ³ /h	700	
Pressure increase p_{fs}	Pa	243	
Speed n	min ⁻¹	1420	

Data established at point of optimum efficiency



AC centrifugal fan

forward curved, single inlet
with housing (large flange)

Technical features

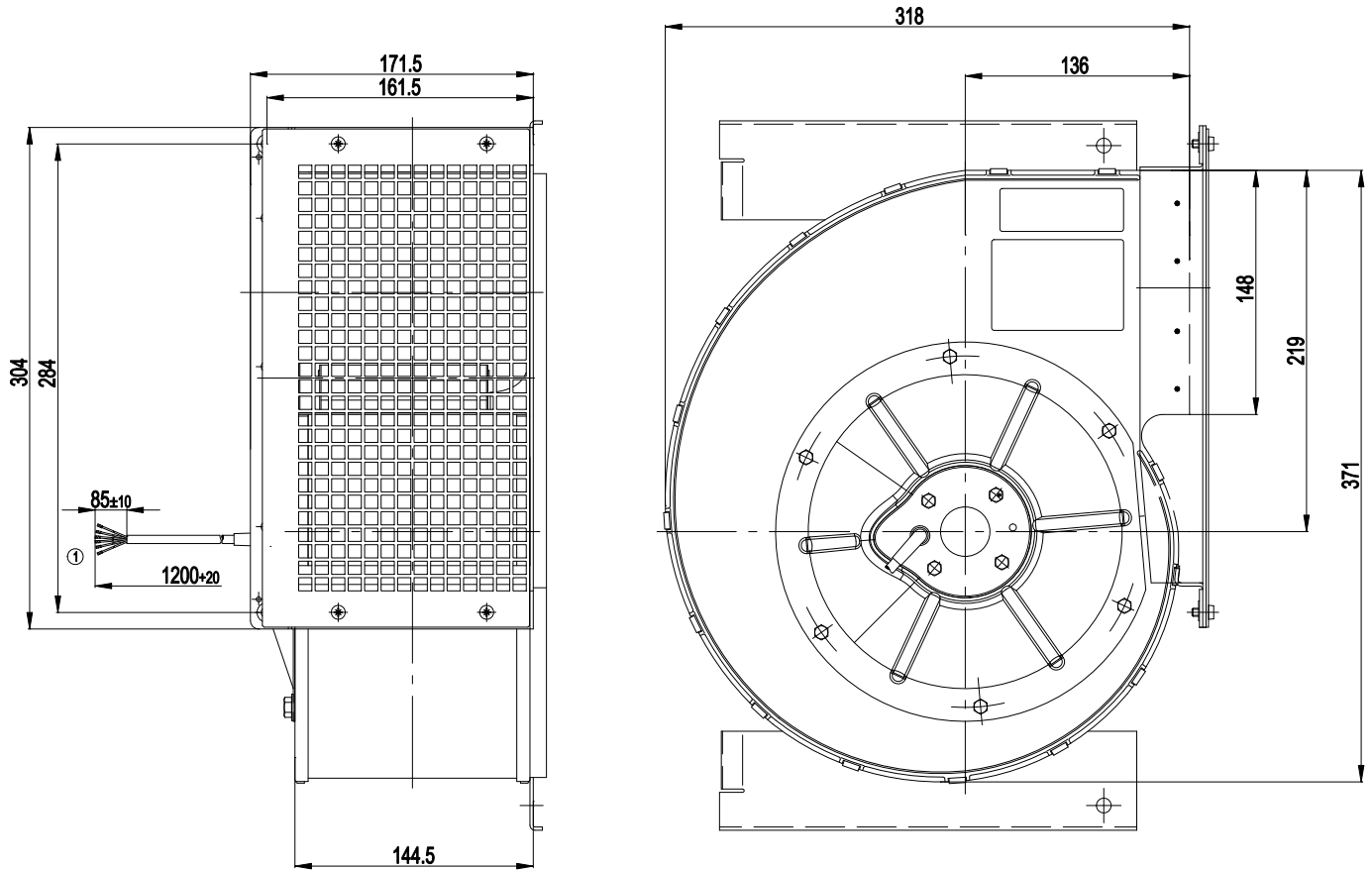
Size	200 mm
Surface of rotor	Uncoated
Material of impeller	Sheet steel, sendzimir galvanised
Housing material	Sheet steel, hot-dip galvanised
Direction of rotation	Counter-clockwise, seen on rotor
Type of protection	IP 44
Insulation class	"F"
Humidity class	F1-1
Max. permissible ambient motor temp. (transp./ storage)	+ 80 °C
Min. permissible ambient motor temp. (transp./storage)	- 40 °C
Mounting position	Any
Condensate discharge holes	None
Operation mode	S1
Motor bearing	Ball bearing
Touch current acc. IEC 60990 (measuring network Fig. 4, TN system)	< 0.75 mA
Motor protection	Thermal overload protector (TOP) brought out
Cable exit	Axial
Protection class	I (if protective earth is connected by customer)
Product conforming to standard	EN 60335-1; CE
Approval	CCC; UL 1004-1; CSA C22.2 Nr.100



AC centrifugal fan

forward curved, single inlet
with housing (large flange)

Product drawing



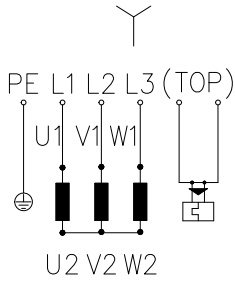
1 Connection line PFA, 6x brass lead tips crimped



AC centrifugal fan

forward curved, single inlet
with housing (large flange)

Connection screen

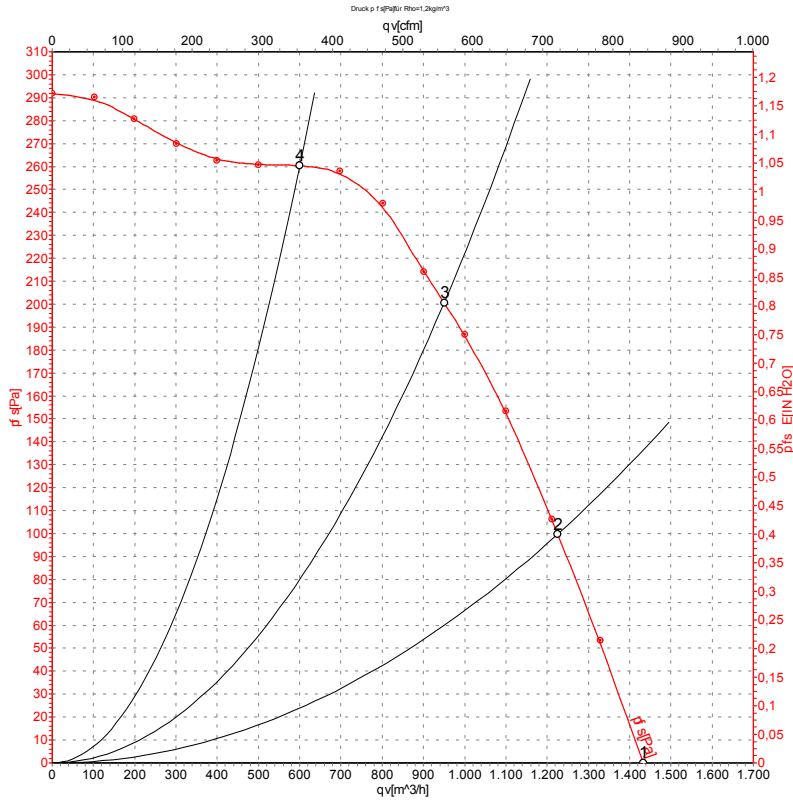


Y	Star connection	L1	black	L2	blue
L3	brown	U1	black	V1	blue
W1	brown	U2	green	V2	white
W2	yellow	TOP	grey		

AC centrifugal fan

forward curved, single inlet
with housing (large flange)

Charts: Air flow 50 Hz



Measurement: LU-109697

Air performance measured as per ISO 5801 Installation category A. For detailed information on the measuring set-up, please contact ebm-papst. Suction-side noise levels: L_{wA} measured as per ISO 13347 / L_{pA} measured with 1m distance to fan axis. The values given are valid under the measuring conditions mentioned above and may vary according to the actual installation situation. With any deviation from the standard set-up, the specific values have to be checked and reviewed with the unit installed.

Measured values

	Conn.	U	f	n	P _e	I	L _{pA_{in}}	L _{wA_{in}}	qv	p _{fs}
		V	Hz	min ⁻¹	W	A	dB(A)	dB(A)	m ³ /h	Pa
1	Y	400	50	1280	310	0.58	72	78	1435	0
2	Y	400	50	1330	247	0.49	69	75	1225	100
3	Y	400	50	1385	184	0.43	65	72	950	200
4	Y	400	50	1430	127	0.38	63	71	600	260

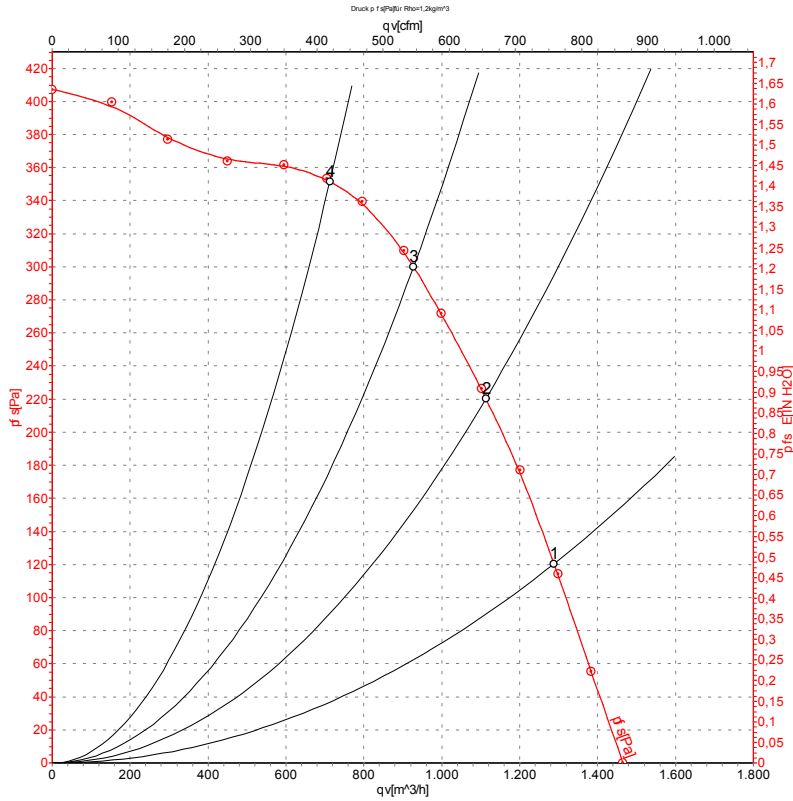
Conn. = Connection · U = Supply voltage · f = Frequency · n = Speed · P_e = Power input · I = Current draw · L_{pA_{in}} = Sound pressure level inlet side · L_{wA_{in}} = Sound power level inlet side
qv = Air flow · p_{fs} = Pressure increase



AC centrifugal fan

forward curved, single inlet
with housing (large flange)

Charts: Air flow 60 Hz



Measurement: LU-117881

Air performance measured as per ISO 5801 Installation category A. For detailed information on the measuring set-up, please contact ebm-papst. Suction-side noise levels: LwA measured as per ISO 13347 / LpA measured with 1m distance to fan axis. The values given are valid under the measuring conditions mentioned above and may vary according to the actual installation situation. With any deviation from the standard set-up, the specific values have to be checked and reviewed with the unit installed.

Measured values

	Conn.	U	f	n	P _e	I	qv	p _{fs}
		V	Hz	min ⁻¹	W	A	m ³ /h	Pa
1	Y	400	60	1470	370	0.62	1290	120
2	Y	400	60	1540	304	0.52	1115	220
3	Y	400	60	1600	248	0.45	930	300
4	Y	400	60	1660	186	0.37	715	350

Conn. = Connection · U = Supply voltage · f = Frequency · n = Speed · P_e = Power input · I = Current draw · qv = Air flow · p_{fs} = Pressure increase

