

AC centrifugal fan

forward-curved, single-intake
with housing (flange)

G4D180-GF20-11 ebmpapst Datasheet
sales@fansco.com
www.fansco.com

Limited partnership · Headquarters Mulfingen
Amtsgericht (court of registration) Stuttgart · HRA 590344
General partner Elektrobau Mulfingen GmbH · Headquarters Mulfingen
Amtsgericht (court of registration) Stuttgart · HRB 590142

Nominal data

Type	G4D180-GF20-11	
Motor	M4D074-DF	
Phase		3~
Nominal voltage	VAC	400
Wiring		Y
Frequency	Hz	50
Method of obtaining data		fa
Valid for approval/standard		CE
Speed	min ⁻¹	1290
Power consumption	W	195
Current draw	A	0.40
Min. back pressure	Pa	0
Min. ambient temperature	°C	-25
Max. ambient temperature	°C	80
Starting current	A	1.1

ml = Max. load · me = Max. efficiency · fa = Free air · cs = Customer specification · ce = Customer equipment
Subject to change



G4D180-GF20-11

AC centrifugal fan

forward-curved, single-intake
with housing (flange)

Technical description

Weight	6.1 kg
Fan size	180 mm
Rotor surface	Painted black
Impeller material	Sheet steel, galvanized
Housing material	Sheet steel, galvanized
Direction of rotation	Clockwise, viewed toward rotor
Degree of protection	IP44; installation- and position-dependent as per EN 60034-1
Insulation class	"F"
Moisture (F) / Environmental (H) protection class	F5
Max. permitted ambient temp. for motor (transport/storage)	+ 80 °C
Min. permitted ambient temp. for motor (transport/storage)	- 40 °C
Installation position	Shaft horizontal or rotor on bottom; rotor on top on request
Condensation drainage holes	On rotor side
Mode	S1
Motor bearing	Ball bearing
Touch current according to IEC 60990 (measuring circuit Fig. 4, TN system)	< 0.75 mA
Motor protection	Thermal overload protector (TOP) with basic insulation
With cable	Variable
Protection class	I (with customer connection of protective earth)
Conformity with standards	EN 60335-1

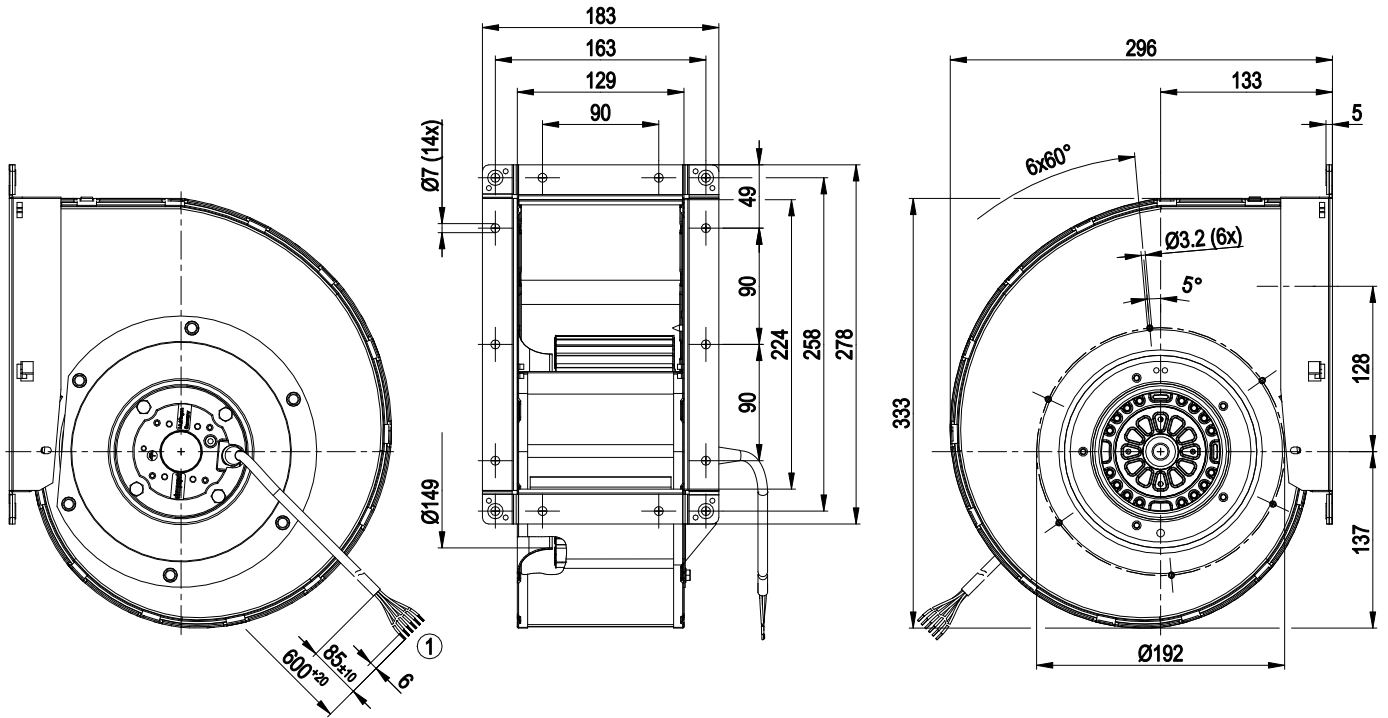


G4D180-GF20-11

AC centrifugal fan

forward-curved, single-intake
with housing (flange)

Product drawing



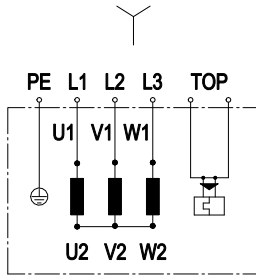
1 Cable XLPE/XLPO 6G 0.5 mm² with 6x crimped splices



AC centrifugal fan

forward-curved, single-intake
with housing (flange)

Connection diagram

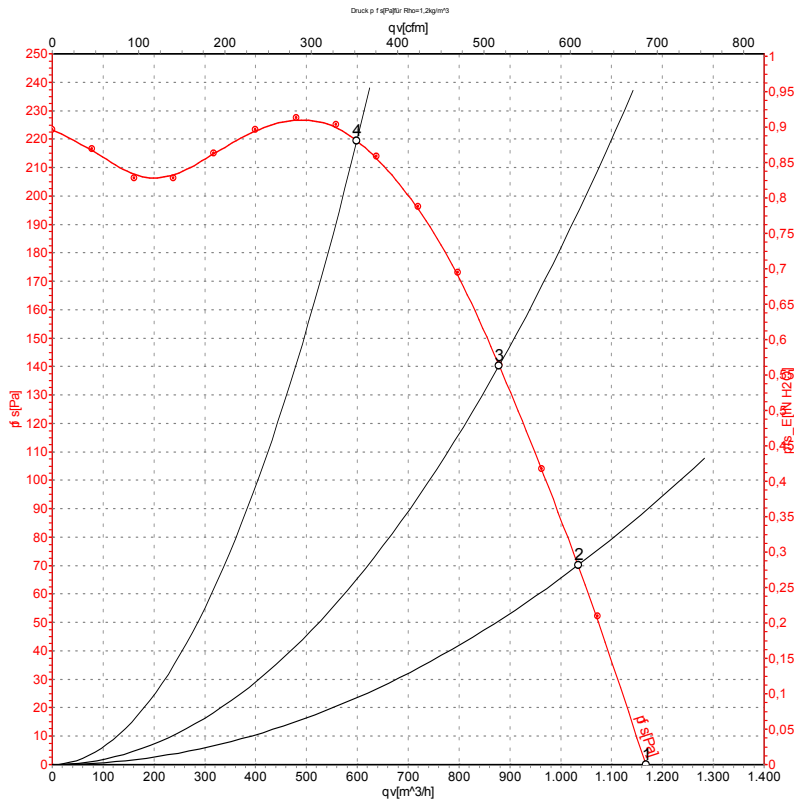


Note: Change of rotation direction by reversing two phases

Y	Star connection	L1	= U1 = black	L2	= V1 = blue
L3	= W1 = brown	PE	green/yellow	TOP	2x gray



Curves: Air performance 50 Hz



Measurement: LU-105224-1

Air performance measured according to ISO 5801 installation category A. For detailed information on the measurement setup, contact ebm-papst. Intake sound level: Sound power level according to ISO 13347 / sound pressure level measured at 1 m distance from fan axis. The values given are valid under the specified measuring conditions and may vary due to conditions of installation. For deviations from the standard configuration, the parameters have to be checked on the installed unit.

Measured values

	Wired	U	f	n	P _e	I	qv	p _{fs}
		V	Hz	min ⁻¹	W	A	m ³ /h	Pa
1	Y	400	50	1290	195	0.40	1165	0
2	Y	400	50	1315	186	0.39	1035	70
3	Y	400	50	1360	152	0.36	880	140
4	Y	400	50	1415	110	0.34	600	220

Wired = Wiring · U = Power supply · f = Frequency · n = Speed · P_e = Power consumption · I = Current draw · qv = Air flow · p_{fs} = Pressure increase

