

G3G200-AL29-71

# EC centrifugal fan

forward curved, single inlet  
with housing (without flange)



G3G200-AL29-71 ebmpapst Datasheet  
sales@fansco.com  
www.fansco.com

## Nominal data

Type	G3G200-AL29-71	
Motor	M3G084-FA	
Phase		1~
Nominal voltage	[VAC]	230
Nominal voltage range	[VAC]	200 .. 277
Frequency	[Hz]	50/60
Type of data definition		ml
Speed	[min <sup>-1</sup> ]	1850
Power input	[W]	510
Current draw	[A]	3.15
Min. ambient temperature	[°C]	-25
Max. ambient temperature	[°C]	50

ml = max. load · me = max. efficiency · rfa = running at free air · cs = customer specs · cu = customer unit  
Subject to alterations

# EC centrifugal fan

forward curved, single inlet  
with housing (without flange)

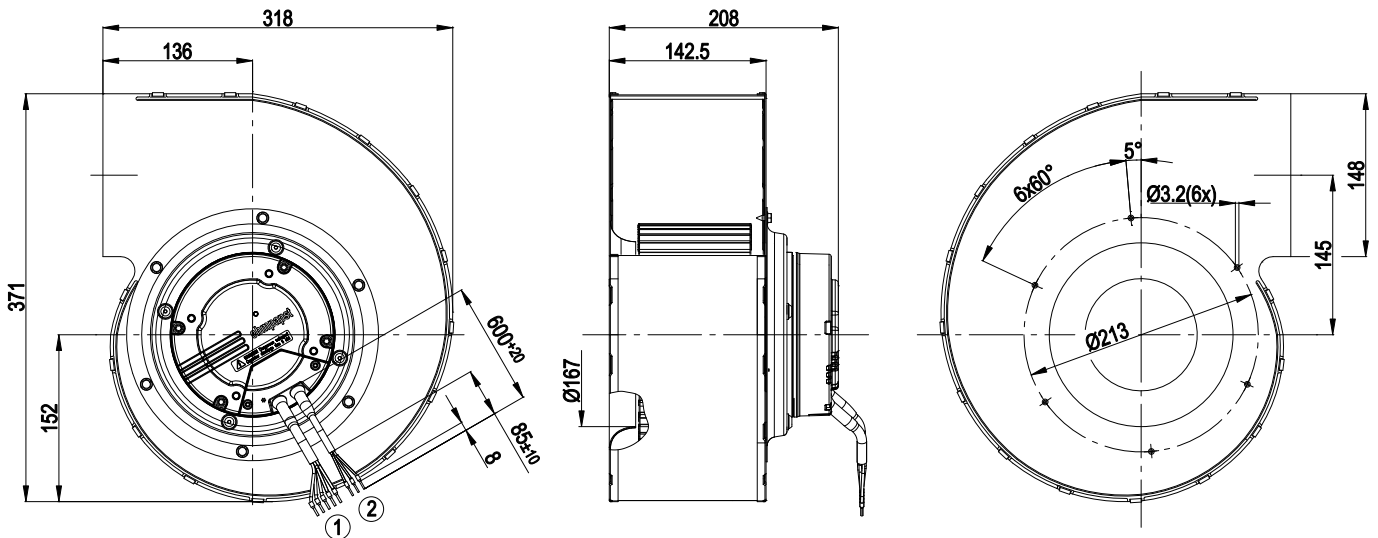
## Technical features

Leakage current	<= 3.5 mA
Size	200 mm
Operation mode	S1
Direction of rotation	Clockwise, seen on rotor
Mounting position	Shaft horizontal or rotor on bottom; rotor on top on request
EMC harmonics	Acc. to EN 61000-3-2/3
EMC interference emission	Acc. to EN 61000-6-3
EMC interference immunity	Acc. to EN 61000-6-2
Insulation class	"B"
Cable exit	Variable
Condensate discharge holes	None
Motor bearing	Ball bearing
Mass	7.4 kg
Material of electronics housing	Die-cast aluminium
Housing material	Sheet steel, hot-dip galvanised
Material of impeller	Sheet steel, hot-dip galvanised
Motor protection	Thermal overload protector (TOP) wired internally
Product conforming to standard	EN 61800-5-1
Surface of rotor	Coated in black
Type of protection	IP 54
Protection class	I
Technical features	<ul style="list-style-type: none"> <li>- Output 10 VDC, max. 1.1 mA</li> <li>- Alarm relay</li> <li>- Motor current limit</li> <li>- Soft start</li> <li>- Control input 0-10 VDC / PWM</li> <li>- Over-temperature protected electronics / motor</li> <li>- Line undervoltage detection</li> </ul>
Max. permissible ambient motor temp. (transp./ storage)	+80 °C
Min. permissible ambient motor temp. (transp./storage)	-40 °C
Approval	CSA C22.2 Nr.77; UL 2111

# EC centrifugal fan

forward curved, single inlet  
with housing (without flange)

## Product drawing



- |   |  |
|---|--|
| 1 | Connection line PVC AWG18, 5x crimped core-end sleeves |
| 2 | Connection line PVC AWG22, 3x crimped core-end sleeves |

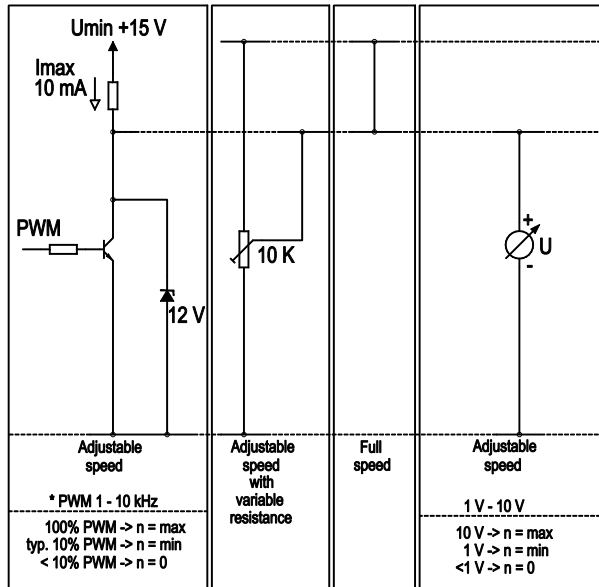
# EC centrifugal fan

forward curved, single inlet  
with housing (without flange)

## Connection screen

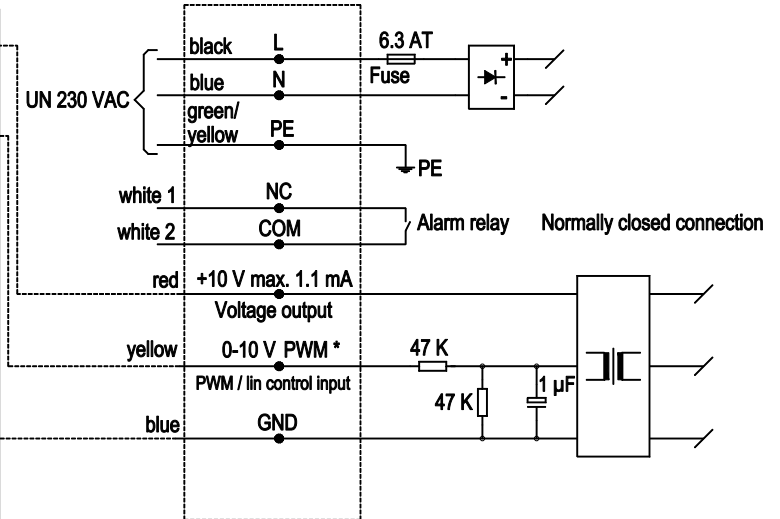
### Customer circuit

Notes on various control possibilities and their applications



### Connection

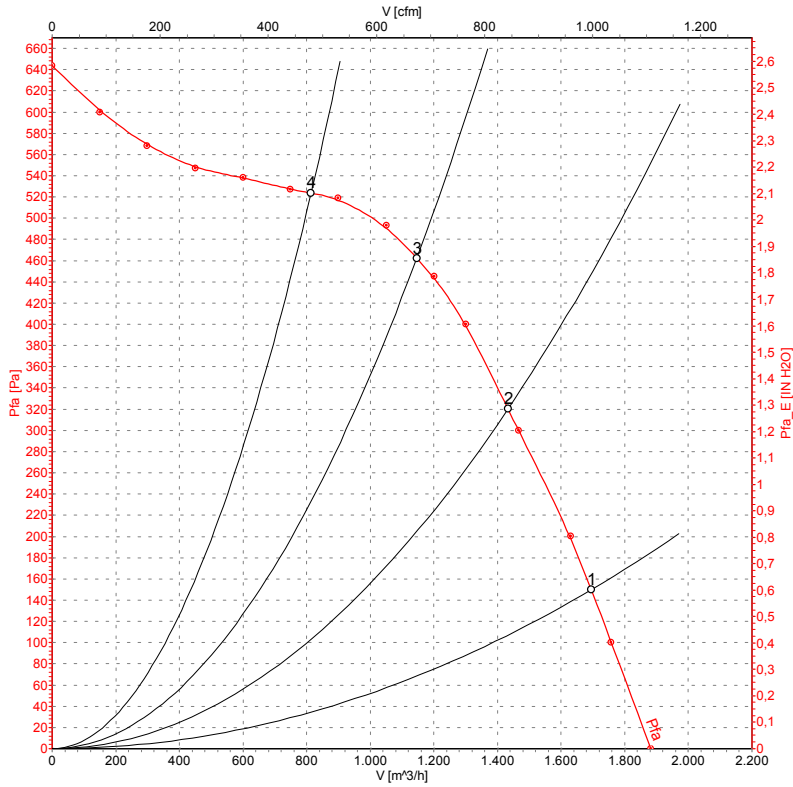
### Fan / motor



# EC centrifugal fan

forward curved, single inlet  
with housing (without flange)

## Charts: Air flow 50 Hz



Measurement: LU-71814

Air performance measured as per ISO 5801 Installation Category A. For detailed information on the measuring set-up, please contact ebm-papst. Suction-side noise levels: L<sub>wA</sub> measured as per ISO 13347 / L<sub>pA</sub> measured with 1m distance to fan axis. The values given are valid under the measuring conditions mentioned above and may vary according to the actual installation situation. With any deviation from the standard set-up, the specific values have to be checked and reviewed with the unit installed.

## Measured values

	U	f	n	P <sub>1</sub>	I	$\hat{V}$	p <sub>fa</sub>
	[V]	[Hz]	[min <sup>-1</sup> ]	[W]	[A]	[m <sup>3</sup> /h]	[Pa]
1	230	50	1850	510	3.15	1695	150
2	230	50	1910	446	2.80	1435	320
3	230	50	1980	361	2.27	1145	462
4	230	50	2055	278	1.77	815	524