

EC centrifugal fan

forward curved, single inlet
with housing (without flange)

G3G146-CC11-15 ebmpapst Datasheet
sales@fansco.com
www.fansco.com

Limited partnership · Headquarters Muldingen
County court Stuttgart · HRA 590344

General partner Elektrobau Muldingen GmbH · Headquarters Muldingen
County court Stuttgart · HRB 590142

Nominal data

Type	G3G146-CC11-15	
Motor	M3G055-CF	
Phase		1~
Nominal voltage	VAC	230
Frequency	Hz	50/60
Type of data definition		ml
Speed (rpm)	min ⁻¹	2260
Power input	W	90
Current draw	A	0.7
Min. ambient temperature	°C	-25
Max. ambient temperature	°C	40

ml = Max. load · me = Max. efficiency · fa = Running at free air · cs = Customer specs · cu = Customer unit
Subject to alterations



EC centrifugal fan

forward curved, single inlet
with housing (without flange)

Technical features

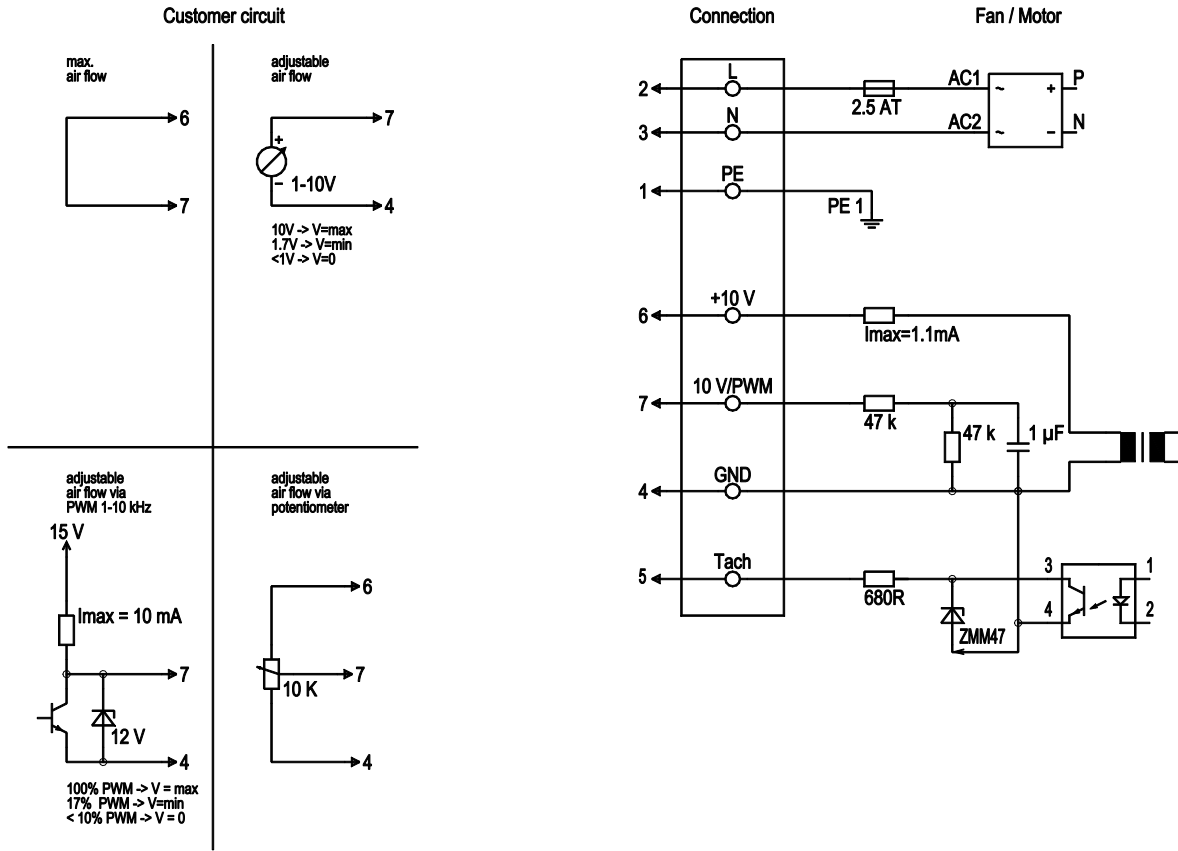
Mass	2.3 kg
Size	146 mm
Surface of rotor	Thick layer passivated
Material of electronics housing	Die-cast aluminium
Material of impeller	Sheet steel, galvanised
Housing material	Sheet steel, hot-galvanised
Direction of rotation	Clockwise, seen on rotor
Type of protection	IP 44; Depending on installation and position
Insulation class	"B"
Humidity (F)/environmental protection class (H)	F3-1
Max. permissible ambient motor temp. (transp./ storage)	+ 80 °C
Min. permissible ambient motor temp. (transp./storage)	- 40 °C
Mounting position	Shaft horizontal or rotor on bottom; rotor on top on request
Condensate discharge holes	Rotor-side
Operation mode	S1
Motor bearing	Ball bearing
Technical features	<ul style="list-style-type: none"> - Output 10 VDC, max. 1.1 mA - Tach output - Motor current limit - Soft start - Set value input Lin 0-10 VDC / PWM (1.7, V corresponds to V=min, 10 V corresponds to V=max) - Control interface with SELV potential safely disconnected from the mains - Over-temperature protected motor
EMC interference immunity	Acc. to EN 61000-6-2
EMC harmonics	Acc. to EN 61000-3-2/3
EMC interference emission	Acc. to EN 61000-6-3 (household environment)
Touch current acc. IEC 60990 (measuring network Fig. 4, TN system)	<= 0.25 mA
Electrical leads	With plug
Motor protection	Thermal overload protector (TOP) wired internally
Cable exit	Variable
Protection class	I (if protective earth is connected by customer)
Product conforming to standard	CE



EC centrifugal fan

forward curved, single inlet
with housing (without flange)

Connection screen



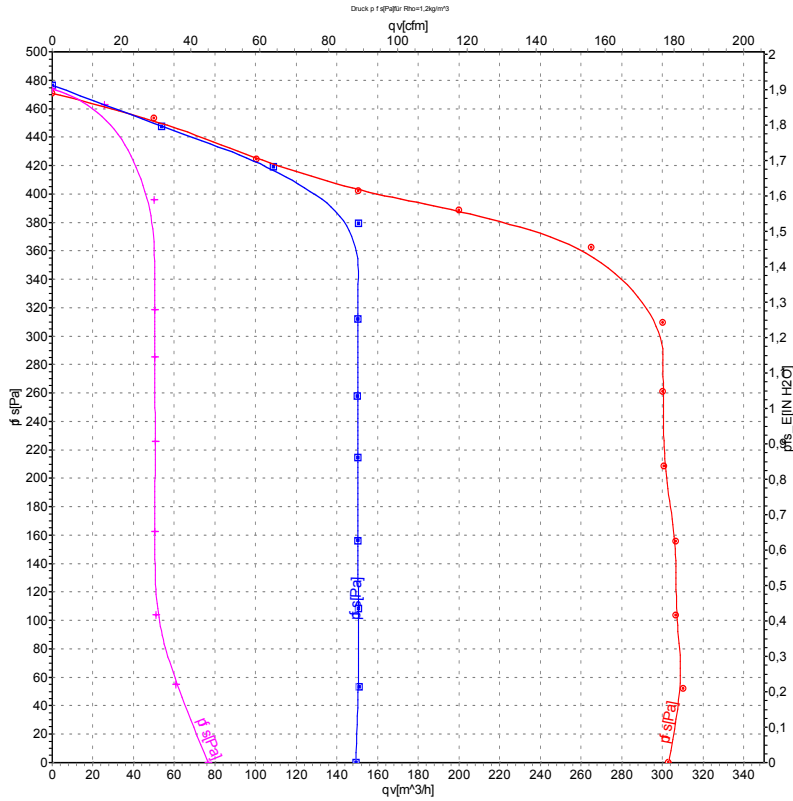
No.	Conn.	Designation	Colour	Function / assignment
	2	L	brown	Power supply 230 VAC, 50-60 Hz, see type plate for voltage range
	3	N	blue	Neutral conductor
	1	PE	green/yellow	Protective earth
	7	0-10 V PWM	yellow	Control input 0 - 10 V or PWM, electrically isolated
	5	Tach	white	Tach output: Open Collector, 1 pulse per revolution, electrically isolated
	6	10V	red	max. 1.1 mA, voltage output 10 V/1.1 mA, electrically isolated, not short-circuit-proof
	4	GND	blue	GND - Connection for control interface



EC centrifugal fan

forward curved, single inlet
with housing (without flange)

Charts: Air flow 50 Hz



Measurement: LU-68812-1
Measurement: LU-68816-1
Measurement: LU-68817-1

Air performance measured as per ISO 5801 Installation category A. For detailed information on the measuring set-up, please contact ebmpapst. Suction-side noise levels: L_{WA} measured as per ISO 13347 / L_{pA} measured with 1m distance to fan axis. The values given are valid under the measuring conditions mentioned above and may vary according to the actual installation situation. With any deviation from the standard set-up, the specific values have to be checked and reviewed with the unit installed.

Measured values

	U	f	n	P _{ed}	I	q _v	p _{fs}	q _v	p _{fs}
	V	Hz	min ⁻¹	W	A	m ³ /h	Pa	cfm	inH ₂ O
1	230	50	1450	38	0.29	305	0	180	0.00
2	230	50	1825	56	0.42	305	100	180	0.40
3	230	50	2100	68	0.52	300	200	180	0.80
4	230	50	2375	84	0.64	300	300	175	1.20
5	230	50	725	8.0	0.07	150	0	90	0.00
6	230	50	1385	17	0.14	150	100	90	0.40
7	230	50	1950	31	0.24	150	200	90	0.80
8	230	50	2320	44	0.34	150	300	90	1.20
9	230	50	400	3.6	0.04	75	0	45	0.00
10	230	50	1360	11	0.09	50	100	30	0.40
11	230	50	1850	21	0.17	50	200	30	0.80
12	230	50	2340	34	0.27	50	300	30	1.20

U = Supply voltage · f = Frequency · n = Speed (rpm) · P_{ed} = Power input · I = Current draw · q_v = Air flow · p_{fs} = Pressure increase

