

G3G140-8317080144 ebmpapst Datasheet

sales@fansco.com

www.fansco.com

Nominal data

Type	G3G140-8317080144	
Motor	M3G055-CF	
Phase		1~
Nominal voltage	VAC	220
Nominal voltage range	VAC	200 .. 240
Frequency	Hz	50/60
Method of obtaining data		ml
Speed (rpm)	min ⁻¹	2447
Power consumption	W	115
Current draw	A	1.1
Min. back pressure	Pa	0
Min. back pressure	in. wg	0
Min. ambient temperature	°C	-25
Max. ambient temperature	°C	55

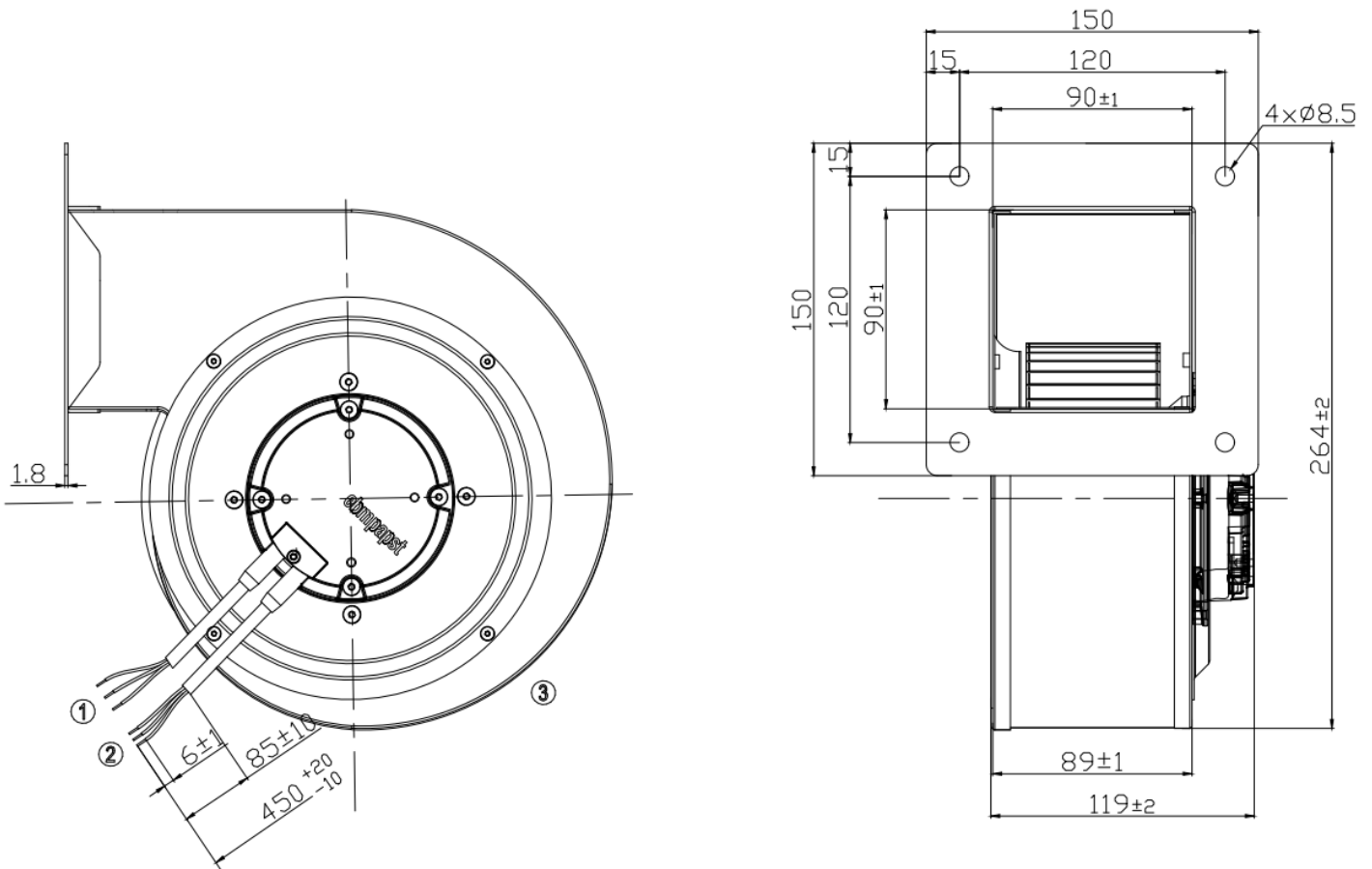
ml = Max. load · me = Max. efficiency · fa = Free air · cs = Customer specification · ce = Customer equipment
Subject to change



Technical description

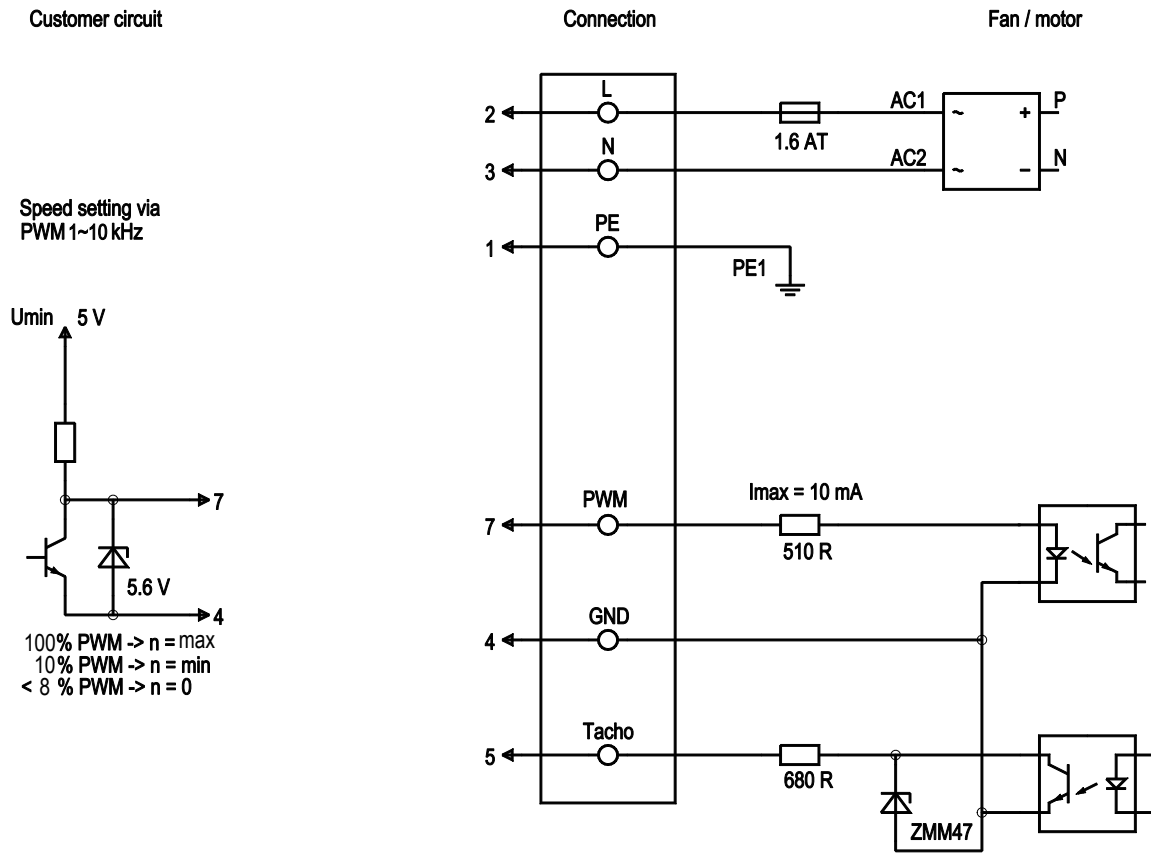
Weight	2.3 kg
Fan size	140 mm
Rotor surface	Thick-film passivated
Electronics housing material	Die-cast aluminum
Impeller material	Sheet steel, galvanized
scroll housing material	Sheet steel, painted black
Direction of rotation	Clockwise, viewed toward rotor
Degree of protection	IP44 (Air inlet upward or horizontal)
Insulation class	"B"
Moisture (F) / Environmental (H) protection class	H1
Max. permitted ambient temp. for motor (transport/storage)	+ 80 °C
Min. permitted ambient temp. for motor (transport/storage)	- 40 °C
Installation position	Any
Condensation drainage holes	None, open rotor
Mode	S1
Motor bearing	Ball bearing
Technical features	<ul style="list-style-type: none"> - Tach output - Motor current limit - Soft start - PWM control input
Touch current acc. IEC 60990 (measuring network Fig. 4, TN system)	<= 3.5 mA
Motor protection	Locked-rotor protection
Cable exit	Variable
Protection class	I (if protective earth is connected by customer)
Product conforming to standard	GB12350
Approval	CCC;

Product drawing



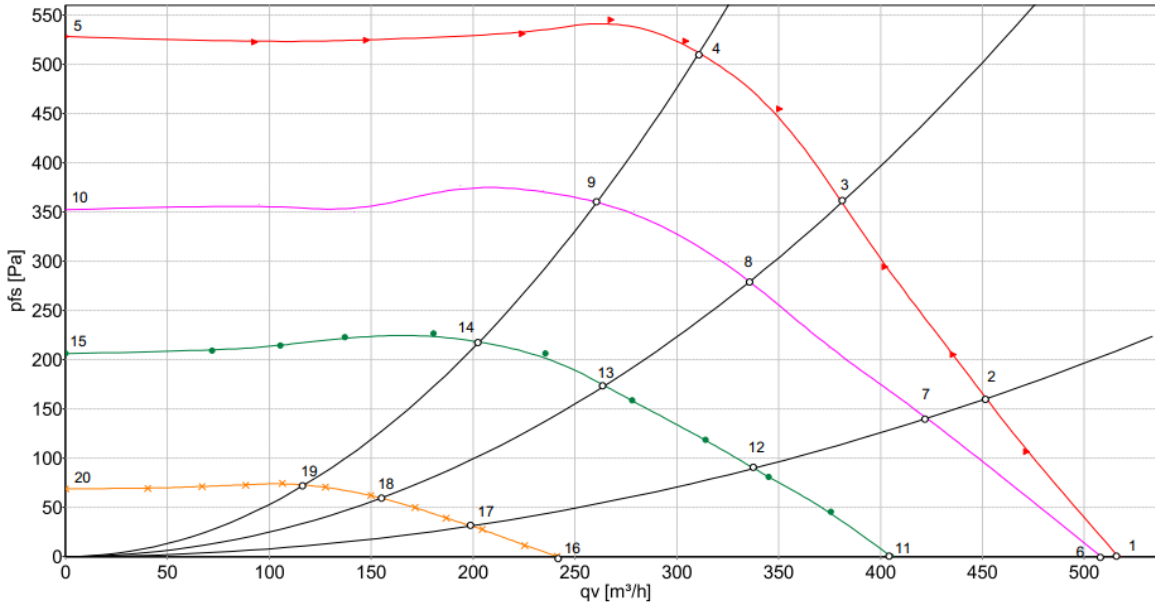
1	Cable PVC 3x 0.25 mm ² , 3x tinning thread
2	Cable PVC 3x 0.5 mm ² , 3x tinning thread
3	Scrolling housing 8317079586

Connection diagram



Line	No.	Signal	Colour	Function / assignment
	1	PE	green/yellow	Protective earth
	2	L	brown	Power supply 220 VAC, 50 - 60 Hz
	3	N	blue	Neutral conductor
	4	GND	blue	GND - Connection for control interface
	5	Tacho	white	Tach output: Open Collector, 1 pulse per revolution, electrically isolated
	7	PWM	yellow	PWM control input, electrically isolated

Curves: Air performance 50 Hz



$\rho = 1.2 \text{ kg/m}^3 \pm 2 \%$

Measurement: 11594

Air performance measured according to ISO 5801 installation category A. For detailed information on the measurement setup, contact ebm-papst. Intake sound level: Sound power level according to ISO 13347 / Sound pressure level measured at 1 m distance from fan axis. The values given are valid under the specified measuring conditions and may vary due to conditions of installation. The testing data were measured base on ebm-papst standard housing. For deviations from the standard configuration, the parameters have to be checked on the installed unit.

Fan performance

	Index	U v	f Hz	n min ⁻¹	P _{ed} W	I A	LpA _{in} dB(A)	LwA _{in} dB(A)	q _v m ³ /h	p _{fs} Pa	q _v cfm
1	01	220	50	2219	118	0.95	81	75	517	0	304
2	02	220	50	2425	118	0.95	77	75	451	163	265
3	03	220	50	2690	117	0.95	69	75	380	364	223
4	04	220	50	2874	107	0.87	70	75	310	513	182
5	05	220	50	3063	66	0.57			0	528	0
6	06	220	50	2190	115	0.94	81	75	508	0	299
7	07	220	50	2271	97	0.82	74	74	422	142	248
8	08	220	50	2355	79	0.68	66	74	334	283	196
9	09	220	50	2429	65	0.56	66	73	260	361	153
10	10	220	50	2587	33	0.29			0	352	0
11	11	220	50	1758	59	0.50	75	70	405	0	238
12	12	220	50	1825	51	0.43	63	69	338	90	199
13	13	220	50	1880	41	0.35	60	68	262	176	154
14	14	220	50	1927	33	0.29	59	67	201	219	118
15	15	220	50	2018	17	0.16			0	206	0
16	16	220	50	1075	15	0.13	50	58	241	0	142
17	17	220	50	1088	13	0.12	48	56	200	30	118
18	18	220	50	1114	11	0.10	47	55	154	60	90
19	19	220	50	1131	9	0.09	46	54	117	73	69
20	20	220	50	1192	6	0.07			0	69	0

U = Power supply · f = Frequency · n = Speed (rpm) · P_{ed} = Power consumption · I = Current draw · LpA_{in} = Sound pressure level intake side · LwA_{in} = Sound power level intake side
 q_v = Air flow · p_{fs} = Pressure increase

