

G3G120-BB19-17

EC centrifugal fan

forward-curved, single-intake

with housing (flange)



G3G120-BB19-17 ebmpapst Datasheet

sales@fansco.com

www.fansco.com

Limited partnership · Headquarters Muldingen

Amtsgericht (court of registration) Stuttgart · HRA 590344

General partner Elektrobau Muldingen GmbH · Headquarters Muldingen

Amtsgericht (court of registration) Stuttgart · HRB 590142

Nominal data

| | | |
|--------------------------|-------------------|-------|
| Type | G3G120-BB19-17 | |
| Motor | M3G055-BD | |
| Phase | | 1~ |
| Nominal voltage | VAC | 230 |
| Frequency | Hz | 50/60 |
| Method of obtaining data | | ml |
| Speed (rpm) | min ⁻¹ | 2750 |
| Power consumption | W | 37 |
| Current draw | A | 0.3 |
| Min. ambient temperature | °C | -25 |
| Max. ambient temperature | °C | 60 |

ml = Max. load · me = Max. efficiency · fa = Free air · cs = Customer specification · ce = Customer equipment
Subject to change



EC centrifugal fan

forward-curved, single-intake

with housing (flange)

Technical description

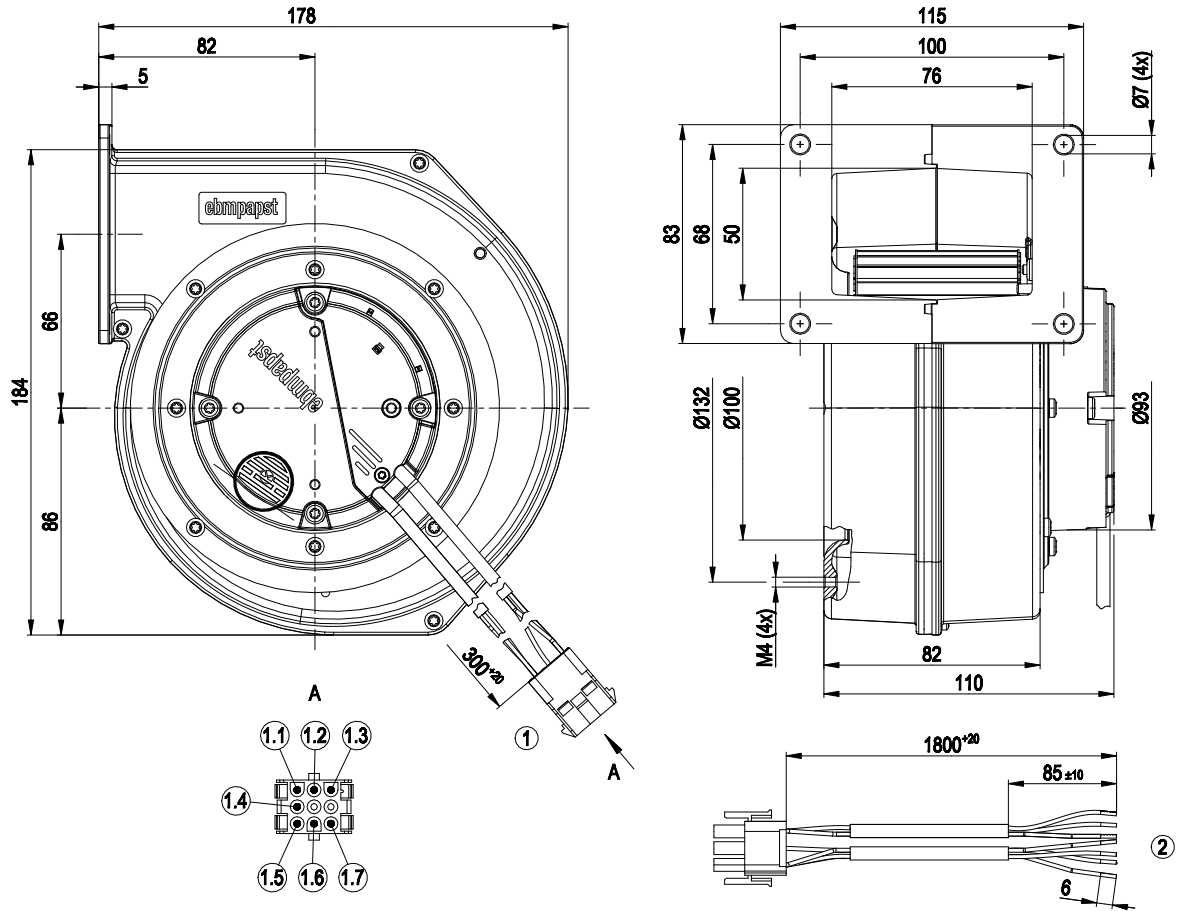
| | |
|---|---|
| Weight | 2 kg |
| Fan size | 120 mm |
| Rotor surface | Thick-film passivated |
| Electronics housing material | Die-cast aluminum |
| Impeller material | Sheet steel, galvanized |
| Housing material | Die-cast aluminum |
| Direction of rotation | Clockwise, viewed toward rotor |
| Degree of protection | IP44 |
| Insulation class | "B" |
| Moisture (F) / Environmental (H) protection class | F3-1 |
| Max. permitted ambient temp. for motor (transport/storage) | + 80 °C |
| Min. permitted ambient temp. for motor (transport/storage) | - 40 °C |
| Installation position | Any |
| Condensation drainage holes | On rotor side |
| Mode | S1 |
| Motor bearing | Ball bearing |
| Technical features | <ul style="list-style-type: none"> - Output 10 VDC, max. 1.1 mA - Tach output - Motor current limitation - Soft start - Set value input Lin 0-10 VDC / PWM (1.7 V corresponds to V=min, 10 V corresponds to V=max) - Control interface with SELV potential safely disconnected from supply - Thermal overload protection for motor |
| EMC immunity to interference | According to EN 61000-6-2 (industrial environment) |
| EMC circuit feedback | According to EN 61000-3-2/3 |
| EMC interference emission | According to EN 61000-6-3 (household environment) |
| Touch current according to IEC 60990 (measuring circuit Fig. 4, TN system) | <= 3.5 mA |
| Motor protection | Thermal overload protector (TOP) internally connected |
| With cable | Variable |
| Protection class | I (with customer connection of protective earth) |
| Conformity with standards | EN 60335-1 |



EC centrifugal fan

forward-curved, single-intake
with housing (flange)

Product drawing



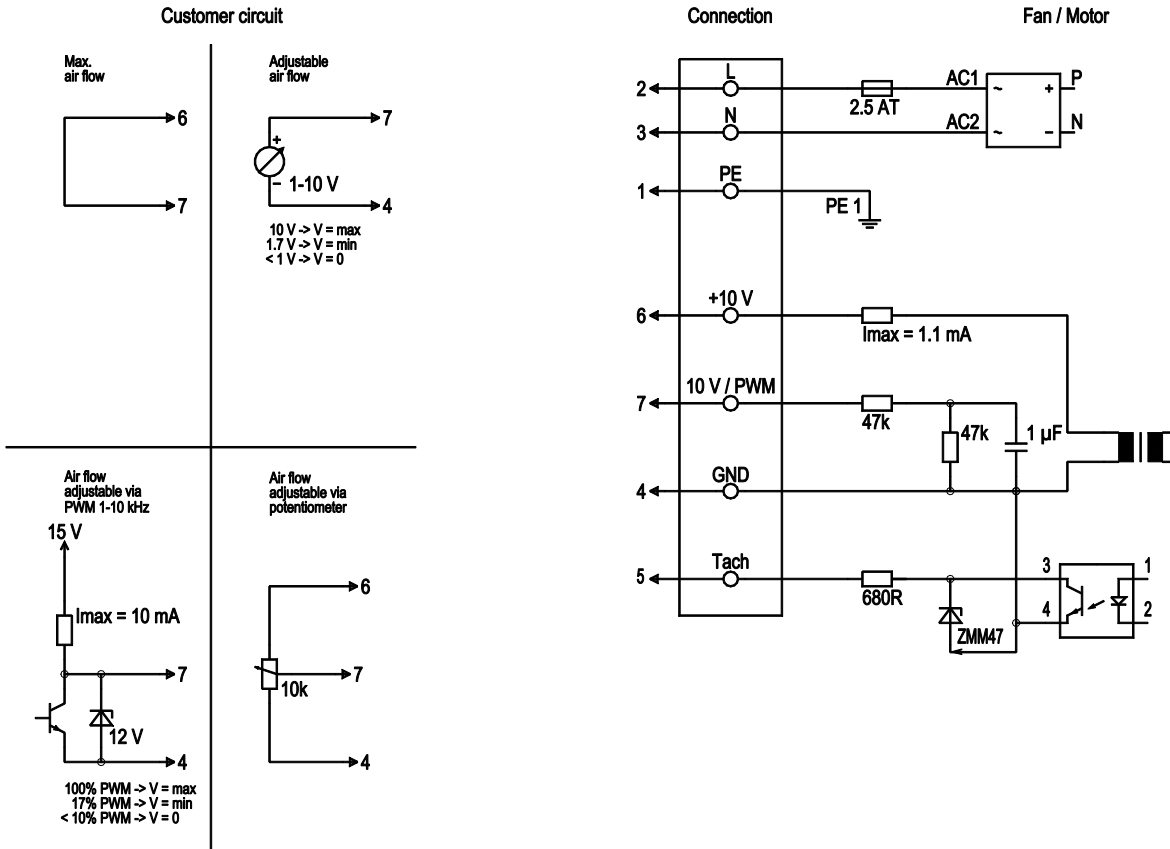
| | |
|-----|--|
| 1 | Cable PVC 3G 0.5 mm ² and PVC 4x 0.25 mm ² with connector housing Sto-Lock EH 712-009-003-960 |
| 1.1 | 0-10 V / PWM (yellow) |
| 1.2 | Tach output (white) |
| 1.3 | GND (blue) |
| 1.4 | +10 V (red) |
| 1.5 | PE (green/yellow) |
| 1.6 | N (blue) |
| 1.7 | L (brown) |
| 2 | Cable PVC 3G 0.5 mm ² and PVC 4x 0.25 mm ² with connector housing Sto-Lock EH 713-009-003-960, length 1800 mm, included separately |



EC centrifugal fan

forward-curved, single-intake
with housing (flange)

Connection diagram



| No. | Conn. | Designation | Color | Function/assignment |
|-----|-------|-------------|--------------|---|
| | 2 | L | brown | Power supply 230 VAC, 50-60 Hz, see nameplate for voltage range |
| | 3 | N | blue | Neutral conductor |
| | 1 | PE | green/yellow | Protective earth |
| | 7 | 0-10 V PWM | yellow | Control input 0-10 V or PWM, electrically isolated |
| | 5 | Tach | white | Tach output: open collector, 1 pulse per revolution, electrically isolated |
| | 6 | 10V | red | max. 1.1 mA, voltage output 10 V / 1.1 mA, electrically isolated, not short-circuit-proof |
| | 4 | GND | blue | GND connection for control interface |

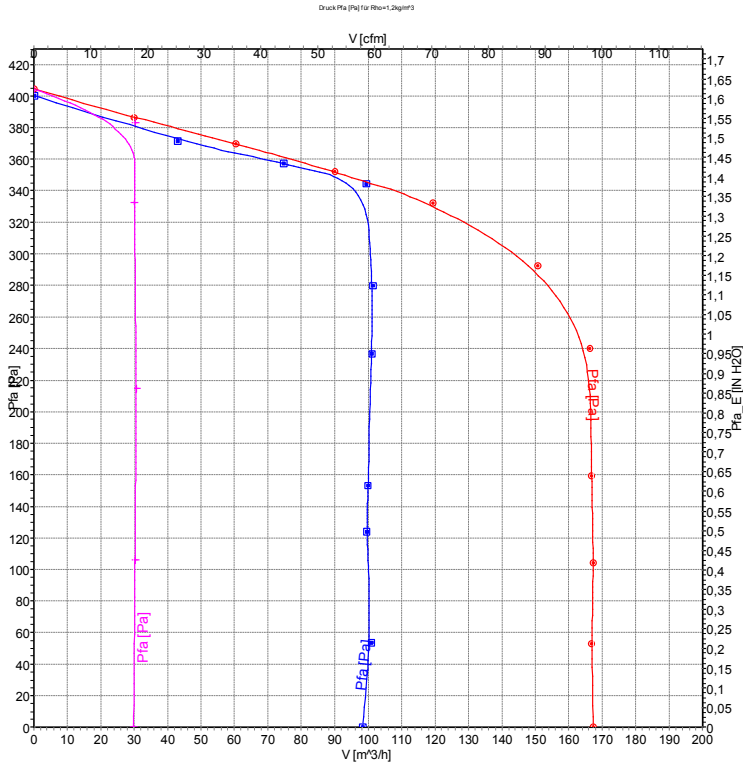


EC centrifugal fan

forward-curved, single-intake

with housing (flange)

Curves: Air performance 50 Hz



Measurement: LU-72587-1
 Measurement: LU-72588-1
 Measurement: LU-72589-1

Air performance measured according to ISO 5801 installation category A. For detailed information on the measurement setup, contact ebmpapst. Intake sound level: Sound power level according to ISO 13347 / sound pressure level measured at 1 m distance from fan axis. The values given are valid under the specified measuring conditions and may vary due to conditions of installation. For deviations from the standard configuration, the parameters have to be checked on the installed unit.

