

EC centrifugal fan

forward curved, single inlet

with housing (flange)

G3G120-BB19-13 ebmpapst Datasheet

sales@fansco.com

www.fansco.com

Limited partnership · Headquarters Muldingen
County court Stuttgart · HRA 590344

General partner Elektrobau Muldingen GmbH · Headquarters Muldingen
County court Stuttgart · HRB 590142

Nominal data

| | | |
|--------------------------|-------------------|-------|
| Type | G3G120-BB19-13 | |
| Motor | M3G055-BD | |
| Phase | | 1~ |
| Nominal voltage | VAC | 230 |
| Frequency | Hz | 50/60 |
| Type of data definition | | ml |
| Speed | min ⁻¹ | 2750 |
| Power input | W | 37 |
| Current draw | A | 0.3 |
| Min. ambient temperature | °C | -25 |
| Max. ambient temperature | °C | 60 |

ml = Max. load · me = Max. efficiency · fa = Running at free air · cs = Customer specs · cu = Customer unit
Subject to alterations



EC centrifugal fan

forward curved, single inlet
with housing (flange)

Technical features

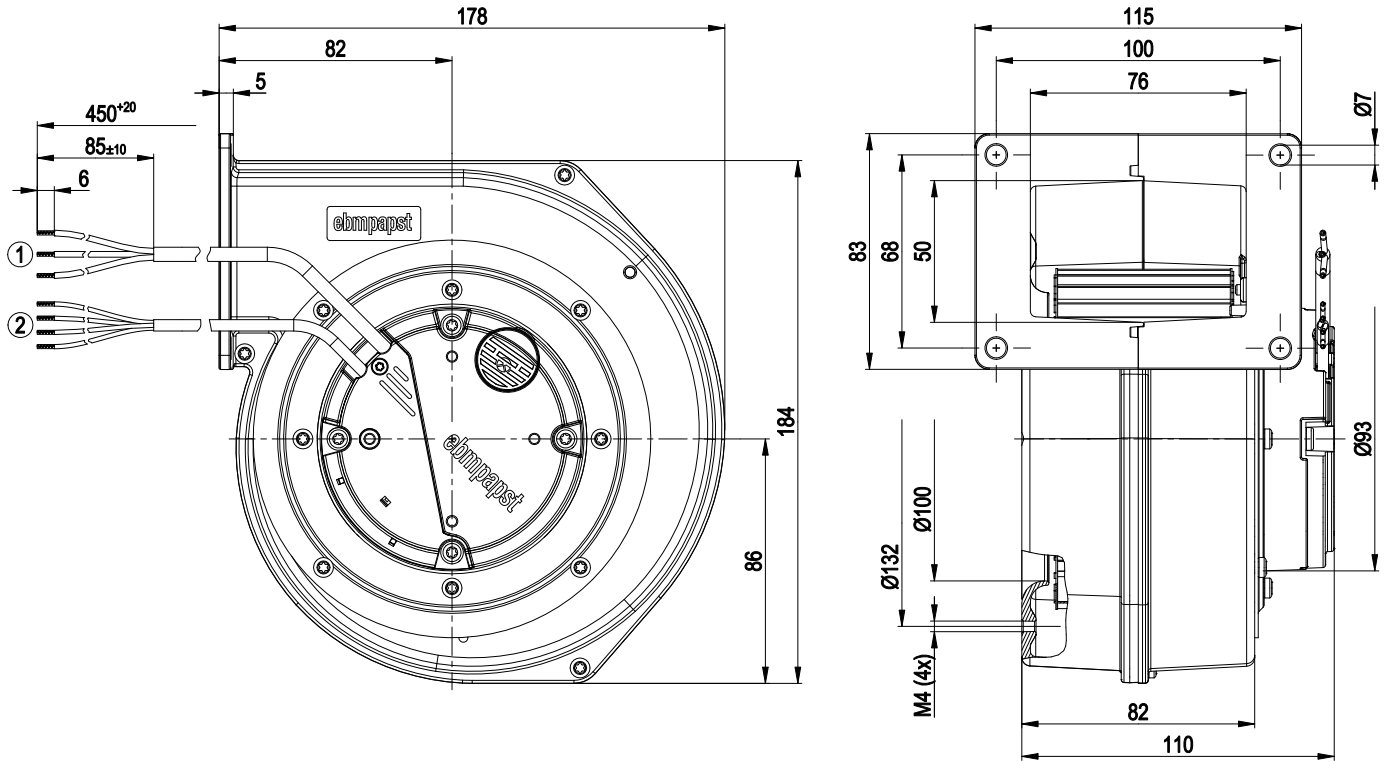
| | |
|---|--|
| Mass | 1.9 kg |
| Size | 120 mm |
| Surface of rotor | Thick layer passivated |
| Material of electronics housing | Die-cast aluminium |
| Material of impeller | Sheet steel, galvanised |
| Housing material | Die-cast aluminium |
| Direction of rotation | Clockwise, seen on rotor |
| Type of protection | IP 44 |
| Insulation class | "B" |
| Humidity class | F3-1 |
| Max. permissible ambient motor temp. (transp./ storage) | + 80 °C |
| Min. permissible ambient motor temp. (transp./storage) | - 40 °C |
| Mounting position | Any |
| Condensate discharge holes | Rotor-side |
| Operation mode | S1 |
| Motor bearing | Ball bearing |
| Technical features | <ul style="list-style-type: none"> - Output 10 VDC, max. 1.1 mA - Tach output - Motor current limit - Soft start - Set value input Lin 0-10 VDC / PWM (1.7 V corresponds to V=min, 10 V corresponds to V=max) - Control interface with SELV potential safely disconnected from the mains - Over-temperature protected motor |
| EMC interference immunity | Acc. to EN 61000-6-2 (industrial environment) |
| EMC harmonics | Acc. to EN 61000-3-2/3 |
| EMC interference emission | Acc. to EN 61000-6-3 (household environment) |
| Touch current acc. IEC 60990 (measuring network Fig. 4, TN system) | <= 3.5 mA |
| Motor protection | Thermal overload protector (TOP) wired internally |
| Cable exit | Variable |
| Protection class | I (if protective earth is connected by customer) |
| Product conforming to standard | EN 60335-1; CE |



EC centrifugal fan

forward curved, single inlet
with housing (flange)

Product drawing



- | | |
|---|--|
| 1 | Connection line PVC 3G 0.5 mm ² , 3x lead tips crimped |
| 2 | Connection line PVC 4x 0.25 mm ² , 4x lead tips crimped |

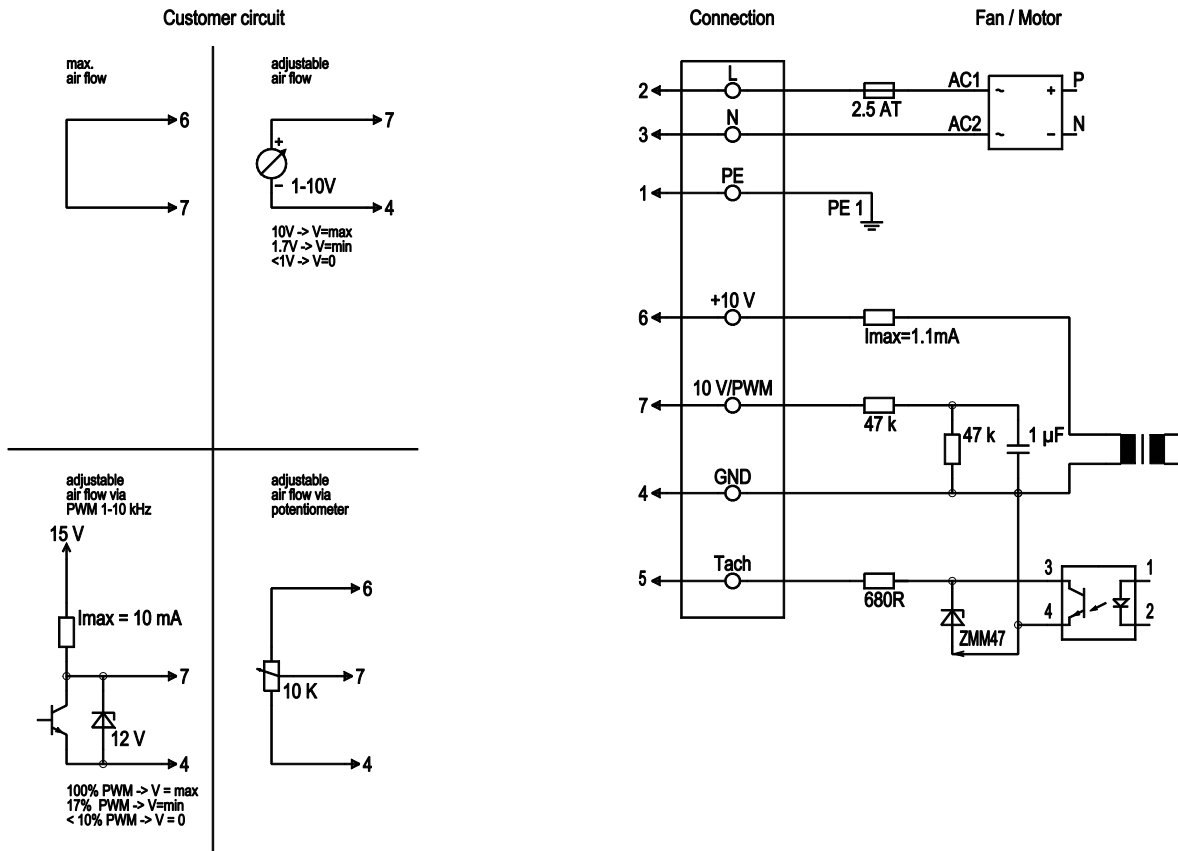


EC centrifugal fan

forward curved, single inlet

with housing (flange)

Connection screen



| No. | Conn. | Designation | Colour | Function / assignment |
|-----|-------|-------------|--------------|---|
| | 2 | L | brown | Power supply 230 VAC, 50-60 Hz, see type plate for voltage range |
| | 3 | N | blue | Neutral conductor |
| | 1 | PE | green/yellow | Protective earth |
| | 7 | 0-10 V PWM | yellow | Control input 0 - 10 V or PWM, electrically isolated |
| | 5 | Tach | white | Tach output: Open Collector, 1 pulse per revolution, electrically isolated |
| | 6 | 10V | red | max. 1.1 mA, voltage output 10 V/1.1 mA, electrically isolated, not short-circuit-proof |
| | 4 | GND | blue | GND - Connection for control interface |

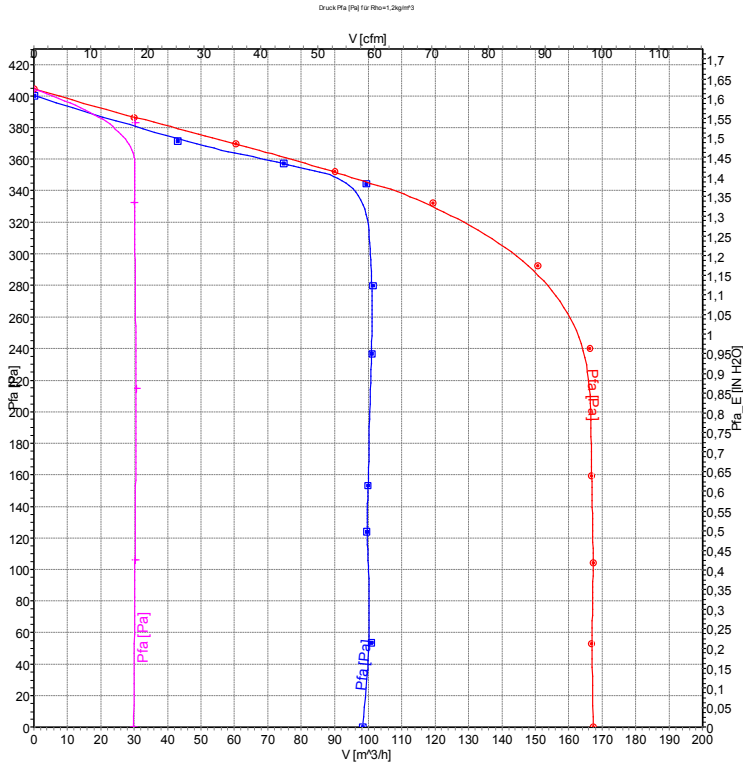


EC centrifugal fan

forward curved, single inlet

with housing (flange)

Charts: Air flow 50 Hz



Measurement: LU-72587
 Measurement: LU-72588
 Measurement: LU-72589

Air performance measured as per ISO 5801
 Installation category A. For detailed
 information on the measuring set-up, please
 contact ebm-papst. Suction-side noise
 levels: LwA measured as per ISO 13347 /
 LpA measured with 1m distance to fan axis.
 The values given are valid under the
 measuring conditions mentioned above and
 may vary according to the actual installation
 situation. With any deviation from the
 standard set-up, the specific values have to
 be checked and reviewed with the unit
 installed.

