

G3G120-BB19-12

EC centrifugal fan

forward-curved, single-intake

with housing (flange)



G3G120-BB19-12 ebmpapst Datasheet

sales@fansco.com

www.fansco.com

Limited partnership · Headquarters Mulfingen

Amtsgericht (court of registration) Stuttgart · HRA 590344

General partner Elektrobau Mulfingen GmbH · Headquarters Mulfingen

Amtsgericht (court of registration) Stuttgart · HRB 590142

Nominal data

Type	G3G120-BB19-12	
Motor	M3G055-BD	
Phase		1~
Nominal voltage	VAC	230
Frequency	Hz	50/60
Method of obtaining data		ml
Speed (rpm)	min ⁻¹	2750
Power consumption	W	37
Current draw	A	0.3
Min. ambient temperature	°C	-25
Max. ambient temperature	°C	60

ml = Max. load · me = Max. efficiency · fa = Free air · cs = Customer specification · ce = Customer equipment
Subject to change



EC centrifugal fan

forward-curved, single-intake
with housing (flange)

Technical description

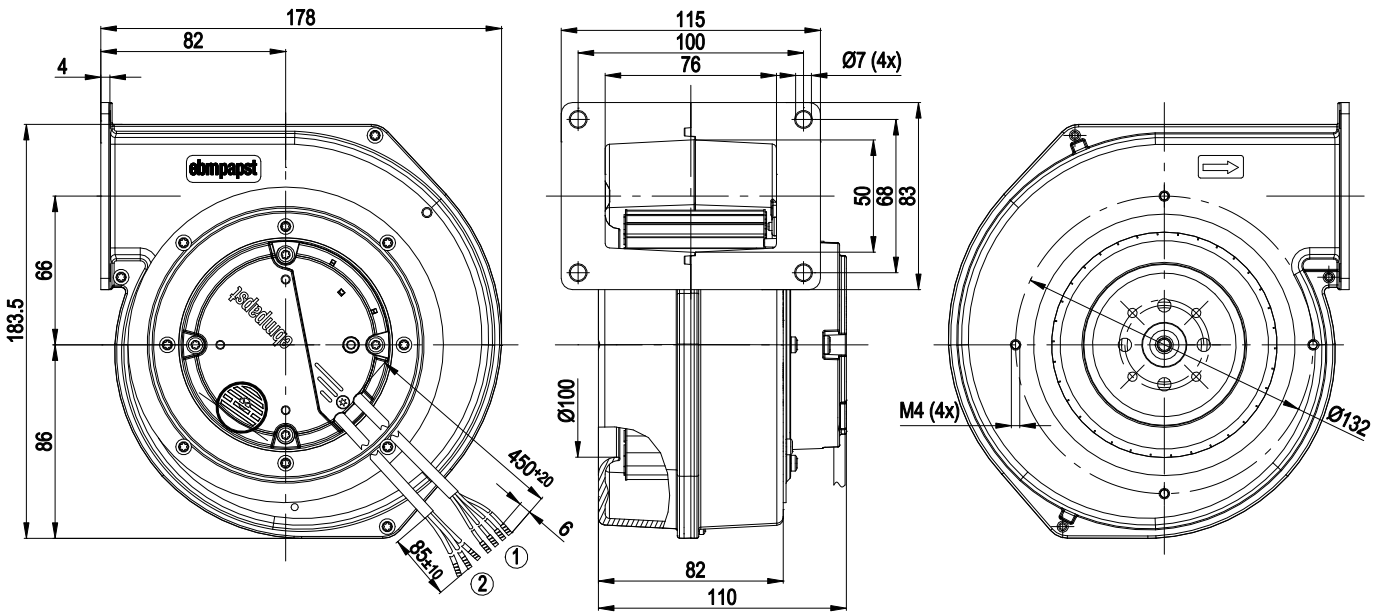
Weight	1.8 kg
Fan size	120 mm
Rotor surface	Thick-film passivated
Electronics housing material	Die-cast aluminum
Impeller material	Sheet steel, galvanized
Housing material	Die-cast aluminum
Direction of rotation	Clockwise, viewed toward rotor
Degree of protection	IP44
Insulation class	"B"
Moisture (F) / Environmental (H) protection class	F3-1
Max. permitted ambient temp. for motor (transport/storage)	+ 80 °C
Min. permitted ambient temp. for motor (transport/storage)	- 40 °C
Installation position	Any
Condensation drainage holes	On rotor side
Mode	S1
Motor bearing	Ball bearing
Technical features	<ul style="list-style-type: none"> - Output 10 VDC, max. 1.1 mA - Tach output - Motor current limitation - Soft start - Set value input Lin 0-10 VDC / PWM (1.7 V corresponds to V=min, 10 V corresponds to V=max) - Control interface with SELV potential safely disconnected from the mains - Thermal overload protection for motor
EMC immunity to interference	According to EN 61000-6-2 (industrial environment)
EMC circuit feedback	According to EN 61000-3-2/3
EMC interference emission	According to EN 61000-6-3 (household environment)
Touch current according to IEC 60990 (measuring circuit Fig. 4, TN system)	<= 3.5 mA
Motor protection	Thermal overload protector (TOP) internally connected
With cable	Variable
Protection class	I (with customer connection of protective earth)
Conformity with standards	EN 60335-1; CE
Approval	EAC



EC centrifugal fan

forward-curved, single-intake
with housing (flange)

Product drawing



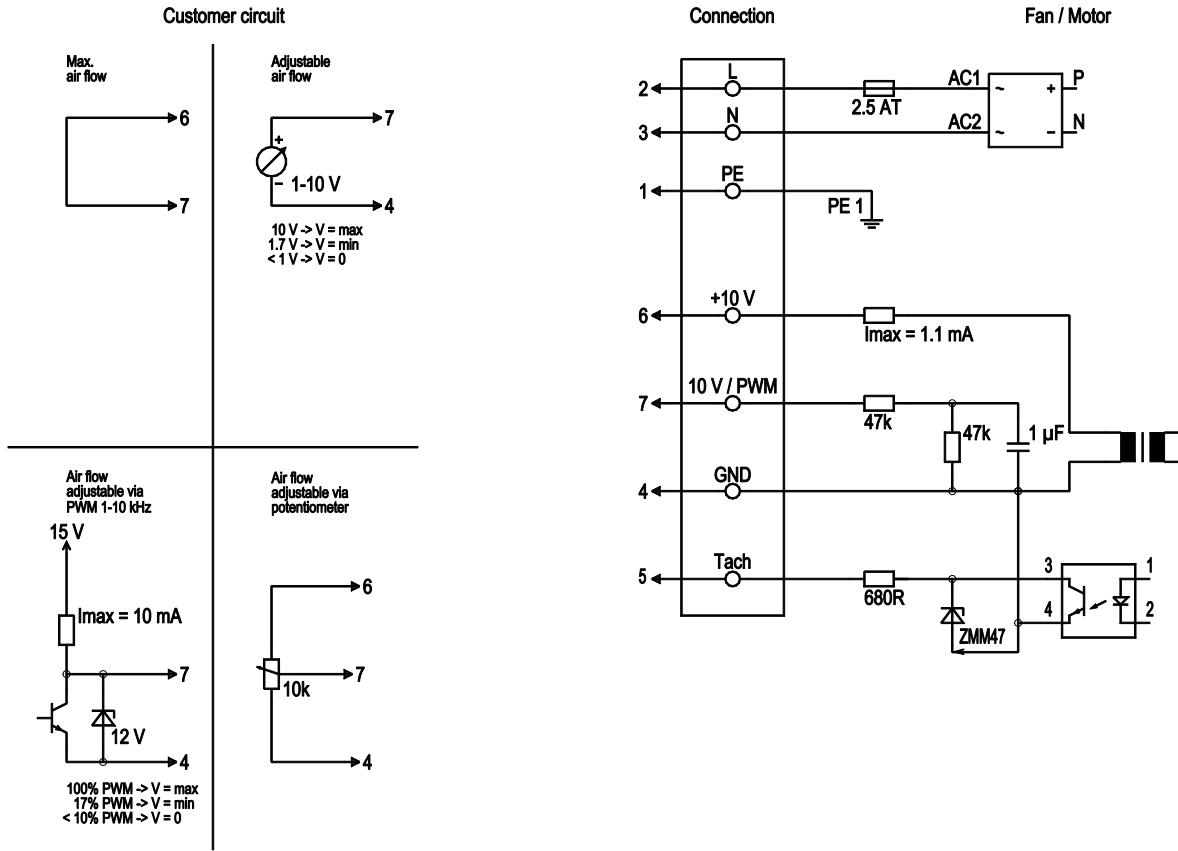
- | | |
|---|---|
| 1 | Cable A03VV-F4x0.25, 4x crimped splices |
| 2 | Cable H03VV-F3G, 3x crimped splices |



EC centrifugal fan

forward-curved, single-intake
with housing (flange)

Connection diagram



No.	Conn.	Designation	Color	Function/assignment
	2	L	brown	Power supply 230 VAC, 50-60 Hz, see nameplate for voltage range
	3	N	blue	Neutral conductor
	1	PE	green/yellow	Protective earth
	7	0-10 V PWM	yellow	Control input 0-10 V or PWM, electrically isolated
	5	Tach	white	Tach output: open collector, 1 pulse per revolution, electrically isolated
	6	10V	red	max. 1.1 mA, voltage output 10 V / 1.1 mA, electrically isolated, not short-circuit-proof
	4	GND	blue	GND connection for control interface

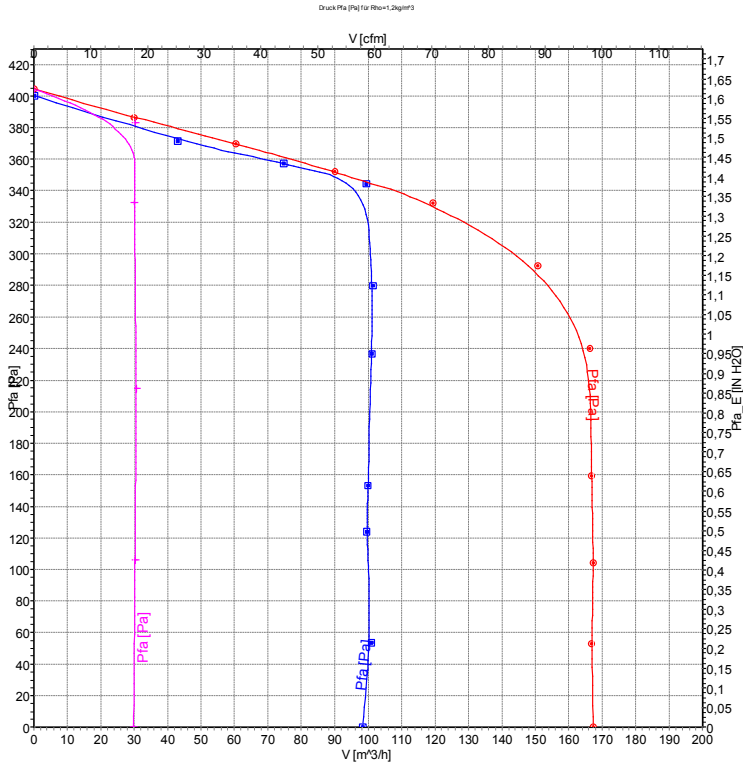


EC centrifugal fan

forward-curved, single-intake

with housing (flange)

Curves: Air performance 50 Hz



Measurement: LU-72587-1
 Measurement: LU-72588-1
 Measurement: LU-72589-1

Air performance measured according to ISO 5801 installation category A. For detailed information on the measurement setup, contact ebmpapst. Intake sound level: Sound power level according to ISO 13347 / sound pressure level measured at 1 m distance from fan axis. The values given are valid under the specified measuring conditions and may vary due to conditions of installation. For deviations from the standard configuration, the parameters have to be checked on the installed unit.

