

AC centrifugal fan

forward curved, single inlet
with housing (without flange)

G2S097-DB03-01 ebmpapst Datasheet
sales@fansco.com
www.fansco.com

Nominal data

Type	G2S097-DB03-01		
Motor	M2S042-BF		
Phase		1~	1~
Nominal voltage	VAC	230	230
Frequency	Hz	50	60
Type of data definition		fa	fa
Valid for approval / standard		CE	CE
Speed	min ⁻¹	1450	1150
Power input	W	25	23
Current draw	A	0.14	0.13
Min. back pressure	Pa	0	0
Min. ambient temperature	°C	-25	-25
Max. ambient temperature	°C	45	50

ml = Max. load · me = Max. efficiency · fa = Running at free air · cs = Customer specs · cu = Customer unit
Subject to alterations



AC centrifugal fan

forward curved, single inlet
with housing (without flange)

Technical features

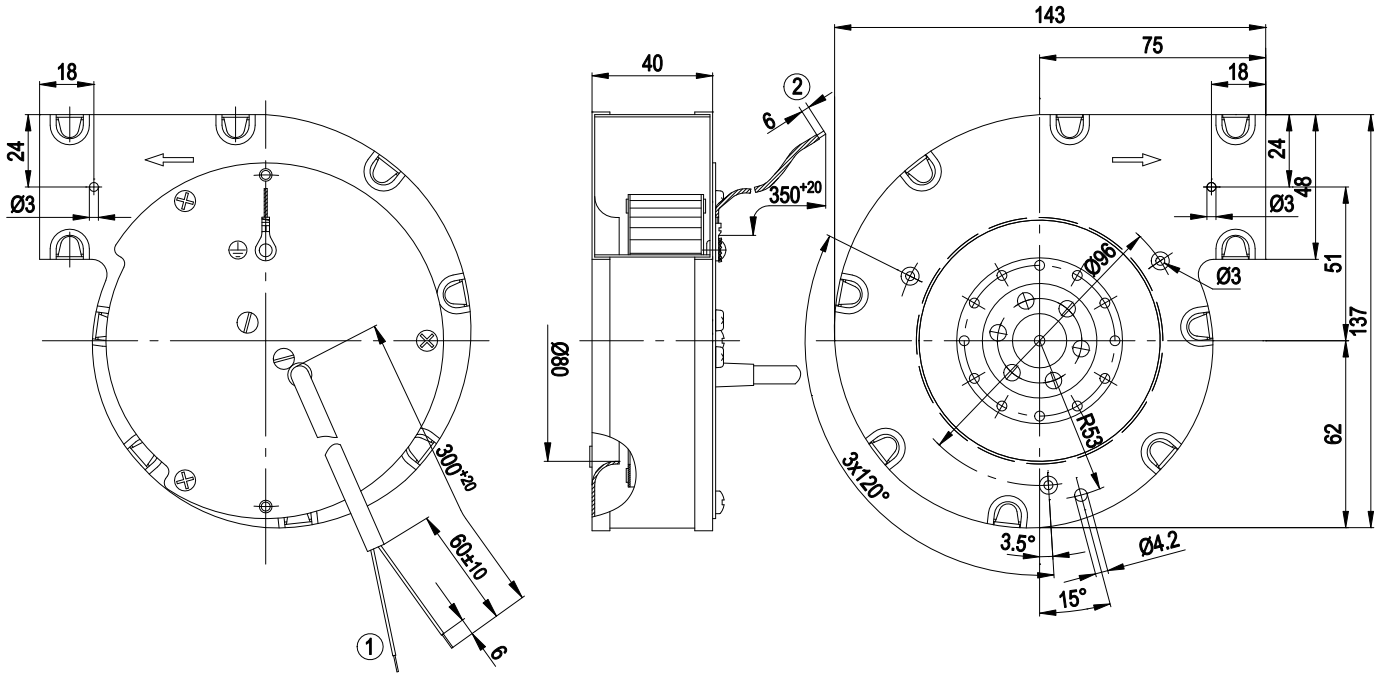
Mass	0.75 kg
Size	97 mm
Surface of rotor	Rotor open, coated in black
Material of impeller	Sheet steel, galvanised
Housing material	Sheet steel, galvanised
Material of mounting plate	Sheet steel, galvanised
Motor suspension	Motor mounted via mounting plate on one side
Direction of rotation	Clockwise, seen on rotor
Type of protection	IP 20
Insulation class	"F"
Max. permissible ambient motor temp. (transp./ storage)	+ 80 °C
Min. permissible ambient motor temp. (transp./storage)	- 40 °C
Mounting position	Any
Condensate discharge holes	None, open rotor
Operation mode	S1
Motor bearing	Ball bearing
Touch current acc. IEC 60990 (measuring network Fig. 4, TN system)	< 0.75 mA
Motor protection	Impedance protected
Protection class	I (if protective earth is connected by customer)
Product conforming to standard	EN 60335-1; CE



AC centrifugal fan

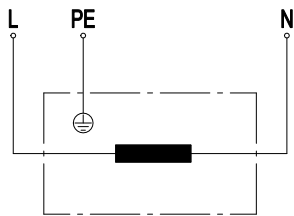
forward curved, single inlet
with housing (without flange)

Product drawing



- 1 Connector housing PVC 2 x 0.25 mm², tin-plated lead tips
- 2 Protective earth PVC 0.5 mm², tin-plated lead tip

Connection screen



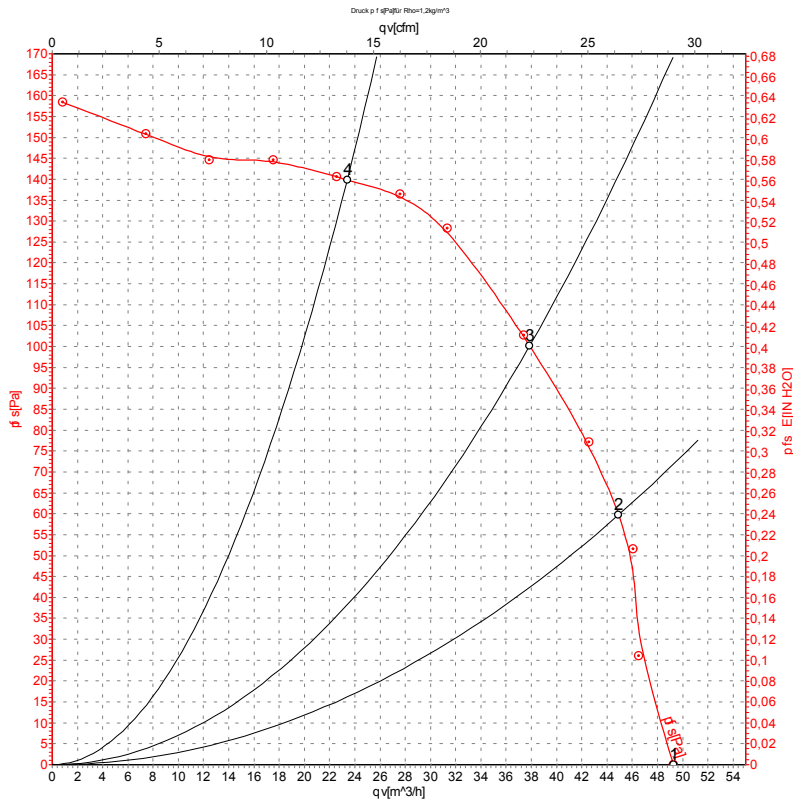
L	blue	PE	green/yellow	N	brown
---	------	----	--------------	---	-------



AC centrifugal fan

forward curved, single inlet
with housing (without flange)

Charts: Air flow 50 Hz



Measurement: LU-47082

Air performance measured as per ISO 5801 Installation category A. For detailed information on the measuring set-up, please contact ebmpapst. Suction-side noise levels: LwA measured as per ISO 13347 / LpA measured with 1m distance to fan axis. The values given are valid under the measuring conditions mentioned above and may vary according to the actual installation situation. With any deviation from the standard set-up, the specific values have to be checked and reviewed with the unit installed.

Measured values

	U	f	n	P _e	I	qv	P _{fs}
	V	Hz	min ⁻¹	W	A	m ³ /h	Pa
1	230	50	1450	25	0.14	50	0
2	230	50	1880	23	0.13	45	60
3	230	50	2195	22	0.12	40	100
4	230	50	2470	20	0.11	25	140

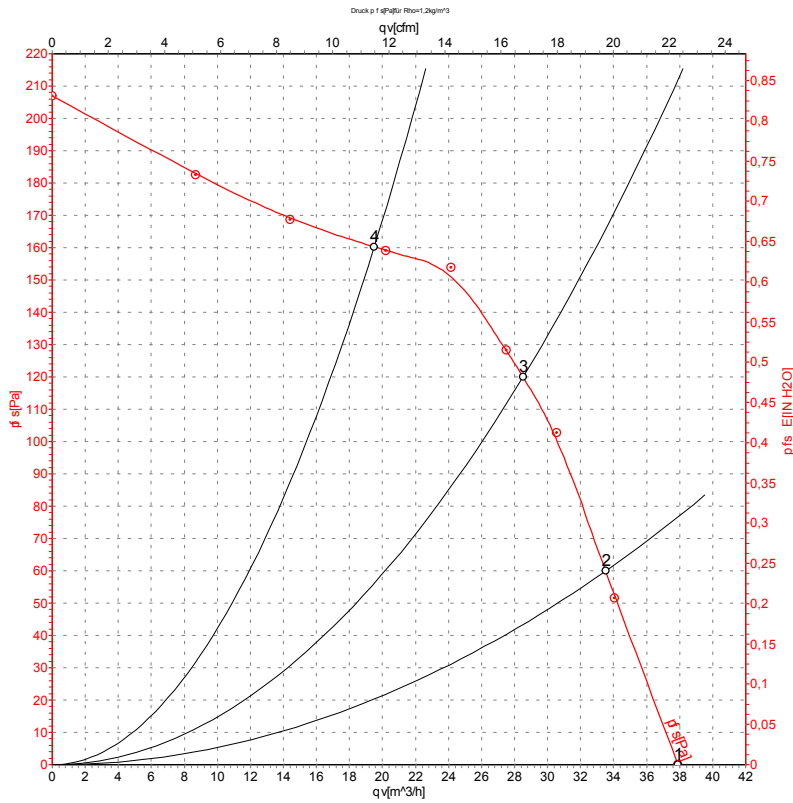
U = Supply voltage · f = Frequency · n = Speed · P_e = Power input · I = Current draw · qv = Air flow · P_{fs} = Pressure increase



AC centrifugal fan

forward curved, single inlet
with housing (without flange)

Charts: Air flow 60 Hz



Measurement: LU-47083

Air performance measured as per ISO 5801 Installation category A. For detailed information on the measuring set-up, please contact ebm-papst. Suction-side noise levels: L_{WA} measured as per ISO 13347 / L_{pA} measured with 1m distance to fan axis. The values given are valid under the measuring conditions mentioned above and may vary according to the actual installation situation. With any deviation from the standard set-up, the specific values have to be checked and reviewed with the unit installed.

Measured values

	U	f	n	P _e	I	qv	P _{fs}
	V	Hz	min ⁻¹	W	A	m ³ /h	Pa
1	230	60	1150	23	0.13	40	0
2	230	60	1715	21	0.12	35	60
3	230	60	2305	20	0.11	30	120
4	230	60	2705	19	0.10	20	160

U = Supply voltage · f = Frequency · n = Speed · P_e = Power input · I = Current draw · qv = Air flow · P_{fs} = Pressure increase

