

G2G097-AA16-01 ebmpapst Datasheet FansCo

sales@fansco.com

www.fansco.com

Nominal data

Type	G2G097-AA16-01	
Motor	M2G045-BF	
Nominal voltage	VDC	24
Nominal voltage range	VDC	16 .. 28
Method of obtaining data		fa
Status		prelim.
Speed (rpm)	min ⁻¹	2450
Power consumption	W	18
Min. back pressure	Pa	0
Min. back pressure	inH ₂ O	0
Min. ambient temperature	°C	-25
Max. ambient temperature	°C	60

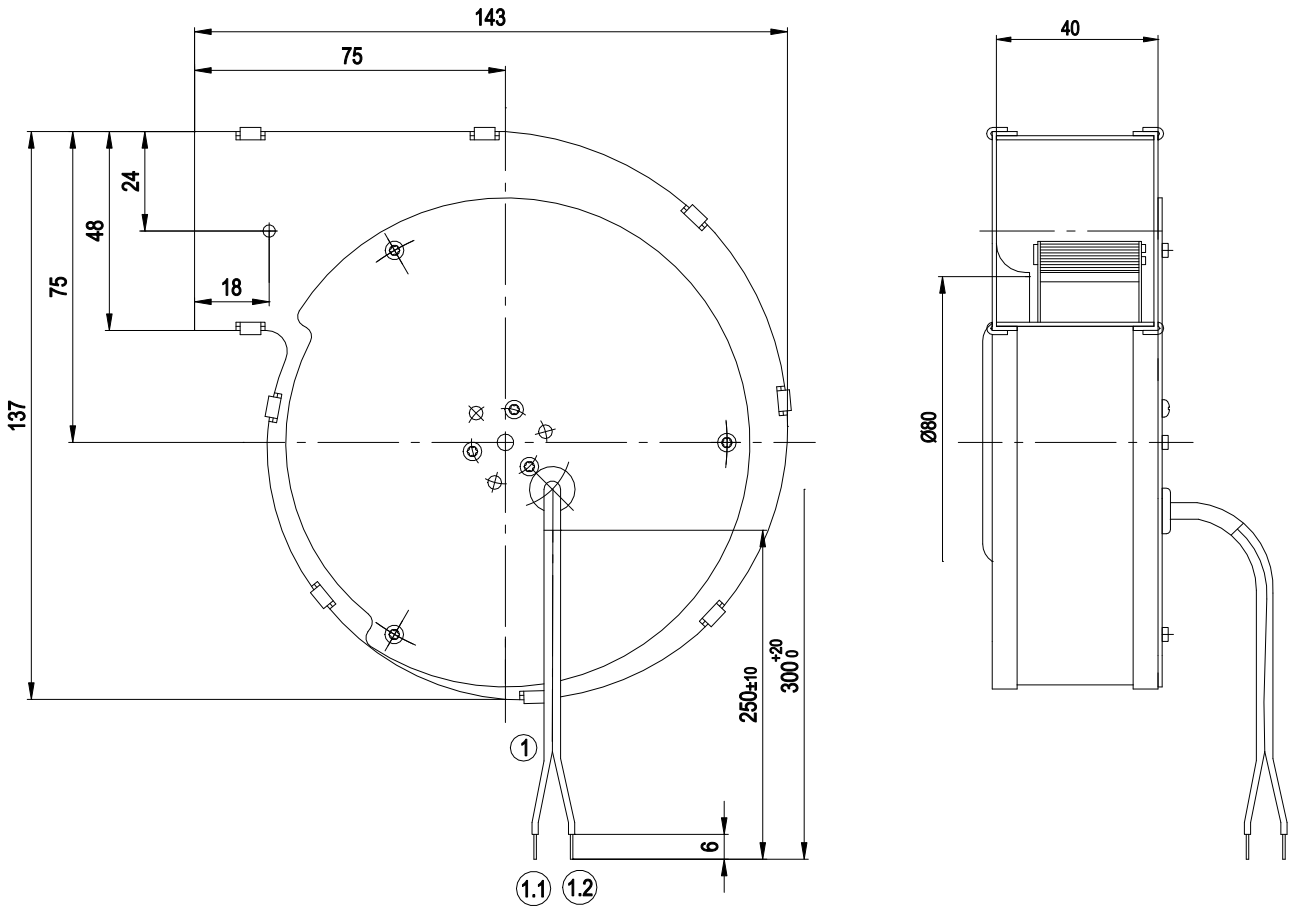
ml = Max. load · me = Max. efficiency · fa = Free air · cs = Customer specification · ce = Customer equipment
 Subject to change



Technical description

Weight	0.7 kg
Fan size	97 mm
Rotor surface	Thick-film passivated
Impeller material	Sheet steel, galvanized
Housing material	Die-cast aluminum
Direction of rotation	Clockwise, viewed toward rotor
Degree of protection	IP22
Insulation class	"B"
Max. permitted ambient temp. for motor (transport/storage)	+ 80 °C
Min. permitted ambient temp. for motor (transport/storage)	- 40 °C
Installation position	Any
Condensation drainage holes	None
Mode	S1
Motor bearing	Ball bearing
Motor protection	Reverse polarity and locked-rotor protection
With cable	Axial
Conformity with standards	EN 60950-1

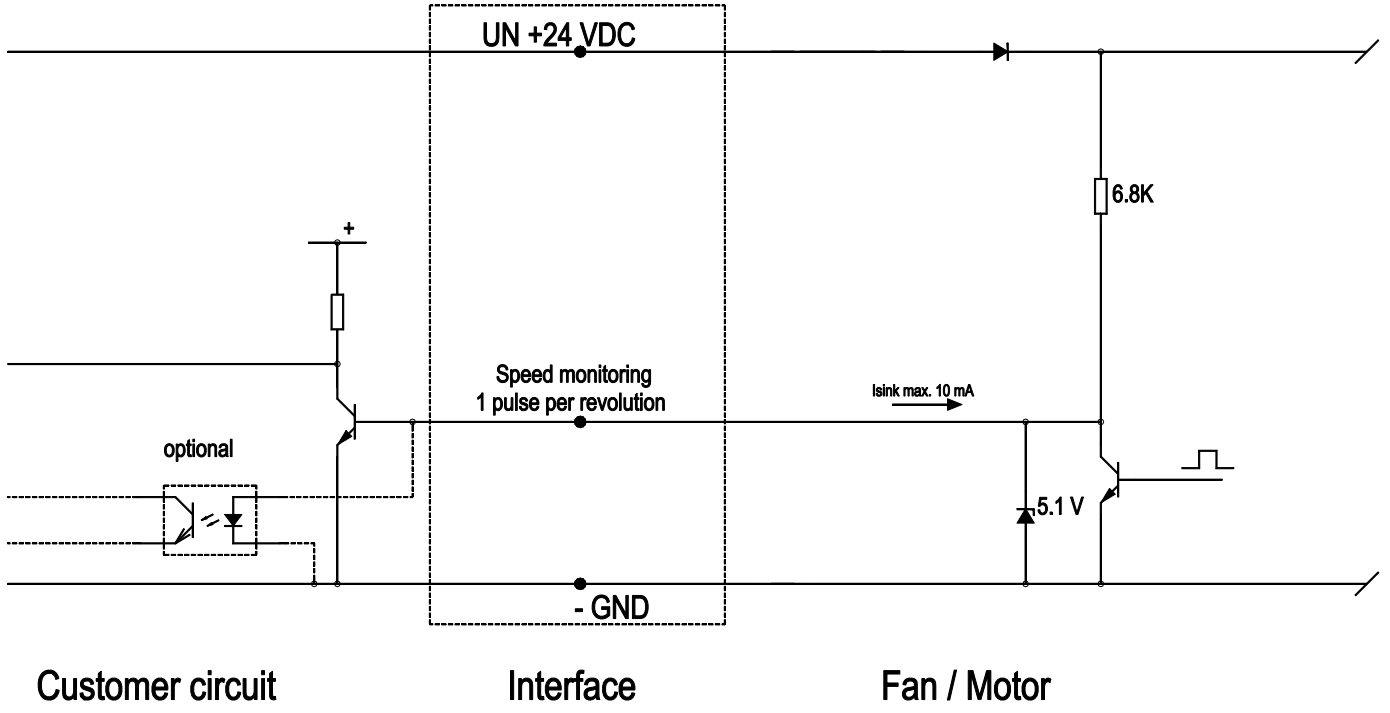
Product drawing



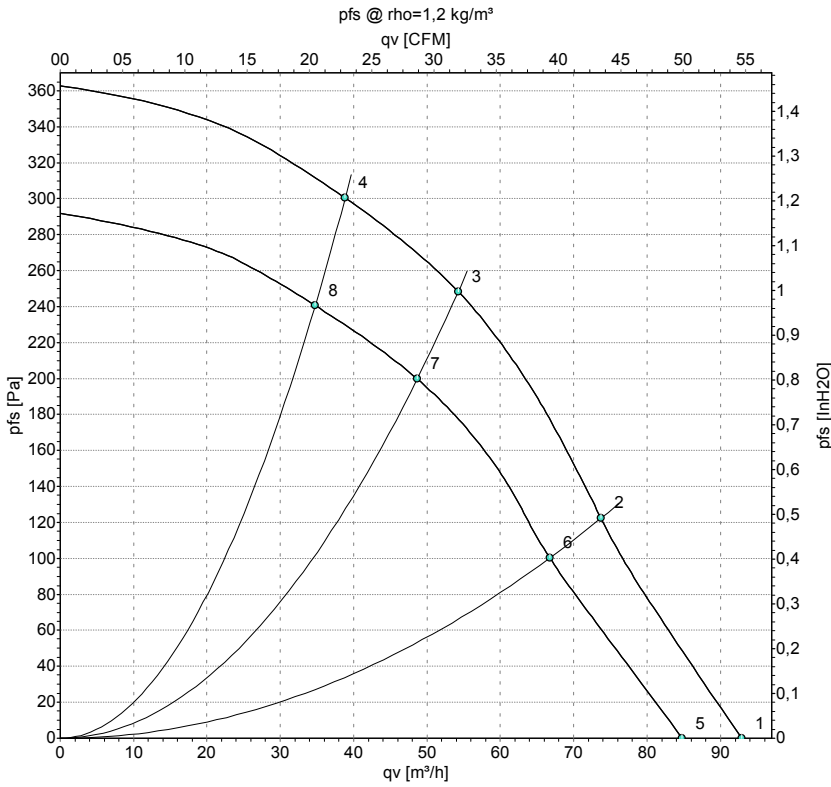
1	Cable PVC AWG22, 2x tin-plated wire ends
1.1	UN +24 VDC (red)
1.2	GND (blue)



Connection diagram



Curves: Air performance



Measurement: LU-11904-1
Measurement: LU-11903-1

Air performance measured according to ISO 5801 installation category A. For detailed information on the measurement setup, contact ebm-papst. Intake sound level: Sound power level according to ISO 13347 / sound pressure level measured at 1 m distance from fan axis. The values given are valid under the specified measuring conditions and may vary due to conditions of installation. For deviations from the standard configuration, the parameters have to be checked on the installed unit.

Measured values

	U	n	P _{ed}	I	qv	p _{fs}	qv	p _{fs}
	V	min ⁻¹	W	A	m ³ /h	Pa	CFM	inH2O
1	28	2665	25	0.91	95	0	55	0.00
2	28	2915	22	0.77	75	122	45	0.49
3	28	3245	18	0.63	55	250	30	1.00
4	28	3480	15	0.54	40	302	25	1.21
5	24	2450	18	0.74	85	0	50	0.00
6	24	2690	15	0.63	65	100	40	0.40
7	24	2965	13	0.53	50	200	30	0.80
8	24	3160	11	0.45	35	240	20	0.96

U = Power supply · n = Speed (rpm) · P_{ed} = Power consumption · I = Current draw · qv = Air flow · p_{fs} = Pressure increase

