

AC centrifugal fan

forward curved, single inlet

with housing (flange)

G2E146-DW07-10 ebmpapst Datasheet

sales@fansco.com

www.fansco.com

Nominal data

Type	G2E146-DW07-10				
Motor	M2E068-CA				
Phase		1~	1~	1~	1~
Nominal voltage	VAC	230	230	240	240
Frequency	Hz	50	60	50	60
Type of data definition		rfa	ml	ml	ml
Valid for approval / standard		CE	CE	CE	CE
Speed	min ⁻¹	1550	1750	1775	2150
Power input	W	140	155	130	140
Current draw	A	0.62	0.68	0.55	0.59
Motor capacitor	µF	3	3	2.5	2.5
Capacitor voltage	VDB	450	450	450	450
Capacitor standard		P0 (CE)	P0 (CE)	P0 (CE)	P0 (CE)
Min. back pressure	Pa	0	100	50	250
Min. ambient temperature	°C	-25	-25	-25	-25
Max. ambient temperature	°C	45	30	45	45

ml = max. load · me = max. efficiency · rfa = running at free air · cs = customer specs · cu = customer unit
Subject to alterations



AC centrifugal fan

forward curved, single inlet
with housing (flange)

Technical features

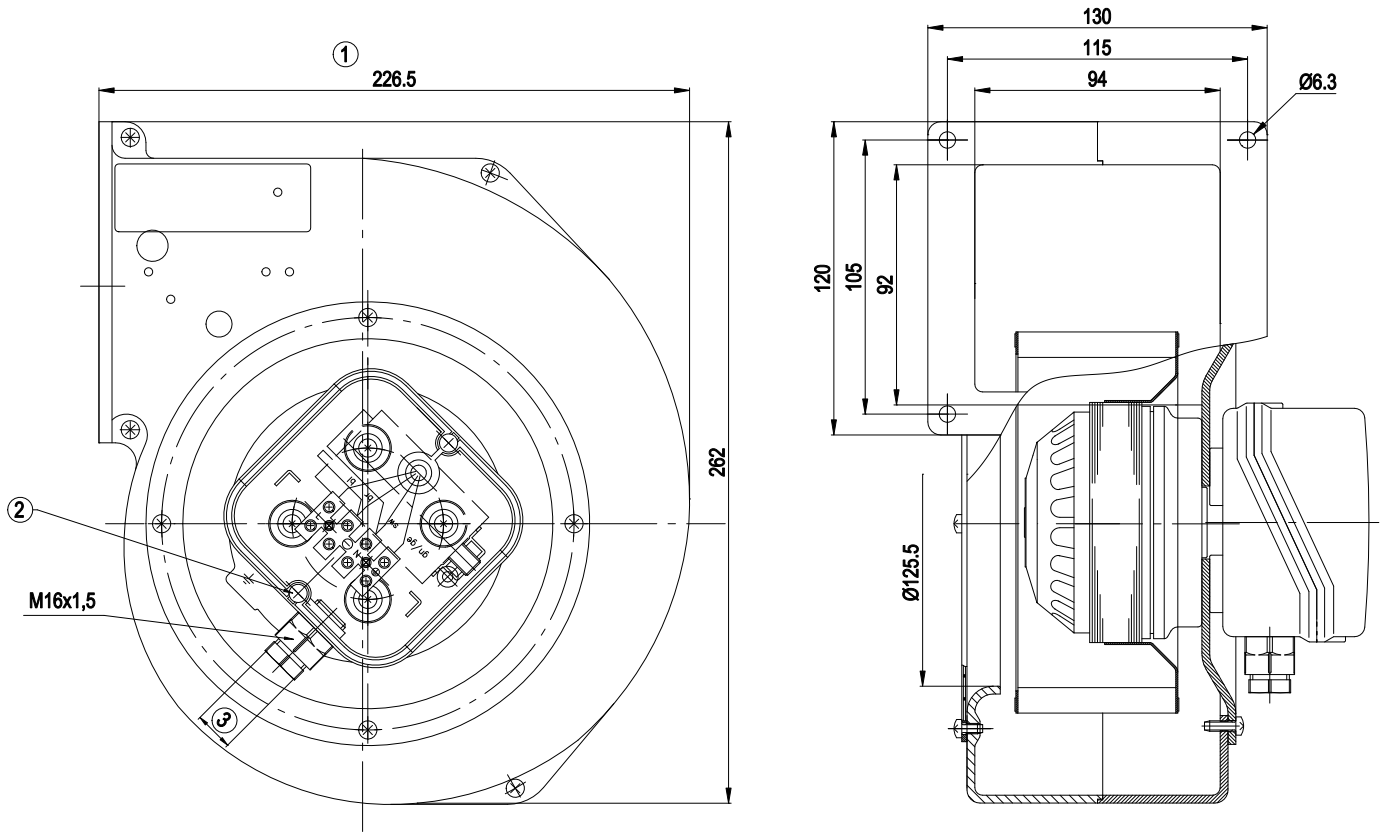
Mass	3.1 kg
Size	146 mm
Surface of rotor	Coated in black
Material of impeller	Sheet steel, sendzimir galvanised
Housing material	Die-cast aluminium
Direction of rotation	Clockwise, seen on rotor
Type of protection	IP 54
Insulation class	"B"
Humidity class	F5
Max. permissible ambient motor temp. (transp./ storage)	+ 80 °C
Min. permissible ambient motor temp. (transp./storage)	- 40 °C
Mounting position	Shaft horizontal
Condensate discharge holes	None
Operation mode	S1
Motor bearing	Ball bearing
Leakage current	< 0.75 mA
Electrical leads	Via terminal box, integrated capacitor connected via terminal box
Motor protection	Thermal overload protector (TOP) wired internally
Protection class	I
Product conforming to standard	EN 60335-1; CE
Approval	CCC



AC centrifugal fan

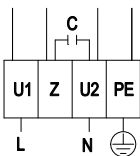
forward curved, single inlet
with housing (flange)

Product drawing



1	Illustration without terminal box cover
2	Tightening torque 0.8 Nm
3	Cable diameter max. 7.5 mm; tightening torque 2 Nm

Connection screen



L	= U1 = blue	Z	brown	N	= U2 = black
PE	green/yellow				

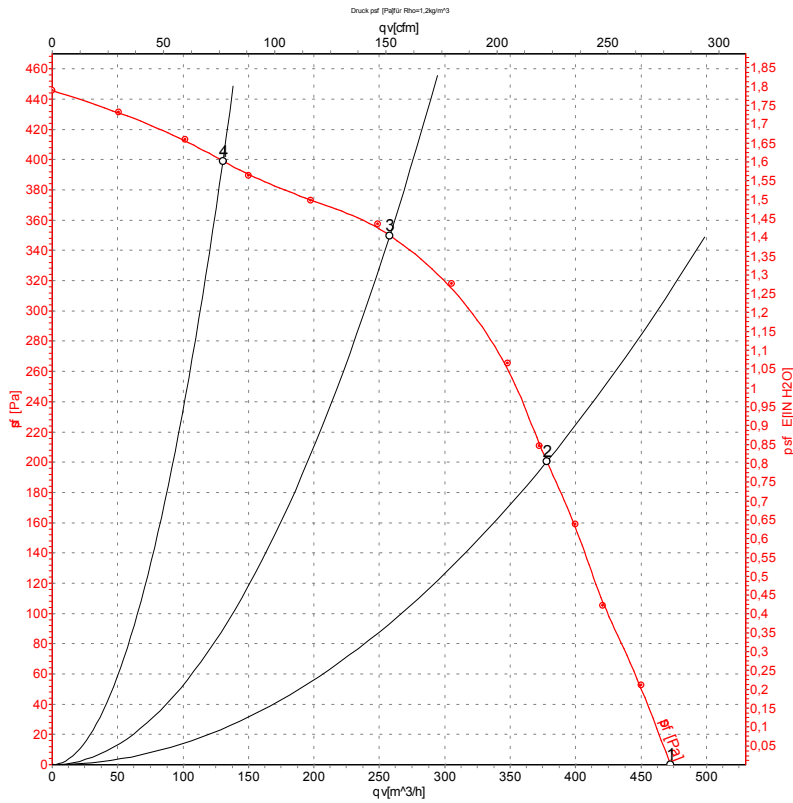


AC centrifugal fan

forward curved, single inlet

with housing (flange)

Charts: Air flow 50 Hz



Measurement: LU-105087

Air performance measured as per ISO 5801 Installation category A. For detailed information on the measuring set-up, please contact ebm-papst. Suction-side noise levels: LwA measured as per ISO 13347 / LpA measured with 1m distance to fan axis. The values given are valid under the measuring conditions mentioned above and may vary according to the actual installation situation. With any deviation from the standard set-up, the specific values have to be checked and reviewed with the unit installed.

Measured values

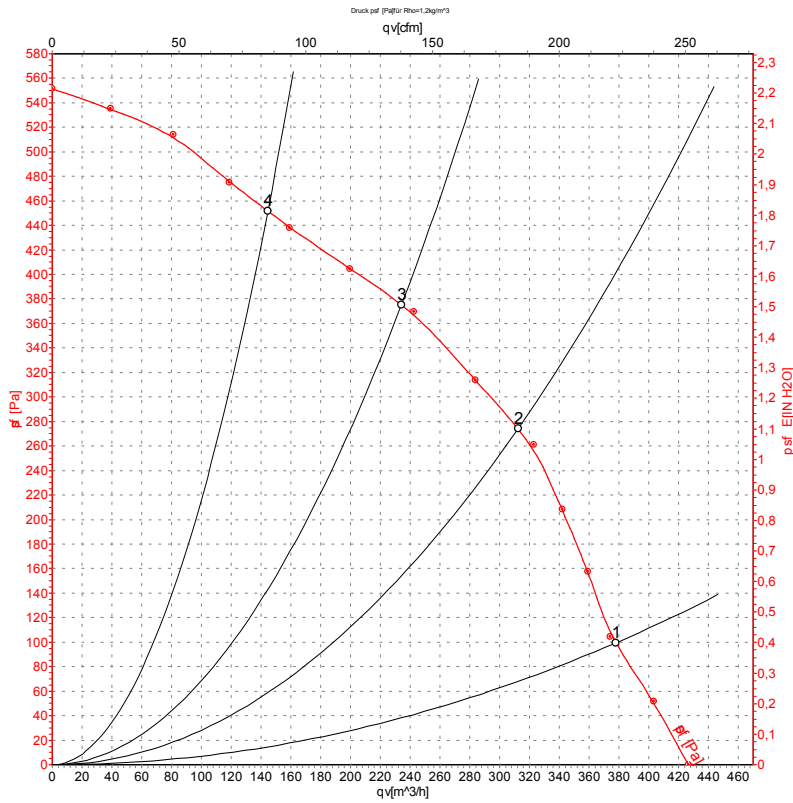
	U	f	n	P _e	I	qv	p _{sf}
	V	Hz	min ⁻¹	W	A	m ³ /h	Pa
1	230	50	1550	140	0.62	475	0
2	230	50	2035	122	0.53	380	200
3	230	50	2395	104	0.45	260	351
4	230	50	2605	91	0.40	130	399



AC centrifugal fan

forward curved, single inlet
with housing (flange)

Charts: Air flow 60 Hz



Measurement: LU-105090

Air performance measured as per ISO 5801 Installation category A. For detailed information on the measuring set-up, please contact ebm-papst. Suction-side noise levels: L_{wA} measured as per ISO 13347 / L_{pA} measured with 1m distance to fan axis. The values given are valid under the measuring conditions mentioned above and may vary according to the actual installation situation. With any deviation from the standard set-up, the specific values have to be checked and reviewed with the unit installed.

Measured values

	U	f	n	P _e	I	qv	p _{sf}
	V	Hz	min ⁻¹	W	A	m ³ /h	Pa
1	230	60	1750	155	0.68	380	97
2	230	60	2145	144	0.62	310	275
3	230	60	2500	137	0.59	235	376
4	230	60	2775	130	0.57	145	452

